



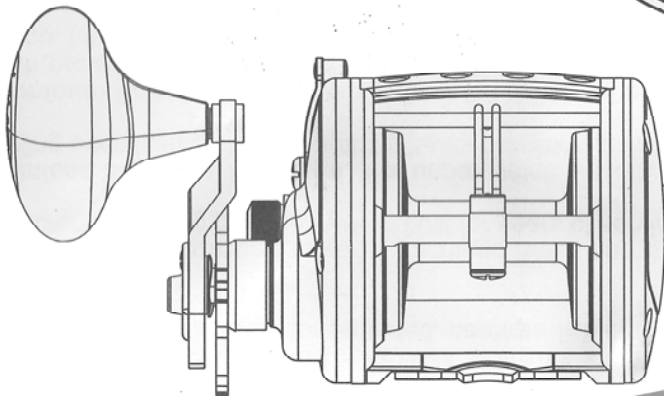
Please visit our website www.pennreels.com for warranty information

For non-warranty service to your PENN reel, simply return the reel with a brief note describing the service you want performed. Available on the PENN website (www.pennreels.com) is a repair form that we suggest is completed and returned with each reel for more efficient processing. PENN strives to complete all repairs in a timely manner. PENN will not initiate service until a means of payment is arranged. Accepted means of payment include only the following credit cards: Mastercard, Visa, American Express, and Discover. COD, personal checks, or cash are not accepted.

WARRANTY AND NON-WARRANTY SERVICE



DEFIANCE™ LEVEL WIND & STAR DRAG



CARE AND LUBRICATION

Your PENN Reel is quality manufactured for maximum durability. Like any other precision-made piece of equipment, reasonable care will ensure peak performance and longevity. After each fishing trip, the reel should be cleaned with a soap solution and fresh water, preferably warm, to remove any accumulated salt deposits. When washing the reel, use caution not to use a driving force of water, since the water pressure will force salt deposits and/or sand into the reel. A very fine spray will help dissolve the salt on the external parts of the reel and rinse from the reel. Dry excess moisture from the reel and then sparingly lubricate all exposed areas. A good practice is to spray a rag with a pressurized spray lubricant and wipe down the reels with the rag. Your reel should be stored in a cool, dry place. Do not store in a plastic bag, as condensation may develop. Periodically examine your reel and tighten loose screws and fittings. Depending upon use, your reel should be overhauled at least once every season. Frictional points in the reel should be frequently lubricated, and for best results use PENN lubricant. PENN's lube is the right formula, designed specifically for PENN Reels. Keep in mind, that a few drops of oil is usually sufficient. Major points for external lubrication include: Handle knob, eccentric lever, clicker button, and level wind.

HOW TO ORDER PENN REEL PARTS

1. Call the PENN Parts Department at (800) 892-5444 between 8:30 am and 4:30 pm U.S. East Coast time to order your PENN Parts over the telephone. Accepted means of payment include only the following credit cards: Mastercard, Visa, American Express, and Discover. COD, personal checks, or cash are not accepted.

2. PENN Parts may also be ordered through PENN's local dealer network. Check your telephone directory for a PENN Dealer near you, or visit PENN's website at www.pennreels.com to locate a nearby dealer.

PENN Fishing Tackle Mfg. Co. reserves the right to discontinue models and make changes in design specifications without notice. PENN's policy of ongoing research may necessitate design changes for Product performance improvement.

**Order Parts Online! ~ We ship to entire USA
and some International locations**

www.PENNparts.com

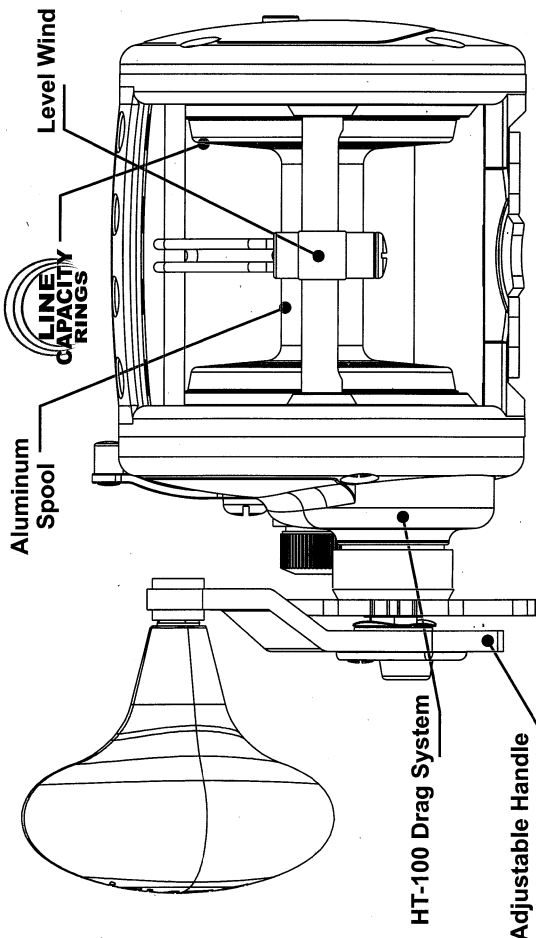
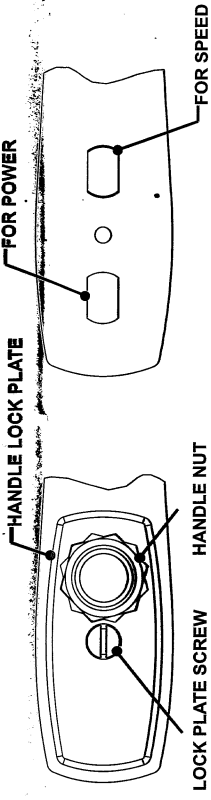
DEFIANCE INTRODUCTION

Congratulations on the purchase of your new PENN reel. Each PENN reel is constructed using only the highest quality components, tapping into PENN's 75-plus years of reel building experience.

Some features found on the PENN Reels are highlighted throughout this manual. Also found in this manual are tips for basic maintenance and upkeep of your new fishing reel. On behalf of the entire company, PENN would like to thank you for the purchase of our quality fishing reel.

HANDLE LENGTH ADJUSTMENT INSTRUCTIONS

The length of the Defiance Star Drag handle can be adjusted in order to vary the amount of torque that can be applied to the reel. The longer handle position will reduce the force needed to turn the handle, but will reduce the speed that the handle can be turned. To change the handle position first remove the lock plate screw and then the handle lock plate. Next remove the handle nut and shift the gear stud to the alternate position in the handle blank. Replace the handle nut and tighten until is snug on the handle blank. Be sure that the threads are aligned by checking that the nut is straight, as it is easy to misalign them because the stud threads are interrupted by flats. Check the orientation of the handle lock screw holes in the handle and lock plate and tighten the handle nut as needed to align the two holes. Be careful not to overtighten the handle nut. Replace the lock plate screw.



LEVEL WIND

FEATURES

One-Piece Graphite Frame. Graphite composite construction creates a unified frame that is not only light, but incredibly strong. Precision one piece design makes for perfect spool alignment.

Stainless Steel Level Wind. PENN's stainless steel, positive level wind device evenly spools line on reel for repeated, carefree fishing. Line pays out evenly when free spooling.

Proven Penn Gearing. Precision machined Brass and Stainless Steel gears create an incredibly strong gearing system built for years of service and performance.

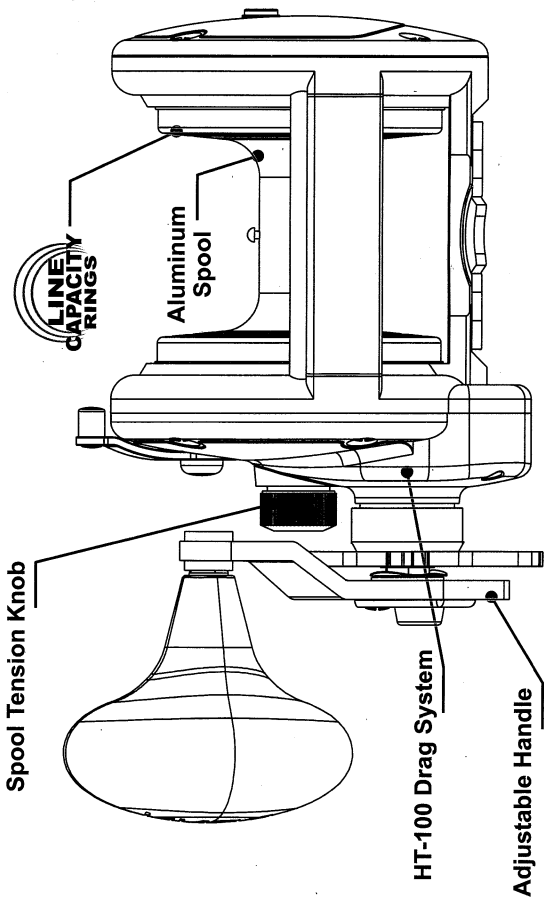
Stainless Steel Ball Bearings. For unparalleled smoothness in casting, reeling and battling oversized gamefish, nothing beats precision stainless steel ball bearings.

Aluminum Spool. The aluminum spool is lightweight and strong, and the anodized finish provides the ultimate in corrosion resistance for season after season of hard fishing. Line capacity rings included.

Handle. A Soft-Grip handle knob on the Defiance is comfortable for lengthy battles. The Soft-Grip handle provides a secure grip, even when hands are wet.

HT100 Drag Washers. Drag washers of the best material available are incorporated into a system designed to produce a strong and durable drag that is also incredibly smooth at any setting.

Other Quality Features. Stainless steel reel stand and a molded-graphite, one-piece rod clamp combine for an extra measure of strength and security of joining reel to rod.



STAR DRAG