

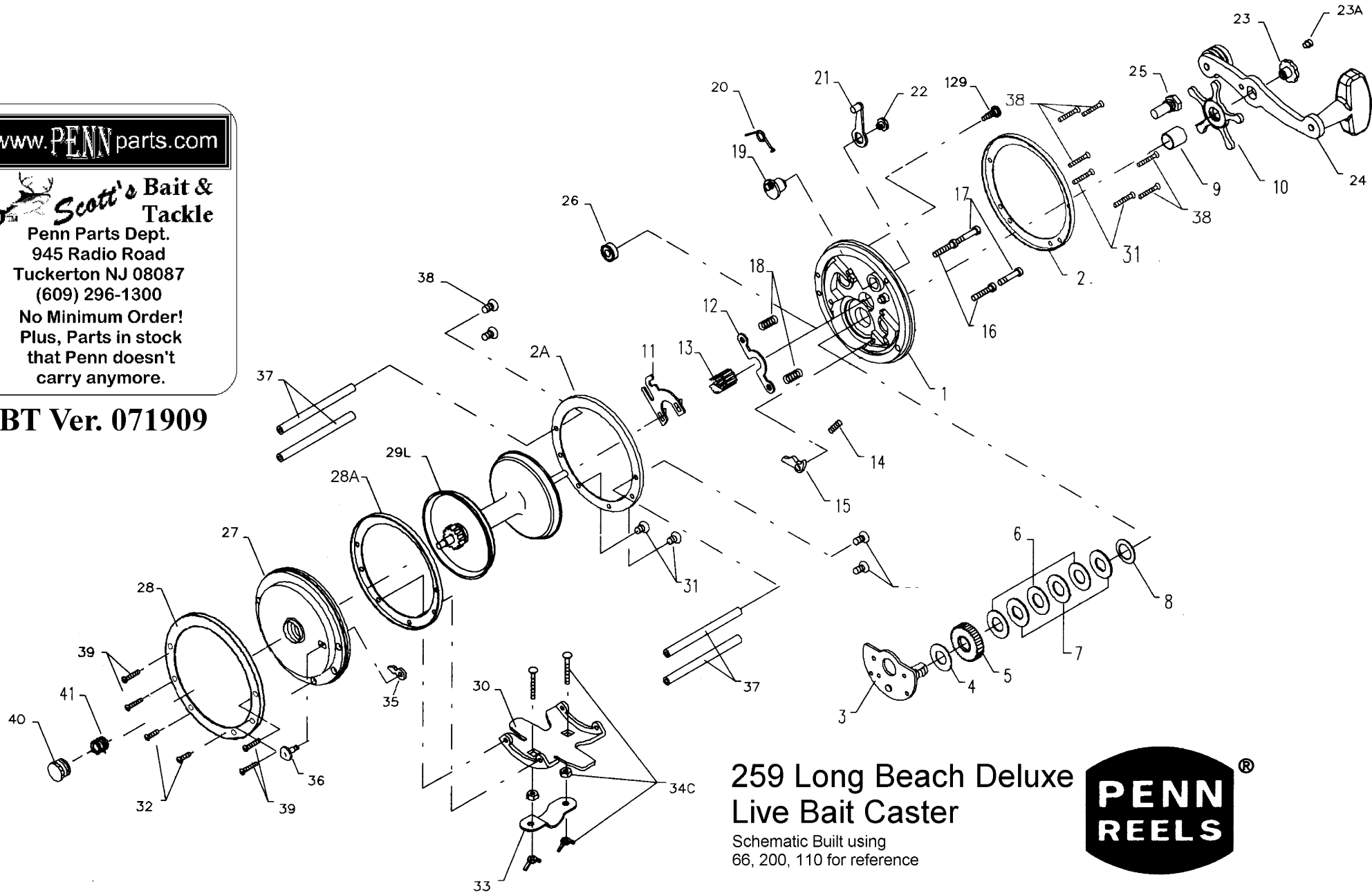
www.PENNparts.com

Scott's Bait & Tackle

Penn Parts Dept.
945 Radio Road
Tuckerton NJ 08087
(609) 296-1300

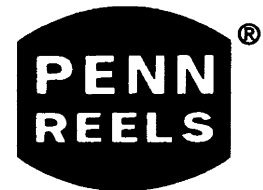
No Minimum Order!
Plus, Parts in stock
that Penn doesn't
carry anymore.

SBT Ver. 071909



259 Long Beach Deluxe Live Bait Caster

Schematic Built using
66, 200, 110 for reference



Penn Reel Parts list for Model: 259 Long Beach Deluxe - Live Bait Caster

KEY PART			KEY PART		
NO	NO.	DESCRIPTION	NO	NO.	DESCRIPTION
1	1-259	R.S. PLATE	23	23-60	HANDLE SCREW
2	2-110-O	OUTER R.S. RING	23A	23A-60	HANDLE LOCK SCREW
2A	28-110-I	INNER R.S. RING	24	24-155	HANDLE
3	3-99	BRIDGE W/ SLEEVE	25	25-155	KNOB, RIVET & OILER
4	4-60	FIBER WASHER	26	26-155	R.S. BEARING
5	5-60	MAIN GEAR	27	27-259	L.S. PLATE W/CLICKER
6	6-60	DRAG WASHER (3 REQUIRED)	28	28-110-O	OUTER L.S. RING
7	7C-60	METAL WASHER SET	28A	28-110-I	INNER L.S. RING
8	8-60	TENSION SPRING	29	29-250	SPOOL, PLASTIC
9	9-60	SPACING SLEEVE	29L	29L-500	SPOOL, ALUMINUM
10	10-60	STAR DRAG	29M	29M-250	SPOOL, BRONZE
11	11-99	ECCENTRIC JACK	30	30-200	STAND
12	12-110	PINION YOKE	31	39-3	R.S. STAND SCREW (2 REQUIRED)
13	13-140	PINION (replaces old 13-99)	32	32-17	L.S. STAND SCREW (2 REQUIRED)
14	14-60	DOG SPRING	33	33-200	ROD CLAMP
15	15-60	DOG	34	34-45	CLAMP SCREW
16	16-60CH	LOWER BRIDGE SCREW (2 REQUIRED)	34C	34C-200	CLAMP SCREW W/NUTS (2 REQUIRED)
17	17-60CH	UPPER BRIDGE SCREW (2 REQUIRED)	35	35-60	CLICK TONGUE
18	18-60	CLUTCH SPRING (2 REQUIRED)	36	36-60CH	CLICK BUTTON
19	19-110	ECCENTRIC	37	37-155	POST FRAME
20	20-60L	ECCENTRIC SPRING	38	39-9	R.S. POST SCREW (4 REQUIRED)
21	21-66	ECCENTRIC LEVER	39	39-3	L.S. POST SCREW (4 REQUIRED)
22	22-99	ECCENTRIC SCREW	40	40-60	L.S. BEARING
			41	41-60	SPRING
			149	149-200	CLAMP HEX NUT
			152	152-200	CLAMP WING NUT

NOTE: Many of www.pennparts.com schematics include changes that were either made by Penn, or errors found and corrected by our parts dept.
 SBT Ver. 071909 Built using 66, 200, 110 MODELS for reference w/ Penn part list