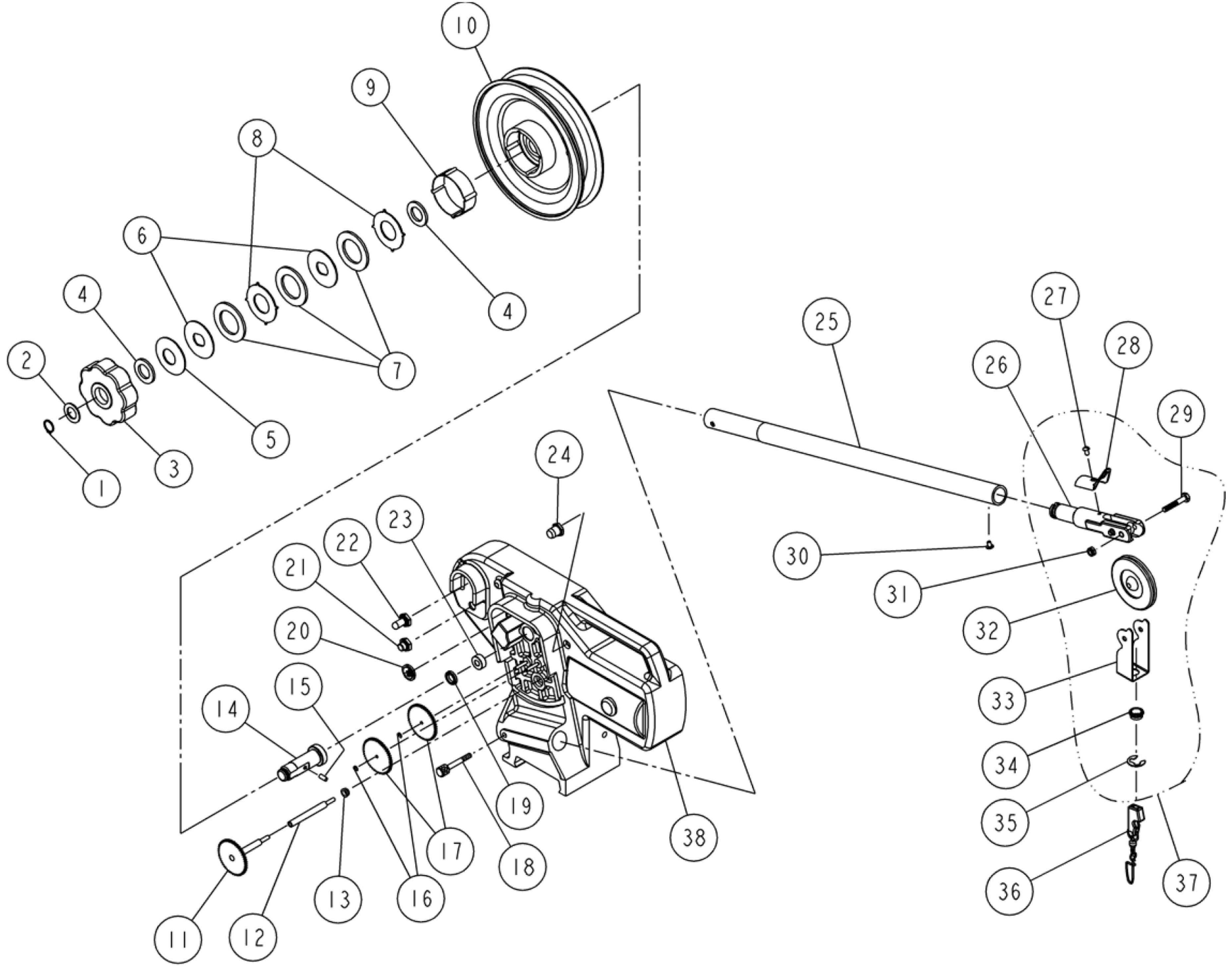


RIGHT SIDE FRAME ASSEMBLY FOR MODELS 805 AND 835

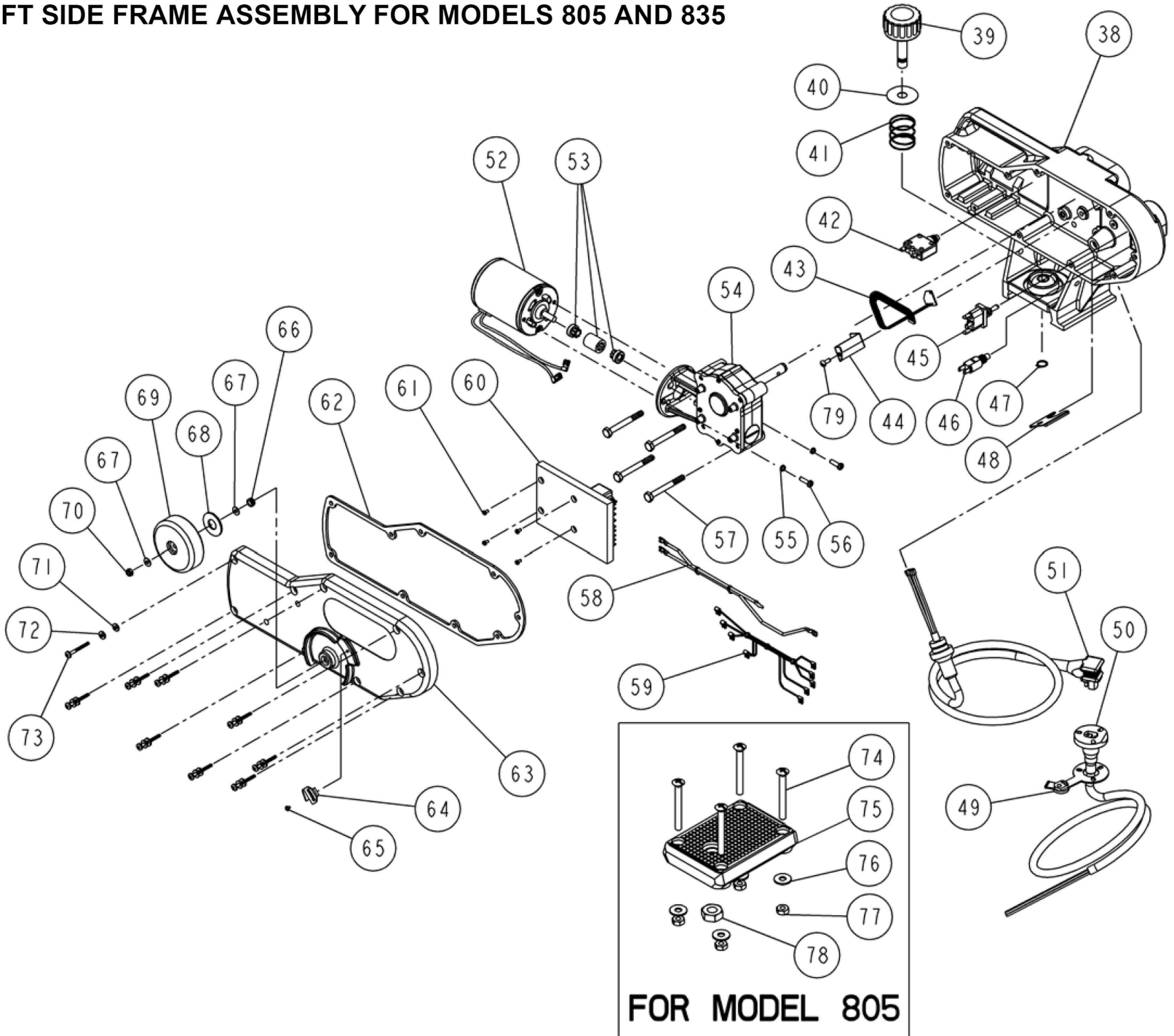




SBT Ver. 072806

www.PENNparts.com

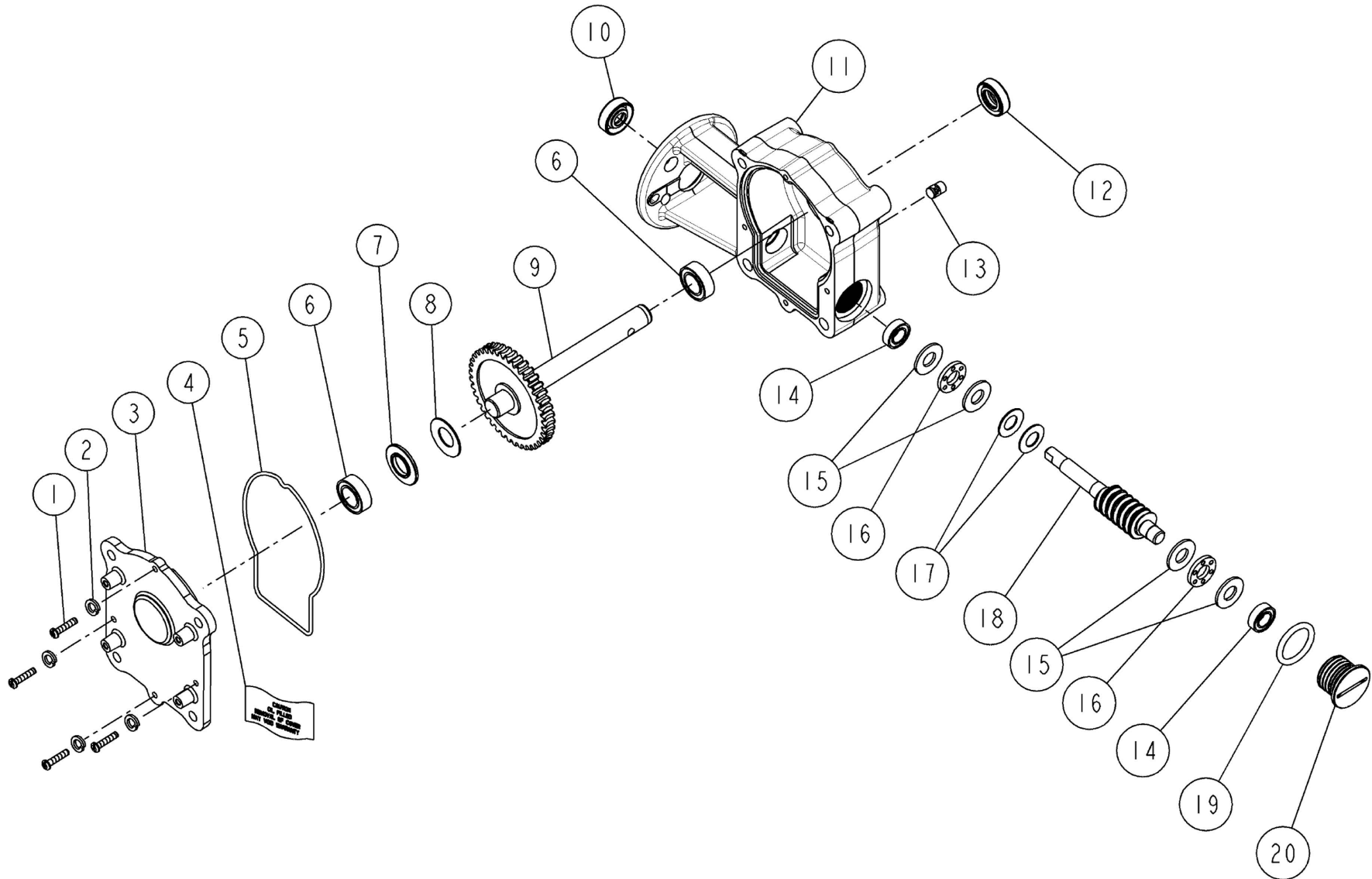
LEFT SIDE FRAME ASSEMBLY FOR MODELS 805 AND 835





GEAR BOX ASSEMBLY FOR MODELS 805 AND 835

FOR AUTHORIZED TECHNICIANS ONLY



Penn Reel Parts list for:

805 and 835 Downrigger
GEAR BOX ASSEMBLY

KEY NO	PART NO.	DESCRIPTION	KEY NO	PART NO.	DESCRIPTION
1	46-9500	COVER SCREW (4 REQ.)	11	156-805B	GEAR BOX HOUSING
2	220-835	#6 LOCK WASHER (4 REQ.)	12	245-805	MAIN SHAFT SEAL
3	156A-800	GEAR BOX COVER	13	156B-805	LOCATING PIN
4	225-800	WARNING LABEL	14	20-6500	BALL BEARING (2 REQ.)
5	166-805	GEAR BOX GASKET	15	252-805	THRUST BEARING WASHERS (4 REQ.)
6	55-80ST	BALL BEARING (2 REQ.)	16	253-805	THRUST BEARING
7	9A-805	MAIN GEAR SPACER	17	18-20	SPRING DISC WASHER (2 REQ.)
8	18-970	SPRING DISC	18	42-805	WORM
9	5A-800	MAIN GEAR	19	120-805	O-RING
10	246-805	WORM SHAFT SEAL	20	26-80	BEARING HOUSING

RIGHT SIDE FRAME ASSEMBLY

KEY NO	PART NO.	DESCRIPTION
1	195-800	MAIN SHAFT RETAINING RING
2	9-800	STAR DRAG SPACER
3	10-600	DRAG CONTROL KNOB
4	199P-600	INSULATING WASHER (2 REQ.)
5	8-600	TENSION WASHER
6	86-600	KEY WASHER (2 REQ.)
7	6P-600	DRAG WASHER (3 REQ.)
8	7-836	EAR WASHER (2 REQ.)
9	191-836	THERMAL INSULATOR
10	29-805	SPOOL
11	179-600	COUNTER CUP GEAR
12	188-800	COUNTER CUP SHAFT
13	247-800	COUNTER CUP SHAFT SEAL
14	98-800	MAIN SLEEVE
15	102-800	MAIN SLEEVE PIN
16	69B-600	IDLER GEAR RETAINING RING (2 REQ.)
17	178-600	IDLER GEAR (2 REQ.)
18	194-600	BOOM SCREW
19	245-800	MAIN SHAFT SEAL
20	247-805	FRAME VENT SEAL
21	504-805	PUSH BUTTON BOOT
22	504-800	SWITCH BOOT
23	147A-800	FRAME BEARING
24	505-800	FUSE BOOT
25	183-800	BOOM BOTTOM
26	218-800	BOOM TIP
27	204R-820	LINE GUIDE SCREW
28	223-836	LINE GUIDE
29	182-800	BOOM PULLEY SCREW
30	204P-600	BOOM TIP SCREW
31	208-815	BOOM PULLEY NUT
32	180-600	BOOM PULLEY
33	201-620	LINE GUIDE BRACKET
34	202-600	LINE GUIDE SLEEVE
35	203-600	SLEEVE RETAINING RING
36	213-600SPD	CABLE HARDWARD (COMPLETE)
37	218C-820SPD	BOOM TIP (COMPLETE)

LEFT SIDE FRAME ASSEMBLY

KEY NO	PART NO.	DESCRIPTION
38	132-805	FRAME W/BEARING AND SEALS
39	184-600	HOLD DOWN KNOB
40	206-600	HOLD DOWN KNOB WASHER
41	192-600	HOLD DOWN KNOB SPRING
42	506-800	FUSE CIRCUIT BREAKER
43	507A-805	SENSOR SWITCH ASSEMBLY
44	507B-805	SENSOR SWITCH SPACER (older models per-2005)
	507C-805	SENSOR SWITCH BRACKET (models 2005 or later)
45	503-825	SWITCH (UP & DOWN)
46	503-805	PUSH BUTTON
47	195-600	HOLD DOWN RETAINING RING
48	203-800	POWER CABLE CLIP
49	531-800	LOWER POWER CABLE CLIP
50	532-800	POWER CABLE (LOWER)
51	530-800	POWER CABLE (UPPER)
52	501-805	MOTOR
53	119-800	MOTOR SHAFT COUPLING
54	156-805	GEAR BOX COMPLETE
55	220-805	LOCK WASHER (2 REQ.)
56	32-800	MOUNTING SCREW (2 REQ.)
57	209-805	GEAR BOX MOUNTING SCREW (4 REQ.)
58	515A-805	WIRING HARNESS (BREAKER)
59	515-805	WIRING HARNESS (SWITCH)
60	507-805	P.C. DRIVER BOARD
61	46A-704	P.C. MOUNTING SCREW
62	264-800	FRAME GASKET
63	227-805	FRAME COVER
64	181A-800	INDICATOR BRACKET
65	63-349	INDICATOR SCREW
66	247-800	COUNTER CUP SHAFT SEAL
67	247-620	COUNTER CUP THRUST WASHER (2 REQ.)
68	190P-600	COUNTER CUP WASHER
69	181-600	COUNTER CUP
70	200-600	COUNTER CUP LOCK NUT
71	220-800	RUBBER WASHERS (9 REQ.)
72	205-800	FLAT WASHER (9 REQ.)
73	63-800	COVER MOUNTING SCREW (9 REQ.)
74	209-600	BASE PLATE MOUNTING SCREW (4 REQ.)
75	133-600	BASE PLATE
76	220-600	BASE PLATE WASHER (4 REQ.)
77	211-600	BASE PLATE NUT (4 REQ.)
78	193-600	BASE PLATE LARGE NUT
79	63-330	SENSOR BRACKET #4 SCREW (CLICK SPRING)

NOTE: Many of www.pennparts.com schematics include changes that were either made by Penn, or errors found and corrected by our parts dept.