



mysticparts.com

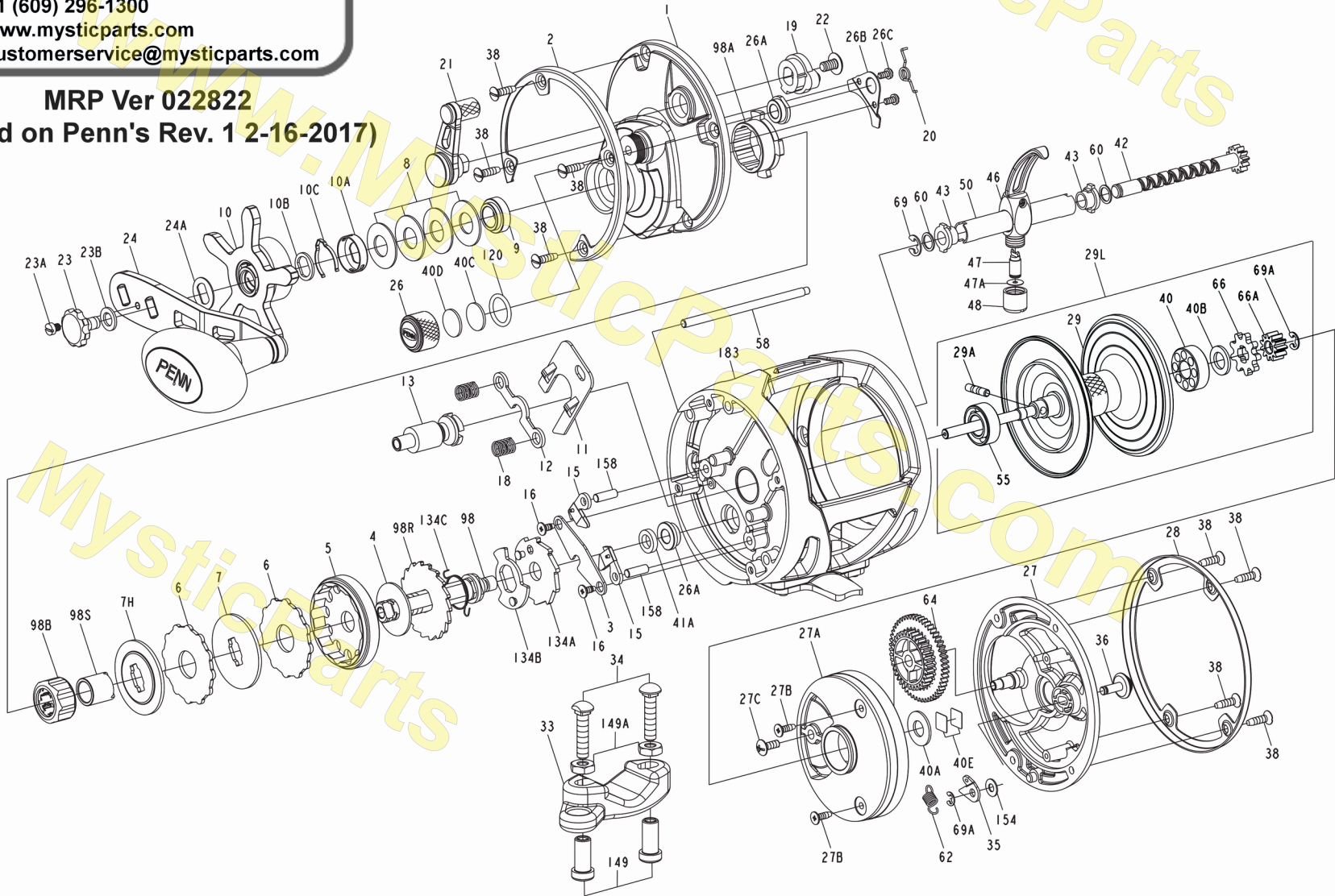
MYSTIC REEL PARTS

965 Radio Raod
Little Egg Harbor, NJ 08087
+1 (609) 296-1300
www.mysticparts.com
customerservice@mysticparts.com



PARTS LIST FOR WAR30LWLH REEL ASM. Nos. 1366197

MRP Ver 022822
(based on Penn's Rev. 1 2-16-2017)



Penn Reel Parts list for Model: Warfare Levelwind WAR30LWLH (LEFT HANDED)

KEY #	PUREFISHING #	PENN PART #	DESCRIPTION	KEY #	PUREFISHING #	PENN PART #	DESCRIPTION
1	1405739	1-WAR30LWLH	HANDLE SIDE PLATE ASSEMBLY (LEFT HANDED)	29A ** SEE NOTES PAGE 3			
2	1405740	2-WAR30LWLH	RING, HANDLE SIDE (LEFT HANDED)	29	1383286	29-WAR30LW	SPOOL
3	1384179	3-WAR15LW	BRIDGE	29L	1383287	29L-WAR30LW	SPOOL ASSEMBLY
4	1382976	4-WAR15LW	DRAG WASHER, HT100	33	1182754	33N-113	CLAMP, GRAPHITE WITH RING
5	1406059	5-WAR30LWLH	MAIN GEAR (LEFT HANDED)	33C	1182773	33C-113	CLAMP KIT WITH STUDS AND NUTS
6	1382978	6-WAR15LW	DRAG WASHER, HT100, EARRD (2 REQUIRED)	34	1182788	34-45	STUD (2 REQUIRED)
7	1382999	7-WAR15LW	KEYED METAL DRAG WASHER	34C	1182862	34C-45	STUD WITH TWO NUTS (2 REQUIRED)
7H	1383000	7H-WAR15LW	HEAVY METAL DRAG WASHER	35	1383037	35-WAR15LW	CLICK TONGUE
8	1383001	8-WAR15LW	SPRING WASHER (4 REQUIRED)	36	1383038	36-WAR15LW	CLICK BUTTON
9	1384180	9-WAR15LW	SPACING SLEEVE	38	1383039	38-WAR15LW	SCREW (5 REQUIRED)
10	1383091	10-WAR15LWLH	STAR DRAG (LEFT HANDED)	40 ** SEE NOTES PAGE 3			
10A	1383003	10A-WAR15LW	STAR CLICK RETAINER	40A ** SEE NOTES PAGE 3			
10B	1383004	10B-WAR15LW	STAR CLICK WASHER	40B	1383044	40B-WAR15LW	PLASTIC WASHER*
10C	1383005	10C-WAR15LW	STAR CLICK SPRING	40C	1383045	40C-WAR15LW	WASHER, ACETAL THRUST
11	1405741	11--WAR30LWLH	ECCENTRIC JACK (LEFT HANDED)	40D	1383046	40D-WAR15LW	WASHER, RUBBER THRUST
12	1383007	12-WAR15LW	PINION YOKE	40E	1383047	40E-WAR15LW	THRUSH WASHER (2 REQUIRED)
13	1406060	13-WAR30LWLH	PINION (LEFT HANDED)	41A	1384181	41A-WAR15LW	BUSHING
15	1383276	15-WAR15LWLH	ANTI-REVERSE DOG (LEFT HANDED) (2 REQUIRED)	42	1383049	42-WAR15LW	WORM SHAFT ASSEMBLY
16	1383010	16-WAR15LW	SCREW, FOR BRIDGE (2 REQUIRED)	43	1383051	43-WAR15LW	WORM SHAFT BUSHING (2 REQUIRED)
18	1383011	18-WAR15LW	PINION YOKE SPRING (2 REQUIRED)	46	1383052	46-WAR15LW	LINE GUIDE ASSEMBLY
19 ** SEE NOTES PAGE 3				47	1383053	47-WAR15LW	LINE GUIDE PAWL
20	1446771	20-WAR15LWLH	ECCENTRIC SPRING (LEFT HANDED)	47A	1383054	47A-WAR15LW	PAWL SHIM
21	1383106	21-WAR30LW	ECCENTRIC LEVER	48	1383055	48-WAR15LW	LINE GUIDE NUT
22	1383015	22-WAR15LW	ECCENTRIC SCREW	50	1383056	50-WAR15LW	WORM SHIELD
23	1383016	23-WAR15LW	HANDLE ASSEMBLY SCREW	55 ** SEE NOTES PAGE 3			
23A	1383017	23A-WAR15LW	HANDLE LOCK SCREW	58	1383058	58-WAR15LW	LINE GUIDE POST
23B	1383018	23B-WAR15LW	HANDLE SCREW WASHER	60	1383060	60-WAR15LW	WORM SHAFT WASHER (2 REQUIRED)
24	1383019	24-WAR15LW	HANDLE ASSEMBLY	62*	1383061	62-WAR15LW	SPRING
24A	1383020	24A-WAR15LW	HANDLE THRUST WASHER	64	1383062	64-WAR15LW	IDLER GEAR
26	1383021	26-WAR15LW	SPOOL TENSION CONTROL CAP	66	1383063	66-WAR15LW	CLICK RATCHET
26A	1383022	26A-WAR15LW	BUSHING (2 REQUIRED) (AKA old# 41-WAR15LW)	66A	1383064	66A-WAR15LW	SPOOL GEAR
26B	1383023	26B-WAR15LW	CLUTCH RETAINER	69	1383065	69-WAR15LW	RETAINER RING
26C	1383024	26C-WAR15LW	SCREW, FOR CLUTCH RETAINER (2 REQUIRED)	69A	1383066	69A-WAR15LW	RETAINER RING (2 REQUIRED)
27	1405742	27-WAR30LWLH	NON-HANDLE SIDE PLATE (LEFT HANDED)	98	1383094	98-WAR15LWLH	MAIN GEAR SHAFT (LEFT HANDED)
27A ** SEE NOTES PAGE 3				98A	1383068	98A-WAR15LW	CLUTCH HOUSING
27B	1383028	27B-WAR15LW	SCREW (2 REQUIRED)				
27C	1383029	27C-WAR15LW	SCREW				
28	1383285	28-WAR30LW	RING, NON HANDLE SIDE				

(cont'd)

<u>KEY #</u>	<u>PUREFISHING #</u>	<u>PENN PART #</u>	<u>DESCRIPTION</u>	<u>KEY #</u>	<u>PUREFISHING #</u>	<u>PENN PART #</u>	<u>DESCRIPTION</u>
98B	1384182	98B-WAR15LW	CLUTCH (SHARP EDGE FACES TOWARDS HANDLE)	134C	1383097	134C-WAR15LWLH	CLUTCH RECOVER SPRING
98R	1383069	98R-WAR15LW	ANTI REVERSE RATCHET	149	1184702	149-45	ROD CLAMP NUT (2 REQUIRED)
98S	1383070	98S-WAR15LW	CLUTCH SLEEVE	149A	1184706	149-200	HEX NUT (2 REQUIRED)
120	1383071	120-WAR15LW	O-RING	154	1383077	154-WAR15LW	CLICK BUTTON WASHER
134A	1383095	134A-WAR15LWLH	CLUTCH RECOVER PLATE	158	1383078	158-WAR15LW	DOG PIN (2 REQUIRED)
134B	** SEE NOTES PAGE 3			183	1405743	183-WAR15LWLH	FRAME ASSEMBLY (LEFT HANDED)

ERRORS/CORRECTIONS/NOTES:

* 62 - HAD TWO KINDS 7 COIL AND 5 COIL, SEEMED RANDOM

*40B rev.0 of schematic said felt, but what was in the reels were plastic

19	1383093	19-WAR15LWLH	ECCENTRIC (LEFT HANDED)
Penn's schematic originally listed this as using the regular eccentric when it needs this LH part			

BEARING HOUSING ERROR

27A*	1383027	27A-WAR15LW	BEARING HOUSING (REV 0 HAD WRONG SIZE DO NOT USE!)
27A*	1446772	27A-WAR30LW	BEARING HOUSING (REV 1 HAS CORRECT SIZE - USE THIS!)

BEARING AND WASHER CORRECTION

40	1383042	40-WAR15LW	BALL BEARING, SPOOL, OUTER, NON HANDLE SIDE (** wrong bearing listed in Penn's Rev 0)
	1451534	40-WAR30LW	BALL BEARING, SPOOL, OUTER, NON HANDLE SIDE (** corrected by Penn Rev 1) -- USE THIS ONE --
40A	1383043	40A-WAR15LW	WASHER(** wrong part listed in Penn's Rev 0)
	1446773	40-WAR30LW	WASHER (** corrected by Penn Rev 1) -- USE THIS ONE --

SPOOL BEARING AND PIN

55	1451533	55-WAR15LW	BEARING (ATTACHED TO SPOOL SHAFT)
NOTE	1191256	20-1000AF	BEARING (ATTACHED TO SPOOL SHAFT) * old key#20A (CAN BE USED IF THE 55 PART IS NOT AVAILABLE)
We originally used 20-1000AF as the spool bearing, which wasn't on the Penn Rev0 schematic, but we now have the correct # 55-WAR15LW			
29A	1451532	29A-WAR15LW	PIN TO HOLD IN SPOOL BEARING

SAME AS

134B	1383096	134B-WAR15LWLH	CLUTCH RECOVER SUPPORT PLATE (LEFT HANDED)	Originally noted as an (LEFT HANDED) part
*	1383073	134B-WAR15LW	CLUTCH RECOVER SUPPORT PLATE	but it is the SAME AS the standard part

MYSTIC REEL PARTS REVISION!

NOTE:

Many of www.mysticparts.com schematics include changes that were either made by Penn, or errors found and corrected by our parts dept.

MRP Ver 022822 (based on Penn's Rev. 1 2-16-2017)