



# PARTS LIST FOR WAR 30LWLC

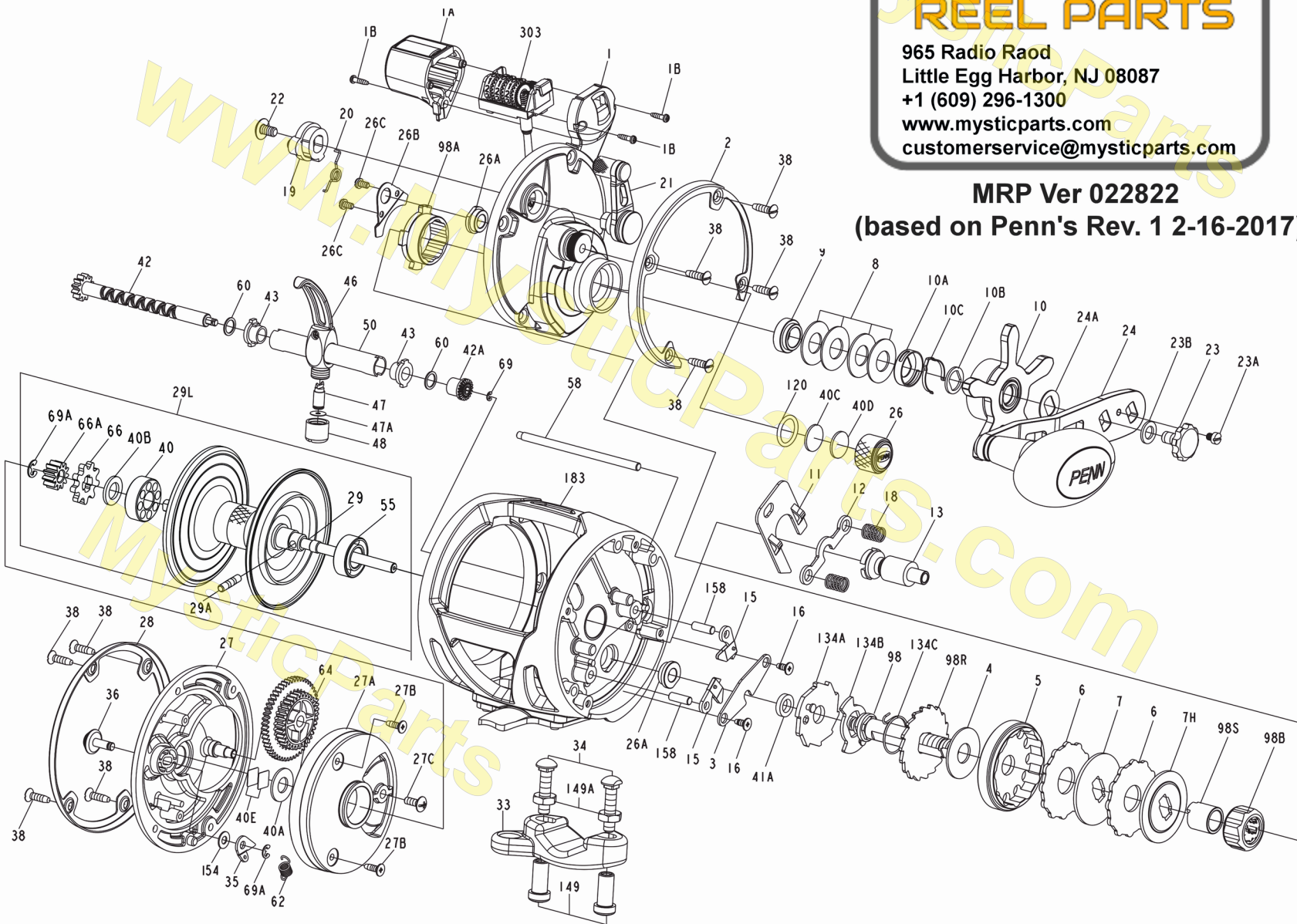
REEL ASM.Nos. 1366198

mysticparts.com

## MYSTIC REEL PARTS

965 Radio Raod  
Little Egg Harbor, NJ 08087  
+1 (609) 296-1300  
www.mysticparts.com  
customerservice@mysticparts.com

MRP Ver 022822  
(based on Penn's Rev. 1 2-16-2017)



## PARTS LIST FOR MODEL: WAR30LWLC Warfare Level Wind Line Counter Reel

<u>KEY #</u>	<u>PUREFISHING #</u>	<u>PENN PART #</u>	<u>DESCRIPTION</u>	<u>KEY #</u>	<u>PUREFISHING #</u>	<u>PENN PART #</u>	<u>DESCRIPTION</u>
1	1405734	1-WAR30LWLC	HANDLE SIDE PLATE ASSEMBLY	27	1405736	27-WAR30LWLC	NON-HANDLE SIDE PLATE
1A	1383083	1A-WAR30LWLC	LINE COUNTER COVER	<b>27A ** SEE NOTES PAGE 3</b>			
1B	1383084	1B-WAR30LWLC	SCREW, FOR LINE COUNTER COVER (3 REQUIRED)	27B	1383028	27B-WAR15LW	SCREW (2 REQUIRED)
2	1405735	2-WAR30LWLC	RING, HANDLE SIDE	27C	1383029	27C-WAR15LW	SCREW
3	1384179	3-WAR15LW	BRIDGE	28	1383285	28-WAR30LW	RING, NON HANDLE SIDE
4	1382976	4-WAR15LW	DRAG WASHER, HT100	<b>29A ** SEE NOTES PAGE 3</b>			
5	1383103	5-WAR30LW	MAIN GEAR	29	1383286	29-WAR30LW	SPOOL
6	1382978	6-WAR15LW	DRAG WASHER, HT100, EARRED (2 REQUIRED)	29L	1383287	29L-WAR30LW	SPOOL ASSEMBLY
7	1382999	7-WAR15LW	KEYED METAL DRAG WASHER	33	1182754	33N-113	CLAMP, GRAPHITE WITH RING
7H	1383000	7H-WAR15LW	HEAVY METAL DRAG WASHER	33C	1182773	33C-113	CLAMP KIT WITH STUDS AND NUTS
8	1383001	8-WAR15LW	SPRING WASHER (4 REQUIRED)	34	1182788	34-45	STUD (2 REQUIRED)
9	1384180	9-WAR15LW	SPACING SLEEVE	34C	1182862	34C-45	STUD WITH TWO NUTS (2 REQUIRED)
10	1383002	10-WAR15LW	STAR DRAG	35	1383037	35-WAR15LW	CLICK TONGUE
10A	1383003	10A-WAR15LW	STAR CLICK RETAINER	36	1383038	36-WAR15LW	CLICK BUTTON
10B	1383004	10B-WAR15LW	STAR CLICK WASHER	38	1383039	38-WAR15LW	SCREW (8 REQUIRED)
10C	1383005	10C-WAR15LW	STAR CLICK SPRING	<b>40 ** SEE NOTES PAGE 3</b>			
11	1383104	11-WAR30LW	ECCENTRIC JACK	<b>40A ** SEE NOTES PAGE 3</b>			
12	1383007	12-WAR15LW	PINION YOKE	40B*	1383044	40B-WAR15LW	PLASTIC WASHER*
13	1383105	13-WAR30LW	PINION	40C	1383045	40C-WAR15LW	WASHER, ACETAL THRUST
15	1383009	15-WAR15LW	ANTI-REVERSE DOG (2 REQUIRED)	40D	1383046	40D-WAR15LW	WASHER, RUBBER THRUST
16	1383010	16-WAR15LW	SCREW, FOR BRIDGE (2 REQUIRED)	40E	1383047	40E-WAR15LW	THRUSH WASHER (2-3 REQUIRED)
18	1383011	18-WAR15LW	PINION YOKE SPRING (2 REQUIRED)	41A	1384181	41A-WAR15LW	BUSHING
19	1383012	19-WAR15LW	ECCENTRIC	42	1406061	42-WAR30LWLC	WORM SHAFT ASSEMBLY
20	1383013	20-WAR15LW	ECCENTRIC SPRING	42A	1405737	42A-WAR30LWLC	GEAR, LINE COUNTER DRIVE GEAR
21	1383106	21-WAR30LW	ECCENTRIC LEVER	43	1383051	43-WAR15LW	WORM SHAFT BUSHING (2 REQUIRED)
22	1383015	22-WAR15LW	ECCENTRIC SCREW	46	1383288	46-WAR30LW	LINE GUIDE ASSEMBLY
23	1383016	23-WAR15LW	HANDLE ASSEMBLY SCREW	47	1383053	47-WAR15LW	LINE GUIDE PAWL
23A	1383017	23A-WAR15LW	HANDLE LOCK SCREW	47A	1383054	47A-WAR15LW	PAWL SHIM
23B	1383018	23B-WAR15LW	HANDLE SCREW WASHER	48	1383055	48-WAR15LW	LINE GUIDE NUT
24	1383019	24-WAR15LW	HANDLE ASSEMBLY	50	1383057	50-WAR20LW	WORM SHIELD
24A	1383020	24A-WAR15LW	HANDLE THRUST WASHER	<b>55 ** SEE NOTES PAGE 3</b>			
26	1383021	26-WAR15LW	SPOOL TENSION CONTROL CAP	58	1383059	58-WAR20LW	LINE GUIDE POST
<b>26A</b>	<b>1383022</b>	<b>26A-WAR15LW</b>	<b>BUSHING (2 REQUIRED) (AKA old# 41-WAR15LW)</b>	60	1383060	60-WAR15LW	WORM SHAFT WASHER (2 REQUIRED)
26B	1383023	26B-WAR15LW	CLUTCH RETAINER	62*	1383061	62-WAR15LW	SPRING
26C	1383024	26C-WAR15LW	SCREW, FOR CLUTCH RETAINER (2 REQUIRED)	64	1383289	64-WAR30LW	IDLER GEAR

(cont'd)

KEY #	PUREFISHING #	PENN PART #	DESCRIPTION	KEY #	PUREFISHING #	PENN PART #	DESCRIPTION
66	1383290	66-WAR30LW	CLICK RATCHET	98S	1383070	98S-WAR15LW	CLUTCH SLEEVE
66A	1383064	66A-WAR15LW	SPOOL GEAR	120	1383071	120-WAR15LW	O-RING
69	1446770	69-WAR15LWLC	RETAINER RING	134A	1383072	134A-WAR15LW	CLUTCH RECOVER PLATE
69A	1383066	69A-WAR15LW	RETAINER RING (2 REQUIRED)	134B	1383073	134B-WAR15LW	CLUTCH RECOVER SUPPORT PLATE
98	1383067	98-WAR15LW	MAIN GEAR SHAFT	134C	1383074	134C-WAR15LW	CLUTCH RECOVER SPRING
98A	1383068	98A-WAR15LW	CLUTCH HOUSING	149	1184702	149-45	ROD CLAMP NUT (2 REQUIRED)
98B	1384182	98B-WAR15LW	CLUTCH (SHARP EDGE FACES TOWARDS SPOOL)	149A	1184706	149-200	HEX NUT (2 REQUIRED)
98R	1383069	98R-WAR15LW	ANTI REVERSE RATCHET	154*	1383077	154-WAR15LW	CLICK BUTTON WASHER
				158	1383078	158-WAR15LW	DOG PIN (2 REQUIRED)
				183	1383107	183-WAR30LW	FRAME ASSEMBLY
				303	1446774	303-WAR30LWLC	COUNTER WHEEL ASSEMBLY

### ERRORS/CORRECTIONS/NOTES:

\* 62 - HAD TWO KINDS 7 COIL AND 5 COIL, SEEMED RANDOM

\*40B rev.0 of schematic said felt, but what was in the reels were plastic

\*154 This washer shows on the schematic, but was not found in the first run WARFARES that we examined

#### BEARING HOUSING ERROR

27A*	1383027	27A-WAR15LW	BEARING HOUSING (REV 0 HAD WRONG SIZE DO NOT USE!)
27A*	1446772	27A-WAR30LW	BEARING HOUSING (REV 1 HAS CORRECT SIZE - USE THIS!)

#### BEARING AND WASHER CORRECTION

40	1383042	40-WAR15LW	BALL BEARING, SPOOL, OUTER, NON HANDLE SIDE (** wrong bearing listed in Penn's Rev 0)
	1451534	40-WAR30LW	BALL BEARING, SPOOL, OUTER, NON HANDLE SIDE (** corrected by Penn Rev 1) -- USE THIS ONE --
40A	1383043	40A-WAR15LW	WASHER(** wrong part listed in Penn's Rev 0)
	1446773	40-WAR30LW	WASHER (** corrected by Penn Rev 1) -- USE THIS ONE --

#### SPOOL BEARING AND PIN

55	1451533	55-WAR15LW	BEARING (ATTACHED TO SPOOL SHAFT)
NOTE	1191256	20-1000AF	BEARING (ATTACHED TO SPOOL SHAFT) * old key#20A (CAN BE USED IF THE 55 PART IS NOT AVAILABLE)
We originally used 20-1000AF as the spool bearing, which wasn't on the Penn Rev0 schematic, but we now have the correct # 55-WAR15LW			
29A	1451532	29A-WAR15LW	PIN TO HOLD IN SPOOL BEARING

### MYSTIC REEL PARTS REVISION!

#### NOTE:

Many of www.mysticparts.com schematics include changes that were either made by Penn, or errors found and corrected by our parts dept.

MRP Ver 022822 (based on Penn's Rev. 1 2-16-2017)