



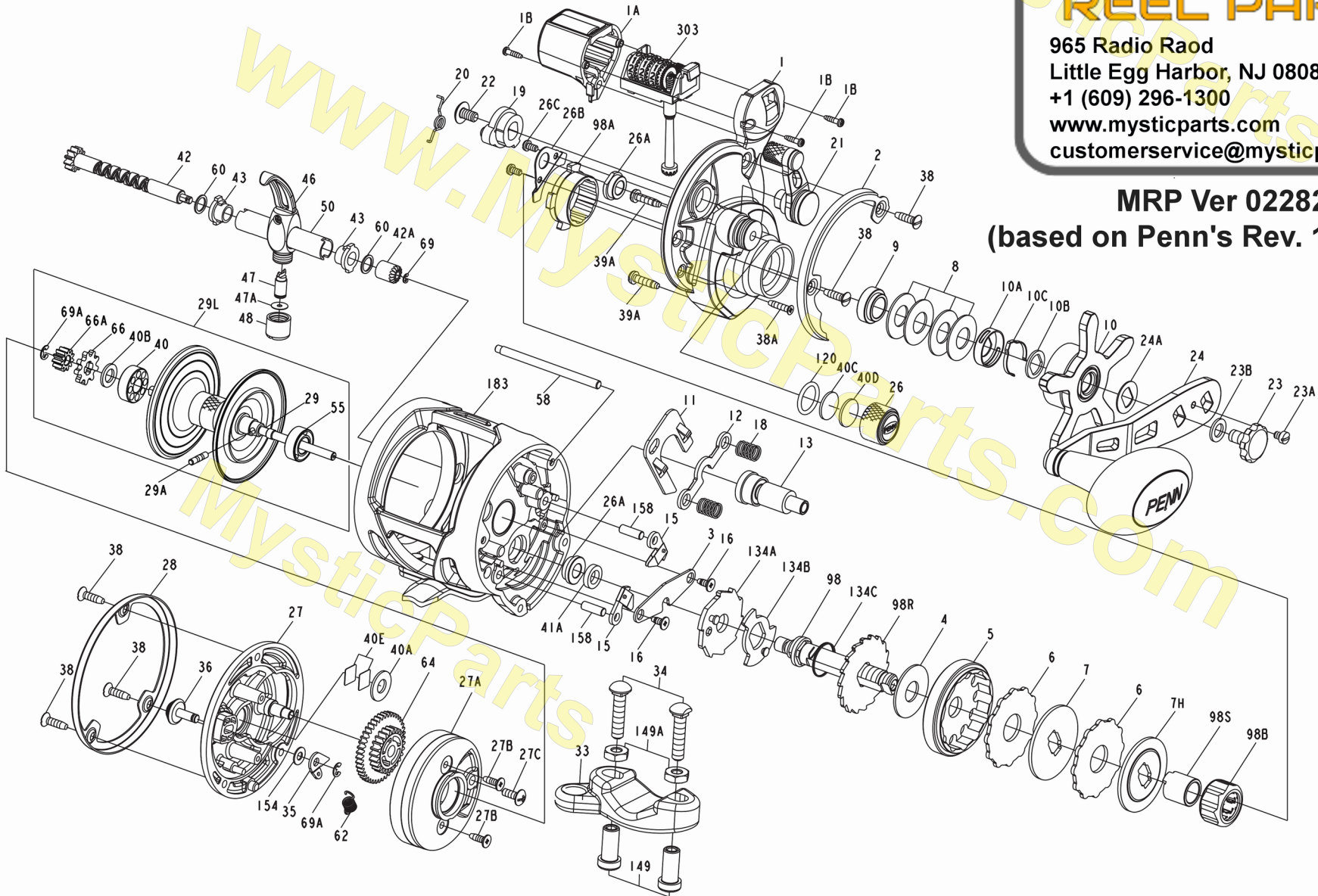
PARTS LIST FOR WAR15LWLC REEL ASM. No. 1366188(WAR15LWLC)



MYSTIC REEL PARTS

965 Radio Raod
Little Egg Harbor, NJ 08087
+1 (609) 296-1300
www.mysticparts.com
customerservice@mysticparts.com

MRP Ver 022822
(based on Penn's Rev. 1 2-16-2017)



Penn Reel Parts list for Model: Warfare Levelwind WAR15LWLC Line Counter

<u>KEY #</u>	<u>PUREFISHING #</u>	<u>PENN PART #</u>	<u>DESCRIPTION</u>	<u>KEY #</u>	<u>PUREFISHING #</u>	<u>PENN PART #</u>	<u>DESCRIPTION</u>
1	1383081	1-WAR15LWLC	HANDLE SIDE PLATE ASSEMBLY	28	1383030	28-WAR15LW	RING, NON HANDLE SIDE
1A	1383083	1A-WAR15LWLC	LINE COUNTER COVER	29A ** SEE NOTES PAGE 3			
1B	1383084	1B-WAR15LWLC	SCREW, LINE COUNTER COVER (3 REQUIRED)	29	1383031	29-WAR15LW	SPOOL
2	1383085	2-WAR15LWLC	RING, HANDLE SIDE	29L	1383033	29L-WAR15LW	SPOOL ASSEMBLY
3	1384179	3-WAR15LW	BRIDGE	33	1182754	33N-113	CLAMP, GRAPHITE WITH RING
4	1382976	4-WAR15LW	DRAG WASHER, HT100	33C	1182773	33C-113	CLAMP KIT WITH STUDS AND NUTS
5	1382977	5-WAR15LW	MAIN GEAR	34	1182788	34-45	STUD (2 REQUIRED)
6	1382978	6-WAR15LW	DRAG WASHER, HT100, EARRD (2 REQUIRED)	34C	1182862	34C-45	STUD WITH TWO NUTS (2 REQUIRED)
7	1382999	7-WAR15LW	KEYED METAL DRAG WASHER	35	1383037	35-WAR15LW	CLICK TONGUE
7H	1383000	7H-WAR15LW	HEAVY METAL DRAG WASHER	36	1383038	36-WAR15LW	CLICK BUTTON
8	1383001	8-WAR15LW	SPRING WASHER (4 REQUIRED)	38	1383039	38-WAR15LW	SCREW (5 REQUIRED)
9	1384180	9-WAR15LW	SPACING SLEEVE	38A	1383040	38A-WAR15LW	SCREW
10	1383002	10-WAR15LW	STAR DRAG	39A	1383041	39A-WAR15LW	SCREW (2 REQUIRED)
10A	1383003	10A-WAR15LW	STAR CLICK RETAINER	40	1383042	40-WAR15LW	BALL BEARING, SPOOL, OUTER, NON HANDLE SIDE
10B	1383004	10B-WAR15LW	STAR CLICK WASHER	40A	1383043	40A-WAR15LW	WASHER
10C	1383005	10C-WAR15LW	STAR CLICK SPRING	40B	1383044	40B-WAR15LW	PLASTIC WASHER*
11	1383006	11--WAR15LW	ECCENTRIC JACK	40C	1383045	40C-WAR15LW	WASHER, ACETAL THRUST
12	1383007	12-WAR15LW	PINION YOKE	40D	1383046	40D-WAR15LW	WASHER, RUBBER THRUST
13	1383008	13-WAR15LW	PINION	40E	1383047	40E-WAR15LW	THRUSH WASHER (2 REQUIRED)
15	1383009	15-WAR15LW	ANTI-REVERSE DOG (2 REQUIRED)	41A	1384181	41A-WAR15LW	BUSHING
16	1383010	16-WAR15LW	SCREW, FOR BRIDGE (2 REQUIRED)	42	1385461	42-WAR15LWLC	WORM SHAFT ASSEMBLY
18	1383011	18-WAR15LW	PINION YOKE SPRING (2 REQUIRED)	42A	1384183	42A-WAR15LWLC	GEAR, LINE COUNTER DRIVE
19	1383012	19-WAR15LW	ECCENTRIC	43	1383051	43-WAR15LW	WORM SHAFT BUSHING (2 REQUIRED)
20	1383013	20-WAR15LW	ECCENTRIC SPRING	46	1383052	46-WAR15LW	LINE GUIDE ASSEMBLY
21	1383014	21-WAR15LW	ECCENTRIC LEVER	47	1383053	47-WAR15LW	LINE GUIDE PAWL
22	1383015	22-WAR15LW	ECCENTRIC SCREW	47A	1383054	47A-WAR15LW	PAWL SHIM
23	1383016	23-WAR15LW	HANDLE ASSEMBLY SCREW	48	1383055	48-WAR15LW	LINE GUIDE NUT
23A	1383017	23A-WAR15LW	HANDLE LOCK SCREW	50	1383056	50-WAR15LW	WORM SHIELD
23B	1383018	23B-WAR15LW	HANDLE SCREW WASHER	55 ** SEE NOTES PAGE 3			
24	1383019	24-WAR15LW	HANDLE ASSEMBLY	58	1383058	58-WAR15LW	LINE GUIDE POST
24A	1383020	24A-WAR15LW	HANDLE THRUST WASHER	60	1383060	60-WAR15LW	WORM SHAFT WASHER (2 REQUIRED)
26	1383021	26-WAR15LW	SPOOL TENSION CONTROL CAP	62*	1383061	62-WAR15LW	SPRING
26A	1383022	26A-WAR15LW	BUSHING (2 REQUIRED) (AKA old# 41-WAR15LW)	64	1383062	64-WAR15LW	IDLER GEAR
26B	1383023	26B-WAR15LW	CLUTCH RETAINER	66	1383063	66-WAR15LW	CLICK RATCHET
26C	1383024	26C-WAR15LW	SCREW, FOR CLUTCH RETAINER (2 REQUIRED)	66A	1383064	66A-WAR15LW	SPOOL GEAR
27	1383086	27-WAR15LWLC	NON-HANDLE SIDE PLATE	69 ** SEE NOTES PAGE 3			
27A	1383027	27A-WAR15LW	BEARING HOUSING				
27B	1383028	27B-WAR15LW	SCREW (2 REQUIRED)				
27C	1383029	27C-WAR15LW	SCREW				

(cont'd)

KEY #	PUREFISHING #	PENN PART #	DESCRIPTION	KEY #	PUREFISHING #	PENN PART #	DESCRIPTION
69A	1383066	69A-WAR15LW	RETAINER RING (2 REQUIRED)	134B	1383073	134B-WAR15LW	CLUTCH RECOVER SUPPORT PLATE
98	1383067	98-WAR15LW	MAIN GEAR SHAFT	134C	1383074	134C-WAR15LW	CLUTCH RECOVER SPRING
98A	1383068	98A-WAR15LW	CLUTCH HOUSING	149	1184702	149-45	ROD CLAMP NUT (2 REQUIRED)
98B	1384182	98B-WAR15LW	CLUTCH (SHARP EDGE FACES TOWARDS SPOOL)	149A	1184706	149-200	HEX NUT (2 REQUIRED)
98R	1383069	98R-WAR15LW	ANTI REVERSE RATCHET	154	1383077	154-WAR15LW	CLICK BUTTON WASHER
98S	1383070	98S-WAR15LW	CLUTCH SLEEVE	158	1383078	158-WAR15LW	DOG PIN (2 REQUIRED)
120	1383071	120-WAR15LW	O-RING	183	1383079	183-WAR15LW	FRAME ASSEMBLY
134A	1383072	134A-WAR15LW	CLUTCH RECOVER PLATE	303	1383274	303-WAR15LWLC	COUNTER WHEEL ASSEMBLY

ERRORS/CORRECTIONS/NOTES:

*40B rev.0 of schematic said felt, but what was in the reels were plastic

* 62 - HAD TWO KINDS 7 COIL AND 5 COIL, SEEMED RANDOM

69 1383065 69-WAR15LW RETAINER RING (error WRONG on rev 0) do NOT use on LC reels

69 1446770 69-WAR15LWLC* RETAINER RING (corrected part number specific to the LC reels)

*69 rev. 0 of schematic said 69-WAR15LW, but was actually a different ring, assigned it 69-WAR15LWLC (Penn confirmed it in rev 1)

SPOOL BEARING AND PIN

55 1451533 55-WAR15LW BEARING (ATTACHED TO SPOOL SHAFT)

NOTE 1191256 20-1000AF BEARING (ATTACHED TO SPOOL SHAFT) * old key#20A (CAN BE USED IF THE 55 PART IS NOT AVAILABLE)

We originally used 20-1000AF as the spool bearing, which wasn't on the Penn Rev0 schematic, but we now have the correct # 55-WAR15LW

29A 1451532 29A-WAR15LW PIN TO HOLD IN SPOOL BEARING

MYSTIC REEL PARTS REVISION!

NOTE:

Many of www.mysticparts.com schematics include changes that were either made by Penn, or errors found and corrected by our parts dept.

MRP Ver 022822 (based on Penn's Rev. 1 2-16-2017)