

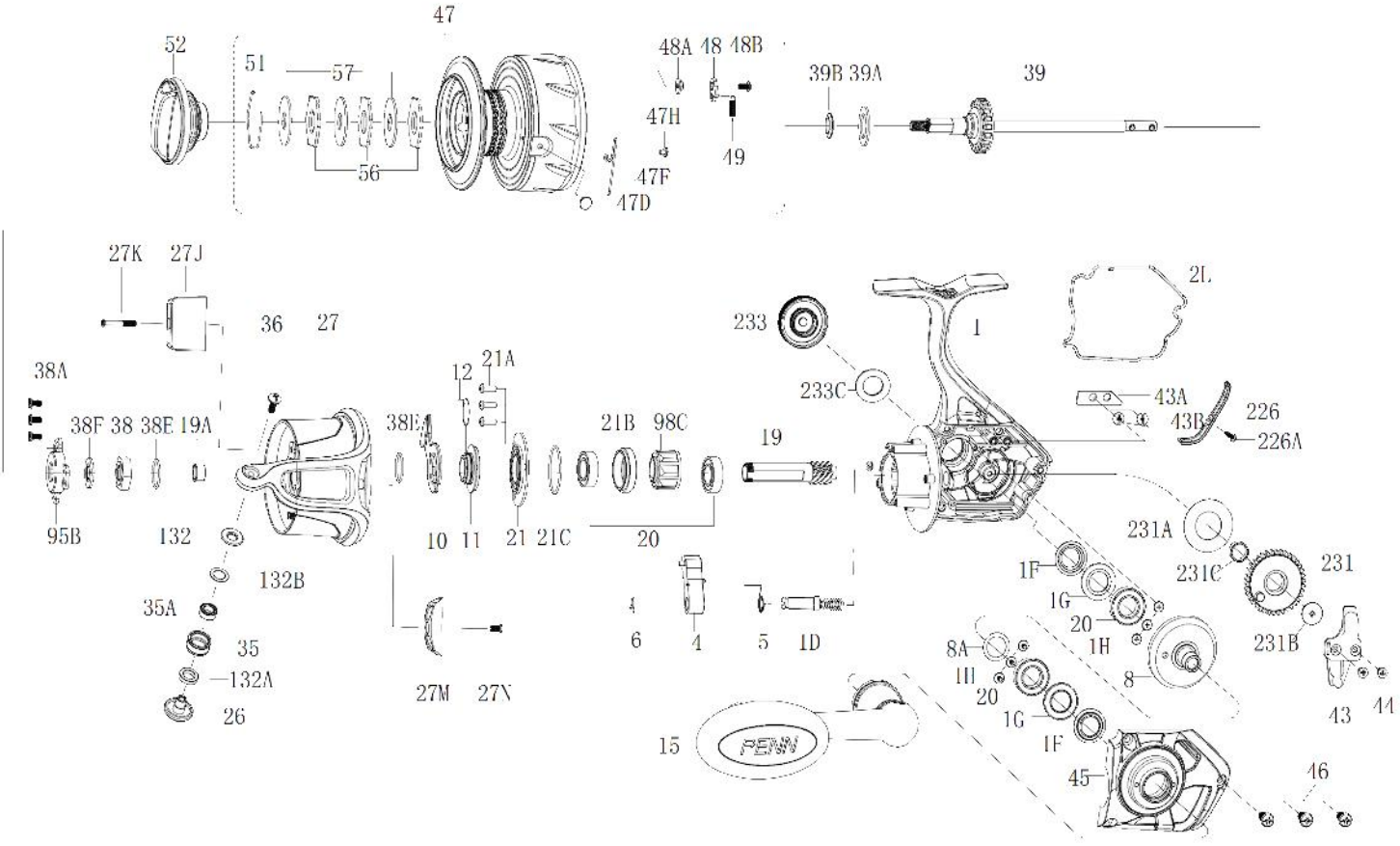


PARTS LIST FOR  
MODEL SSVI6500BLS



965 Radio Raod  
Little Egg Harbor, NJ 08087  
+1 (609) 296-1300  
www.mysticparts.com  
customerservice@mysticparts.com

MRP Ver 102118  
(based on Penn's Rev 1 30-3-18)



# Penn Reel Parts list for Model: SSVi6500BLS Spinfisher VI BAIL-LESS (1481270)

KEY	PUREFISHING	PENN PART	DESCRIPTION	KEY	PUREFISHING	PENN PART	DESCRIPTION
NO	NO.	NO.		NO	NO.	NO.	
1	1489453	1-SSVi6500BLS	HOUSING, BODY ASSEMBLY	38F	1489402	38F-SSVi5500	SEAL RING (FOR MAIN SHAFT)
1D	1277140	1D-SSV7500	A/R PAWL POST (FOUND DURING EXAM)	39	1489439	39-SSVi6500	MAIN SPOOL SHAFT
1F	1489419	1F-SSVi5500	SEAL RING (FOR MAIN GEAR) (2 REQUIRED)	39A	1489320	39A-SSVi7500	THRUST WASHER
1G	1489418	1G-SSVi5500	SEAL PLATE (2 REQUIRED)	39B	1489321	39B-SSVi7500	SPOOL SEAL
1H	1489176	1H-SSVi3500	BEARING SCREW (6 REQUIRED)	43	1489440	43-SSVi6500	OSCILLATION SLIDER (CROSSWIND BLOCK)
2L	1489447	2L-SSVi6500	SEAL FOR HOUSING BODY	43A	1489405	43A-SSVi5500	OSCILLATION SLIDER GUIDE (CROSSWIND PLATE)
4	1489448	4-SSVi6500	A/R PAWL	43B	1489213	43B-SSVi3500	SCREW (5 REQUIRED)
5	1489422	5-SSVi5500	PAWL SPRING	44	1191845	44-5000SG	CROSSWIND BLOCK SCREW (2 REQUIRED)
6	1190979	6-5000SG	RETAINING CLIP	45	1489441	45-SSVi6500	HOUSING / BODY COVER
8	1489449	8-SSVi6500	MAIN DRIVE GEAR	46	1191903	46-5000SG	HOUSING / BODY COVER SCREW (3 REQUIRED)
8A	1485572	8B-PURiii5000	SHIM, WASHER (FOR MAIN GEAR)	47	1489460	47-SSVi6500BLS	SPOOL ASSEMBLY
10	1489450	10-SSVi6500	A/R HOLDER	47D	1489408	47D-SSVi5500	LINE CLIP
11	1489425	11-SSVi5500	BUSHING (2 REQUIRED)	47F	1489218	47F-SSVi3500	LINE CLIP SPRING
12	1489426	12-SSVi5500	BUSHING SPRING	47H	1489219	47H-SSVi3500	LINE CLIP SPRING SCREW
<b>15 for Handle see below</b>							
19	1489428	19-SSVi5500	PINION GEAR	48	1211625	48-5000SG	CLICK TONGUE
19A	1489429	19A-SSVi5500	PINION GEAR WASHER	48A	1211626	48A-5000SG	CLICK TONGUE WASHER
20	1308090	20-CFT5000	BALL BEARING (4 REQUIRED)	48B	1489327	48B-SSVi7500	SPOOL CLICK SCREW
21	1489451	21-SSVi6500	PINION BEARING RETAINER	49	1211627	49-5000SG	CLICK TONGUE SPRING
21A	1192645	21A-5000SG	PINION RETAINER SCREW (3 REQUIRED)	51	1308112	51-CFT5000	DRAG WASHER RETAINING RING
21B	1489431	21B-SSVi5500	COLLAR, FOR PINION BALL BEARING	52	1489409	52-SSVi5500	DRAG KNOB ASSEMBLY
21C	1489303	21C-SSVi7500	O-RING, FOR BEARING RETAINER	56	1308114	56-CFT5000	DRAG FRICTION WASHER (3 REQUIRED)
26	1489454	26-SSVi6500BLS	LINE SLIDER	57	1192044	57-5000SG	KEYED METAL DRAG WASHER (3 REQUIRED)
27	1489455	27-SSVi6500BLS	ROTOR	95B	1489223	95B-SSVi3500	ROTOR NUT LOCKING PLATE / COVER
27J	1489456	27J-SSVi6500BLS	CLUMP WEIGHT	98C	1308116	98C-CFT5000	CLUTCH / SLEEVE ASSEMBLY
27K	1489457	27K-SSVi6500BLS	CLUMP WEIGHT SCREW	132	1489410	132-SSVi5500	LINE ROLLER COLLAR
27M	1489458	27M-SSVi6500BLS	CLUMP WEIGHT	132A	1489411	132A-SSVi5500	LINE ROLLER BUSHING
27N	1489459	27N-SSVi6500BLS	CLUMP WEIGHT SCREW	226	1489443	226-SSVi6500	REAR COVER
35	1489400	35-SSVi5500	LINE ROLLER	226A	1489227	226A-SSVi3500	REAR COVER SCREW
35A	1242222	35A-5000BTL	LINE ROLLER BALL BEARING	231	1489444	231-SSVi6500	CROSSWIND OSCILLATION GEAR
36	1191699	36-3000SG	LINE ROLLER SCREW	231A	1489445	231A-SSVi6500	CROSSWIND GEAR BUSHING
38	1489401	38-SSVi5500	ROTOR NUT	231B	1489338	231B-SSVi7500	CROSSWIND OSCILLATION GEAR SCREW
38A	1489316	38A-SSVi7500	ROTOR NUT LOCK PLATE SCREW (3 REQUIRED)	231C	1489339	231C-SSVi7500	CROSSWIND GEAR WASHER
38E	1489203	38E-SSVi3500	ROTOR O-RING (2 REQUIRED)	233	1489415	233-SSVi5500	BEARING COVER ASSEMBLY (HANDLE CAP)

## MYSTIC REEL PARTS REVISION!

NOTE: Many of [www.mysticparts.com](http://www.mysticparts.com) schematics include changes that were either made by Penn, or errors found and corrected by our parts dept.  
MRP Ver 102118 (Based on Penn's Rev.1 , 3-30-18)

## CORRECTIONS

**\*\* NOT ON REV0 BUT WAS FOUND IN THE REEL**

233C\*\* 1419076 233C-SLA5500 SEAL, HANDLE CAP SEAL

132B \*\* ?? 132B-SSVi5500 WASHER, LINE ROLLER WASHER  
PART# ASSIGNED BY MRP found during breakdown of BLS reel ONLY  
Made up part number based on the 132 part number. Will see if shows on later revisions by Penn

## HANDLES

KEY	PUREFISHING	PENN PART	DESCRIPTION
NO	NO.	NO.	
15	1489427	15-SSVi5500	HANDLE ASSEMBLY (STOCK HANDLE FOR SSVi6500BLS)
15*	1419071	15-SLA5500	HANDLE (OPTIONAL) (FROM SLAIII SERIES ALL METAL ROUND KNOB)