

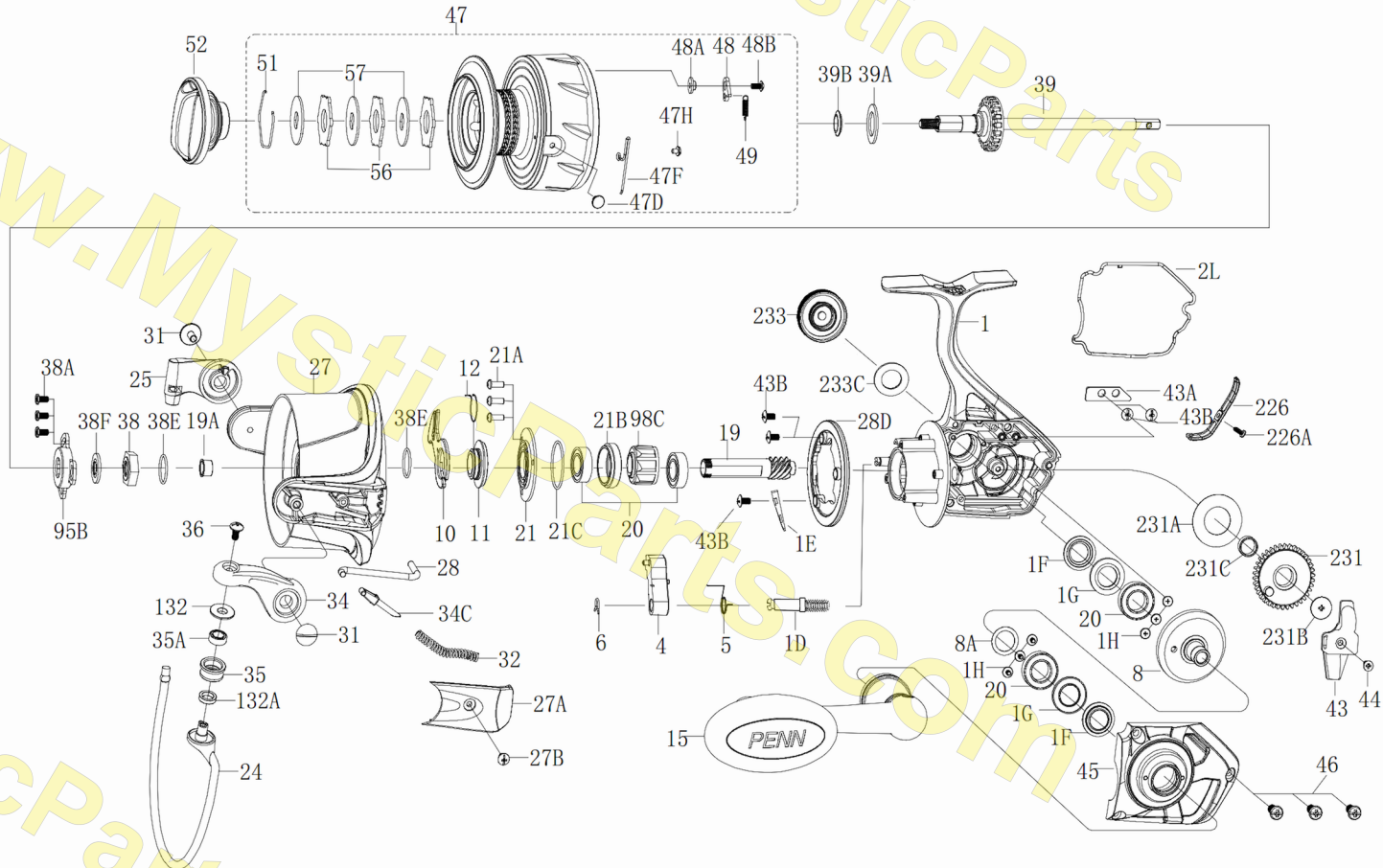


PARTS LIST FOR MODEL SSVI5500



965 Radio Road
Little Egg Harbor, NJ 08087
+1 (609) 296-1300
www.mysticparts.com
customerservice@mysticparts.com

MRP Ver 102118
(based on Penn's Rev 1 30-3-18)



Penn Reel Parts list for Model: SSVi5500 Spinfisher VI (1481263)

KEY NO	PUREFISHING NO.	PENN PART NO.	DESCRIPTION	KEY NO	PUREFISHING NO.	PENN PART NO.	DESCRIPTION
1	1489416	1-SSVi5500	HOUSING, BODY ASSEMBLY	38	1489401	38-SSVi5500	ROTOR NUT
1D	1277140	1D-SSV7500	A/R PAWL POST (FOUND DURING EXAM)	38A	1489202	38A-SSVi3500	ROTOR NUT LOCK PLATE SCREW (3 REQUIRED)
1E	1489417	1E-SSVi5500	HOUSING SLOPE	38E	1489203	38E-SSVi3500	ROTOR O-RING (2 REQUIRED)
1F	1489419	1F-SSVi5500	SEAL RING (FOR MAIN GEAR) (2 REQUIRED)	38F	1489402	38F-SSVi5500	SEAL RING (FOR MAIN SHAFT)
1G	1489418	1G-SSVi5500	SEAL PLATE (2 REQUIRED)	39	1489403	39-SSVi5500	MAIN SPOOL SHAFT
1H	1489176	1H-SSVi3500	BEARING SCREW (6 REQUIRED)	39A	1489320	39A-SSVi7500	THRUST WASHER
2L	1489420	2L-SSVi5500	SEAL FOR HOUSING BODY	39B	1489321	39B-SSVi7500	SPOOL SEAL
4	1489421	4-SSVi5500	A/R PAWL	43	1489404	43-SSVi5500	OSCILLATION SLIDER (CROSSWIND BLOCK)
5	1489422	5-SSVi5500	PAWL SPRING	43A	1489405	43A-SSVi5500	OSCILLATION SLIDER GUIDE (CROSSWIND PLATE)
6	1190979	6-5000SG	RETAINING CLIP	43B	1489213	43B-SSVi3500	SCREW (5 REQUIRED)
8	1489423	8-SSVi5500	MAIN DRIVE GEAR	44	1191845	44-5000SG	CROSSWIND BLOCK SCREW
8A	1485572	8B-PURiii5000	SHIM, WASHER (FOR MAIN GEAR)	45	1489406	45-SSVi5500	HOUSING / BODY COVER
10	1489424	10-SSVi5500	A/R HOLDER	46	1191903	46-5000SG	HOUSING / BODY COVER SCREW (3 REQUIRED)
11	1489425	11-SSVi5500	BUSHING (2 REQUIRED)	47	1489407	47-SSVi5500	SPOOL ASSEMBLY
12	1489426	12-SSVi5500	BUSHING SPRING	47D	1489408	47D-SSVi5500	LINE CLIP
15 for Handle see below				47F	1489218	47F-SSVi3500	LINE CLIP SPRING
19	1489428	19-SSVi5500	PINION GEAR	47H	1489219	47H-SSVi3500	LINE CLIP SPRING SCREW
19A	1489429	19A-SSVi5500	PINION GEAR WASHER	48	1211625	48-5000SG	CLICK TONGUE
20	1308090	20-CFT5000	BALL BEARING (4 REQUIRED)	48A	1211626	48A-5000SG	CLICK TONGUE WASHER
21	1489430	21-SSVi5500	PINION BEARING RETAINER	48B	1489327	48B-SSVi7500	SPOOL CLICK SCREW
21A	1192645	21A-5000SG	PINION RETAINER SCREW (3 REQUIRED)	49	1211627	49-5000SG	CLICK TONGUE SPRING
21B	1489431	21B-SSVi5500	COLLAR, FOR PINION BALL BEARING	51	1308112	51-CFT5000	DRAG WASHER RETAINING RING
21C	1489303	21C-SSVi7500	O-RING, FOR BEARING RETAINER	52	1489409	52-SSVi5500	DRAG KNOB ASSEMBLY
24	1489432	24-SSVi5500	BAIL WIRE	56	1308114	56-CFT5000	DRAG FRICTION WASHER (3 REQUIRED)
25	1489391	25-SSVi5500	BAIL HOLDER (BAIL CAM)	57	1192044	57-5000SG	KEYED METAL DRAG WASHER (3 REQUIRED)
27	1489392	27-SSVi5500	ROTOR	95B	1489223	95B-SSVi3500	ROTOR NUT LOCKING PLATE / COVER
27A	1489393	27A-SSVi5500	BAIL PIVOT COVER	98C	1308116	98C-CFT5000	CLUTCH / SLEEVE ASSEMBLY
27B	1203997	43B-3000PUR	SCREW FOR ROTOR COVER (AKA BAIL PIVOT)	132	1489410	132-SSVi5500	LINE ROLLER COLLAR
28	1489394	28-SSVi5500	TRIP LEVER	132A	1489411	132A-SSVi5500	LINE ROLLER BUSHING
28D	1489395	28D-SSVi5500	ROTOR BRAKE	226	1489412	226-SSVi5500	REAR COVER
31	1489196	31-SSVi5500	BAIL ARM SCREW (2 REQUIRED)	226A	1489227	226A-SSVi3500	REAR COVER SCREW
32	1489397	32-SSVi5500	BAIL SPRING	231	1489413	231-SSVi5500	CROSSWIND OSCILLATION GEAR
34	1489398	34-SSVi5500	BAIL ARM	231A	1489414	231A-SSVi5500	CROSSWIND GEAR BUSHING
34C	1489399	34C-SSVi5500	PIVOT ARM	231B	1489338	231B-SSVi7500	CROSSWIND OSCILLATION GEAR SCREW
35	1489400	35-SSVi5500	LINE ROLLER	231C	1489339	231C-SSVi7500	CROSSWIND GEAR WASHER
35A	1242222	35A-5000BTL	LINE ROLLER BALL BEARING	233	1489415	233-SSVi5500	BEARING COVER ASSEMBLY (HANDLE CAP)
36	1191699	36-3000SG	LINE ROLLER SCREW				

CORRECTIONS

233C** 1419076 233C-SLA5500 SEAL, HANDLE CAP SEAL

**** NOT ON REV0 BUT WAS FOUND IN THE REEL**

HANDLES

KEY NO	PUREFISHING NO.	PENN PART NO.	DESCRIPTION
15	1489427	15-SSVi5500	HANDLE ASSEMBLY (STOCK HANDLE FOR SSVi5500)
15*	1419071	15-SLA5500	HANDLE (OPTIONAL) (FROM SLAIII SERIES ALL METAL ROUND KNOB)

MYSTIC REEL PARTS REVISION!

NOTE: Many of www.mysticparts.com schematics include changes that were either made by Penn, or errors found and corrected by our parts dept.
MRP Ver 102118 (Based on Penn's Rev.1 , 3-30-18)