

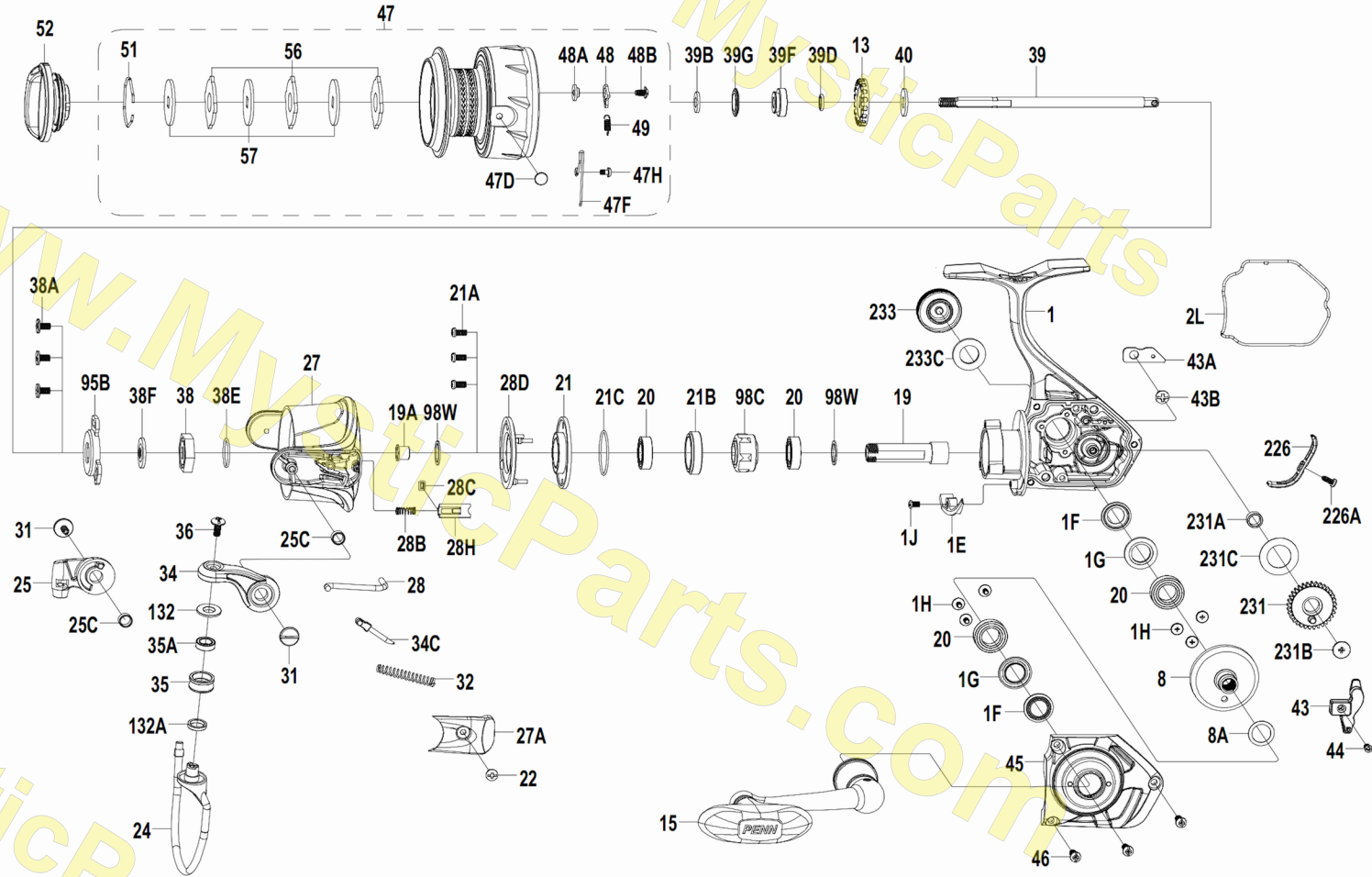


PARTS LIST FOR
MODEL SSVI2500

mysticparts.com
**MYSTIC
REEL PARTS**
965 Radio Raod
Little Egg Harbor, NJ 08087
+1 (609) 296-1300
www.mysticparts.com
customerservice@mysticparts.com

MRP Ver 102118

(based on Penn's Rev 0 1-22-18)



Penn Reel Parts list for Model: SSVi2500 Spinfisher VI (1481260)

KEY	PUREFISHING	PENN PART	DESCRIPTION	KEY	PUREFISHING	PENN PART	DESCRIPTION
NO	NO.	NO.		NO	NO.	NO.	
1	1489250	1-SSVi2500	HOUSING, BODY ASSEMBLY	39B	1489206	39B-SSVi3500	THRUST WASHER
1E	1489251	1E-SSVi2500	HOUSING SLOPE	39D	1489207	39D-SSVi3500	SPOOL BUSHING SEAL RING
1F	1489174	1F-SSVi3500	SEAL RING (FOR MAIN GEAR) (2 REQUIRED)	39F	1489208	39F-SSVi3500	SPOOL BUSHING
1G	1489175	1G-SSVi3500	SEAL PLATE (2 REQUIRED)	39G	1489209	39G-SSVi3500	SPOOL SEAL RING
1H	1489176	1H-SSVi3500	BEARING SCREW (6 REQUIRED)	40	1489210	40-SSVi3500	MAIN SHAFT WASHER
1J	1489177	1J-SSVi3500	HOUSING SLOPE SCREW	43	1489273	43-SSVi2500	OSCILLATION SLIDER (CROSSWIND BLOCK)
2L	1489252	2L-SSVi2500	SEAL FOR HOUSING BODY	43A	1489274	43A-SSVi2500	OSCILLATION SLIDER GUIDE (CROSSWIND PLATE)
8	1489179	8-SSVi3500	MAIN DRIVE GEAR	43B	1489213	43B-SSVi3500	CROSSWIND OSCILLATION SLIDER BUSHING SCREW
8A	1191028	8A-3000SG	SHIM, WASHER (FOR MAIN GEAR)	44	1489214	44-SSVi3500	CROSSWIND BLOCK SCREW
13	1489180	13-SSVi3500	CLICK RATCHET	45	1489275	45-SSVi2500	HOUSING / BODY COVER
15 for Handle see below							
19	1489254	19-SSVi2500	PINION GEAR	46	1192645	21A-5000SG	HOUSING / BODY COVER SCREW (3 REQUIRED)
19A	1191252	19A-3000SG	PINION GEAR WASHER	47	1489276	47-SSVi2500	SPOOL ASSEMBLY
20	1308050	20-CFT3000	BALL BEARING (4 REQUIRED)	47D	1489217	47D-SSVi3500	LINE CLIP
21	1489255	21-SSVi2500	PINION BEARING RETAINER	47F	1489218	47F-SSVi3500	LINE CLIP SPRING
21A	1489184	21A-SSVi3500	PINION RETAINER SCREW (3 REQUIRED)	47H	1489219	47H-SSVi3500	LINE CLIP SPRING SCREW
21B	1489256	21B-SSVi2500	COLLAR, FOR PINION BALL BEARING	48	1489277	48-SSVi2500	CLICK TONGUE
22	1203978	22-3000PUR	SCREW FOR ROTOR COVER (AKA BAIL PIVOT)	48A	1214226	48A-3000SG	CLICK TONGUE WASHER
25	1489259	25-SSVi2500	BAIL HOLDER (BAIL CAM)	48B	1489220	48B-SSVi3500	SPOOL CLICK SCREW
27	1489261	27-SSVi2500	ROTOR	49	1211605	49-3000SG	CLICK TONGUE SPRING
28B	1489193	28B-SSVi3500	ROTOR BRAKE SPRING	51	1308078	51-CFT3000	DRAG WASHER RETAINING RING
28C	1489264	28C-SSVi2500	RUBBER SLEEVE	52	1489278	52-SSVi2500	DRAG KNOB ASSEMBLY
28D	1489265	28D-SSVi2500	ROTOR BRAKE	56	1308080	56-CFT3000	DRAG FRICTION WASHER (3 REQUIRED)
28H	1489266	28H-SSVi2500	ROTOR BRAKE	57	1489222	57-SSVi3500	KEYED METAL DRAG WASHER (3 REQUIRED)
31	1489267	31-SSVi2500	BAIL ARM SCREW (2 REQUIRED)	95B	1489223	95B-SSVi3500	ROTOR NUT LOCKING PLATE / COVER
32	1489268	32-SSVi2500	BAIL SPRING	98C	1489279	98C-SSVi2500	CLUTCH / SLEEVE ASSEMBLY
34	1489269	34-SSVi2500	BAIL ARM	98W**	1204004	98W-3000PUR	CLUTCH WASHER (2 REQUIRED)
34C	1489270	34C-SSVi2500	PIVOT ARM	132	1489280	132-SSVi2500	LINE ROLLER COLLAR
35	1489271	35-SSVi2500	LINE ROLLER	132A	1489281	132A-SSVi2500	LINE ROLLER BUSHING
35A	1489200	35A-SSVi3500	LINE ROLLER BALL BEARING	226	1489282	226-SSVi2500	REAR COVER
36	1251748	36-1000FRC	LINE ROLLER SCREW	226A	1489283	226A-SSVi2500	REAR COVER SCREW
38	1489201	38-SSVi3500	ROTOR NUT	231	1489284	231-SSVi2500	CROSSWIND OSCILLATION GEAR
38A	1489202	38A-SSVi3500	ROTOR NUT LOCK PLATE SCREW (3 REQUIRED)	231A	1489229	231A-SSVi3500	CROSSWIND GEAR BUSHING
38E	1489203	38E-SSVi3500	ROTOR O-RING	231B	1489230	231B-SSVi3500	CROSSWIND OSCILLATION GEAR SCREW
38F	1489204	38F-SSVi3500	SEAL RING (FOR MAIN SHAFT)	231C	1489285	231C-SSVi2500	CROSSWIND GEAR WASHER
39	1489272	39-SSVi2500	MAIN SPOOL SHAFT	233	1489286	233-SSVi3500	BEARING COVER ASSEMBLY (HANDLE CAP)

CORRECTIONS

233C** 1419016 233C-SLA3500 SEAL, HANDLE CAP SEAL

**** NOT ON REV0 BUT WAS FOUND IN THE REEL**

**TYP0

98W was mislabeled on Rev0 as 98Y-3000SG, correct part is 98W-3000PUR

HANDLES

KEY	PUREFISHING	PENN PART	DESCRIPTION
NO	NO.	NO.	
15	1489253	15-SSVi2500	HANDLE ASSEMBLY (STOCK HANDLE FOR SSVi4500)

NOTE: NONE of the larger SSVi handles, including the SSVi250LL live liner, will fit on the SSVi2500 because the diameter of the handle collar is smaller on this model

MYSTIC REEL PARTS REVISION!

NOTE:

Many of www.mysticparts.com schematics include changes that were either made by Penn, or errors found and corrected by our parts dept.

MRP Ver 102118 (Based on Penn's Rev. 0 , 1-22-18)