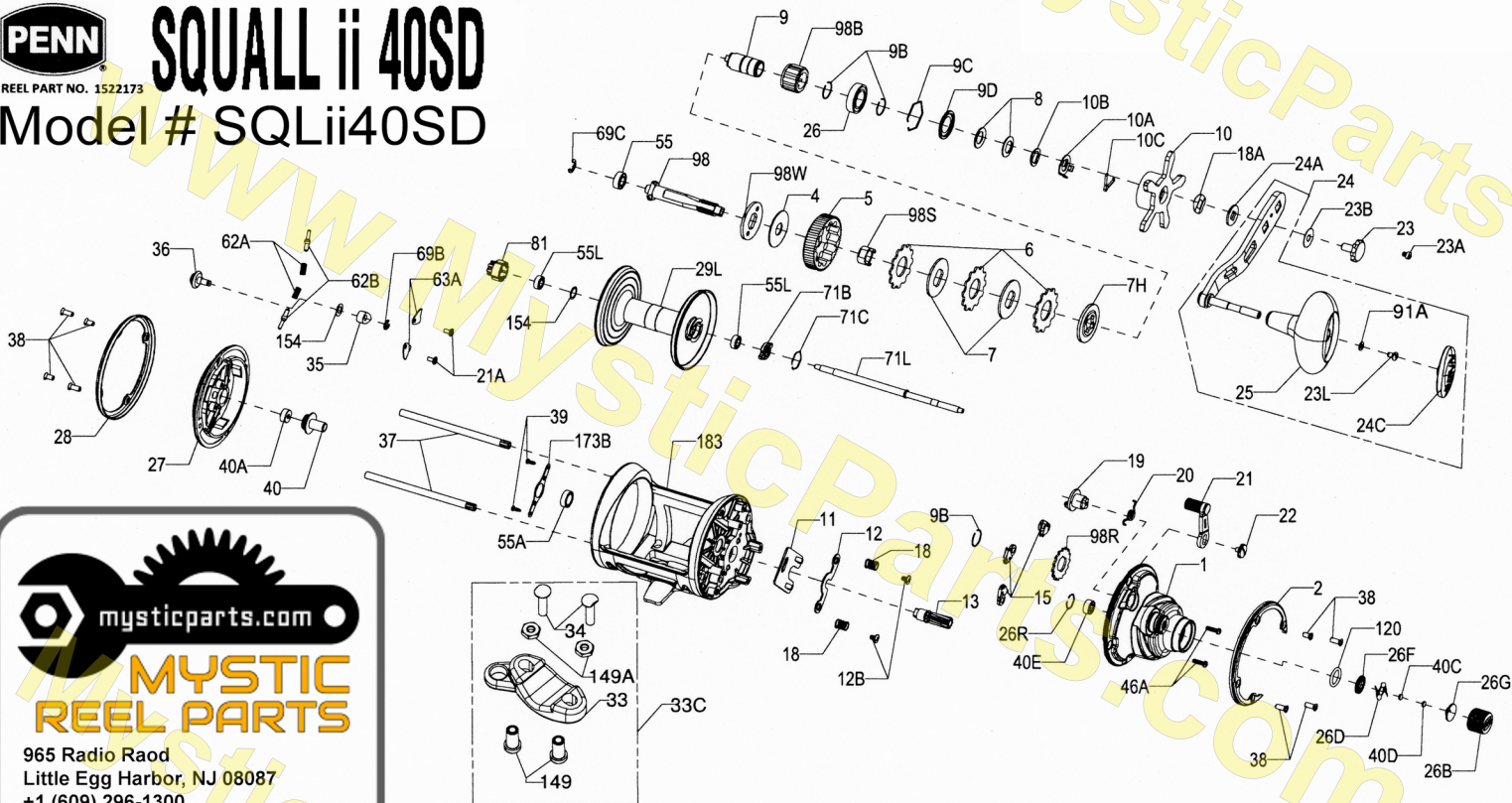




REEL PART NO. 1522173

SQUALL ii 40SD

Model # SQLii40SD



mysticparts.com

MYSTIC REEL PARTS

965 Radio Road
Little Egg Harbor, NJ 08087
+1 (609) 296-1300
www.mysticparts.com
customerservice@mysticparts.com

MRP VER. 080522

(Based on Penn's Rev0, 12-30-19)

Penn Reel Parts list for SQLii40SD Squall Star Drag Reel (1522173)

KEY NO	Penn Part Number	PureFishing Part#	DESCRIPTION
1	1-SQLii40SD	1526425	HANDLE SIDE PLATE (RIGHT HANDED)
2	2-SQLii40SD	1526431	RING, HANDLE SIDE PLATE (RIGHT HANDED)
4	4-FTHii30LW	1488726	FIBER WASHER
5	5-SQLii40SD	1526433	MAIN GEAR (RIGHT HANDED)
6	6-TRQ40	1237037	FRICITION DRAG WASHER (3 REQUIRED)
7	7-FTHii12SD	1516068	WASHER, KEYED METAL DRAG WASHER (2 REQUIRED)
7H	7H-FTHii12SD	1516139	WASHER, HEAVY METAL DRAG WASHER
8	8-FTH20LW	1188709	TENSION SPRING WASHER (AKA 8-20) (2 REQUIRED)
9	9-FTHii40SD	1516200	SPACER SLEEVE
9B	9B-FTHii30LW	1488732	RETAINING RING (2 REQUIRED)
9C	9C-FTHii30LW	1488733	RETAINING RING, HEX
9D	9D-FTHii30LW	1488734	BEARING COVER
10	10-SQLii15SD	1526437	STAR DRAG (RIGHT HANDED)
10A	10A-FTH20LW	1188711	STAR CLICK RETAINER (AKA 10A-20)
10B	10B-FTH20LW	1188710	STAR CLICK SPRING (AKA 10B-20)
10C	10C-525MAG2	1188712	DETENT SPRING
11	11-525MAG2	1214528	ECCENTRIC JACK
12	12-525MAG2	1214649	PINION YOKE
12B	12B-SQLiiSD	1526440	SCREW, PINION YOKE SCREW (2 REQUIRED)
13	13-SQLii40SD	1526441	PINION GEAR (RIGHT HANDED)
18	18-525	1181624	TENSION SPRING(2 REQUIRED)
18A	18A-FTH20LW	1188714	CLUTCH SPRING (AKA 18A-20) (2 REQUIRED)
19	19-SQLii40SD	1526445	ECCENTRIC (RIGHT HANDED)
20	20-525	1181785	ECCENTRIC SPRING (RIGHT HANDED)
21	21-SQLii40SD	1526449	ECCENTRIC LEVER
21A	21A-420G	1214652	SCREW (4 REQUIRED)
22	22-SQLiiSD	1526450	ECCENTRIC SCREW
23	23-FTH20LW	1208117	HANDLE NUT
23A	23A-FTH20LW	1188717	HANDLE LOCK SCREW (AKA 23A-20)
23B	23B-FTH20LW	1207784	HANDLE SCREW WASHER (AKA 23B-20)
24, 24A, 24C, 25, 23L, 91A HANDLE ITEMS SEE BELOW			
26	26-TRQ40NLD2	1265023	BALL BEARING
26B	26B-FTHii30LW	1488746	SPOOL TENSION CAP
26D	26D-525MAG2	1125769	CLICK SPRING
26F	26F-525MAG2	1125768	CLICK PLATE "INNER"
26G	26G-525MAG2	1125772	CLICK PLATE "OUTER"
26R	26R-525MAG2	1214654	RETAINING RING
27	27-SQLii40SD	1525465	NON-HANDLE SIDE PLATE (RIGHT HANDED)
28	28-SQLii40SD	1526471	NON-HANDLE SIDE RING
29L	29L-SQLii25NSD	1526475	ALUMINUM SPOOL

HANDLE ASSEMBLY AND COMPONENTS

KEY NO	Penn Part Number	PureFishing Part#	DESCRIPTION
24	24-SQLii40SD	1526451	HANDLE ASSEMBLY
24A	24A-FTH20LW	1188715	HANDLE THRUST WASHER (AKA 24A-20)
24C	24C-66	1191335	HANDLE KNOB CAP
25	25-TRQ40	1240293	HANDLE KNOB
23L	23L-750	1191283	SCREW
91A	91A-TRQ40NLD2	1277514	HANDLE KNOB WASHER

KEY NO	Penn Part Number	PureFishing Part#	DESCRIPTION
33, 33C, 34, 34C, 149, 149A CLAMP PARTS SEE BELOW			
35	35-525MAG2	1214660	CLICK TONGUE
36	36-525MAG2	1214661	CLICK BUTTON
37	37-SQL40	1276629	FRAME POST (2 REQUIRED)
38	38-SQLii15SD	1526483	SCREW (6 REQUIRED)
39	39-525	1183220	NON-HANDLE SIDE INTERIOR RETAINER SCREW
40	40-525MAG2	1214664	BUSHING, LEFT SIDE SPINDLE
40A	40A-FTHSD12	1242804	BEARING
40C	40C-525MAG2	1208115	METAL THRUST WASHER
40D	40D-525MAG2	1125771	RUBBER THRUST WASHER
40E	40-FTH20LW	1188661	BEARING (AKA 40-20)
46A	46A-SQLii40SD	1526486	HANDLE SIDE PLATE INTERIOR SCREW (2 REQUIRED)
55	55-FTH20LW	1188681	BALL BEARING (AKA 55-20) (6X12X4)
55A	55-525MAG2	1214665	BALL BEARING
55L	55L-965	1192031	BALL BEARING (2 REQUIRED)
62A	62A-310	1184033	CLICK SPRING (2 REQUIRED)
62B	62B-310	1192075	CLICK PIN (2 REQUIRED)
63A	63A-525MG2	1214668	CLICK SPRING COVER (2 REQUIRED)
69B	69B-600	1184129	RETAINING RING
69C	69B-FTH40LW	1208064	RETAINING RING (AKA 69B-40)
71B	71B-SQLii40SD	1526493	CLUTCH PLATE AKA SPOOL DRIVER (RIGHT HANDED)
71C	71C-TRQ40	1230227	CLUTCH PLATE RETAINER
71L	71L-SQLii30SD	1526492	SPOOL SPINDLE
81	81-525MAG	1184210	CLICK RATCHET
98	98-SQLii40SD	1526499	GEAR STUD (RIGHT HANDED)
98B	98B-FTHii30LW	1488764	IAR BEARING (ANTI-REVERSE)
98R	98R-FTHii30LW	1488765	RATCHET
98S	98S-FTHii30LW	1488766	GEAR STUD BUSHING
98W	98W-FTHii30LW-1	1516218	THRUST WASHER
120	120-113H	1184522	O-RING
154	154-SQLSD	1276694	SHIM, SPOOL BEARING SHIM (ONLY AS NEEDED)
173B	173B-525MAG2	1214678	BEARING RETAINER
183	183-SQLii40SD	1526511	FRAME ASSEMBLY (RIGHT HANDED)

MYSTIC REEL PARTS REVISION!

NOTE:

Many of www.mysticparts.com schematics include changes that were either made by Penn, or errors found and corrected by our parts dept.

MRP VER. 080522 (Based on Penn's Rev0, 12-30-19)

CLAMP KIT AND COMPONENTS

KEY NO	Penn Part Number	PureFishing Part#	DESCRIPTION
33C	33C-525MAG2	1214659	ROD CLAMP KIT
33	33N-113	1182754	ROD CLAMP W/SIDE RING
34	34-45	1182788	ROD CLAMP SCREW (2 REQUIRED)
34C	34C-45	1182862	ROD CLAMP SCREWS W/ NUTS
149	149-45	1184702	ROD CLAMP NUT (2 REQUIRED)
149A	149-200	1184706	ROD CLAMP HEX NUT (2 REQUIRED)

CONVERSION STANDARD TO LEFT HAND OR VISA VERSA, SEE ALL "RIGHT HANDED" OR "LEFT HANDED" PARTS ON THE VERSION YOU WANT TO SWITCH TO

<https://www.mysticparts.com/PennParts/PennSQLii40SD.aspx>