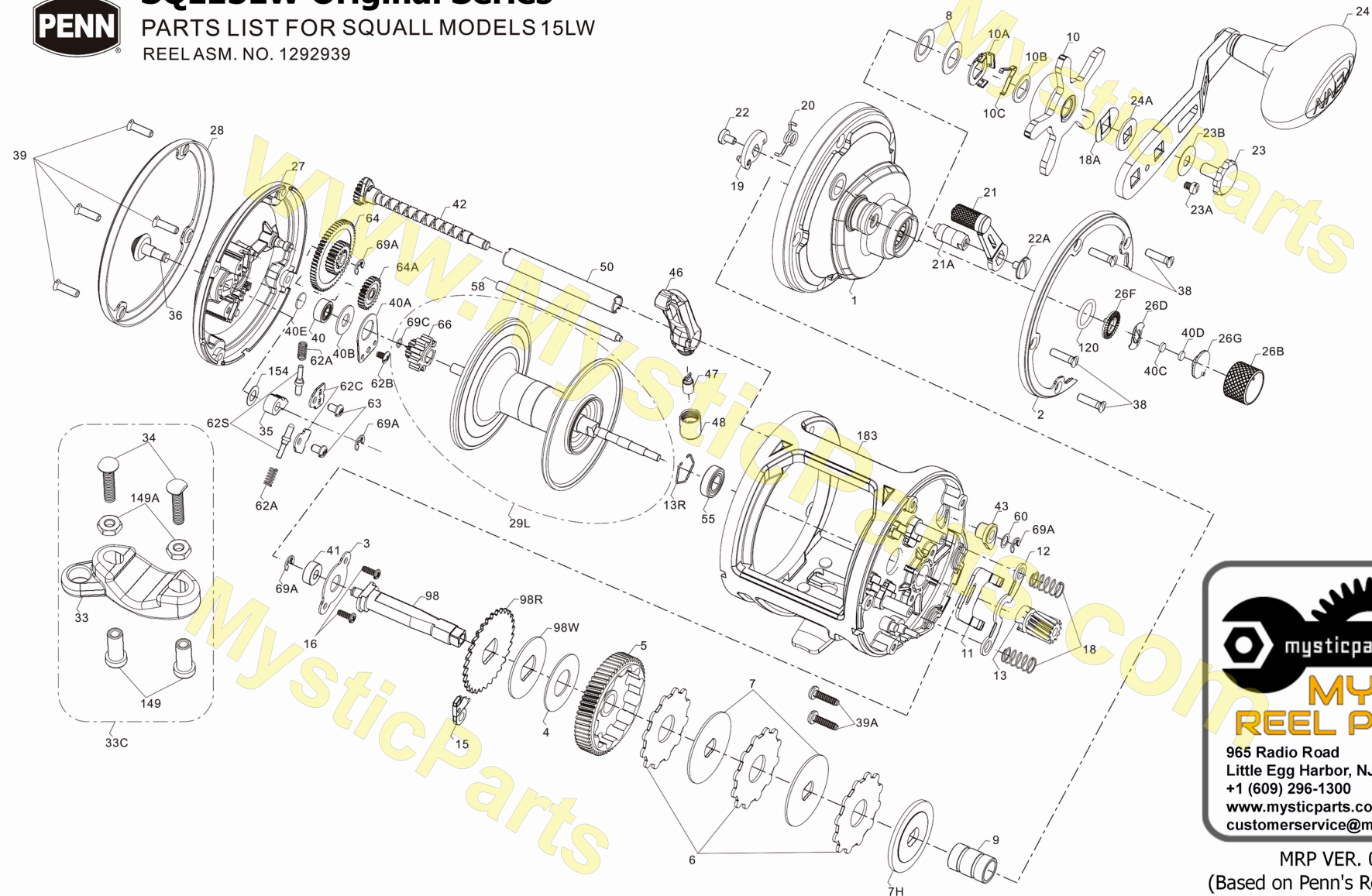




SQL15LW Original Series

PARTS LIST FOR SQUALL MODELS 15LW

REEL ASM. NO. 1292939



mysticparts.com

MYSTIC REEL PARTS

965 Radio Road
 Little Egg Harbor, NJ 08087
 +1 (609) 296-1300
 www.mysticparts.com
 customerservice@mysticparts.com

MRP VER. 013121
 (Based on Penn's Rev 1, 4-6-2013)

Penn Reel Parts list for Model: SQL15LW Squall 15 Levelwind (1292939)

KEY	Penn Part	PureFishing		KEY	Penn Part	PureFishing	
<u>NO</u>	<u>Number</u>	<u>Part#</u>	<u>DESCRIPTION</u>	<u>NO</u>	<u>Number</u>	<u>Part#</u>	<u>DESCRIPTION</u>
1	1-SQL15LW	1308741	HANDLE SIDE PLATE	38	38-SQLLW	1308760	SCREW (4 REQ.)
2	2-SQL15LW	1308742	RING, HANDLE SIDE PLATE	39	39-SQLLW	1308761	SCREW (3 REQ.)
3	3-SQL15LW	1308743	BRIDGE	39A	39A-30SLD	1258668	SCREW, SELF-TAPPING (2 REQ.)
4	4-60	1180755	FIBER WASHER	40	40-FTH20LW	1188661	BALL BEARING
5	5-SQL15LW	1308744	MAIN GEAR	40A	40A-FTH20LW	1188663	BALL BEARING RETAINER
6	6-TRQ40	1237037	FRICITION DRAG WASHER (3 REQ.)	40B	40B-FTH20LW	1188662	FELT WASHER
7	86-49L	1184251	KEYED METAL DRAG WASHER (2 REQ.)	40C	40C-525MAG2	1208115	METAL THRUST WASHER
7H	7H-FTHSD12	1242788	HEAVY METAL DRAG WASHER	40D	40D-525MAG2	1125771	RUBBER THRUST WASHER
8	8-FTH20LW	1188709	TENSION SPRING WASHER (2 REQ.)	40E	40E-SQLLW	1308762	BRONZE WASHER
9	9-FTH20LW	1188708	SLEEVE, SPACER SLEEVE	41	41-SQL15LW	1308763	BUSHING
10	10-FTH20LW	1188713	STAR DRAG	42	42-FTH15LW	1188666	WORM SHAFT ASSEMBLY
10A	10A-FTH20LW	1188711	STAR CLICK RETAINER	43	43-FTH20LW	1188669	WORM SHAFT BUSHING
10B	10B-FTH20LW	1188710	STAR CLICK WASHER	46	46-FTH20LW	1208119	LINE GUIDE ASSEMBLY
10C	10C-525MAG2	1188712	STAR CLICK SPRING	47	47-FTH20LW	1188672	LINE GUIDE PAWL
11	11-SQL15LW	1308745	ECCENTRIC JACK	48	48-FTH20LW	1208120	LINE GUIDE NUT
12	12-SQL15LW	1308746	PINION YOKE	50	50-FTH15LW	1188667	WORM SHIELD
13	13-SQL15LW	1308747	PINION GEAR	55	55-SQL15LW	1308764	BALL BEARING
13R	13R-SQL15LW	1308748	RETAINING RING	58	58-FTH15LW	1188668	LINE GUIDE POST
15	15-FTH20LW	1188675	ANTI REVERSE DOG	60	60-FTH20LW	1188670	WORM SHAFT WASHER
16	16-SQLLW	1308749	SCREW (2 REQ.)	62A	62A-310	1184033	CLICK SPRING (2 REQ.)
18	18-FTH20LW	1188688	PINION YOKE SPRING (2 REQ.)	62B	62B-SQLLW	1188722	BEARING RETAINER SCREW
18A	18A-FTH20LW	1188714	KEYED SPRING WASHER	62C	62C-321LH	1184041	CLICK SPRING COVER (2 REQ.)
19	19-SQL15LW	1308750	ECCENTRIC	62S	62S-SQLLW	1308765	CLICK PIN (2 REQ.)
20	20-FTH20LW	1188689	ECCENTRIC SPRING	63	63-500S	1184052	CLICK SPRING SCREW (2 REQ.)
21	21-SQL15LW	1308751	ECCENTRIC LEVER	64	64-FTH20LW	1188658	IDLER GEAR
21A	21A-SQL15LW	1308752	ECCENTRIC PIN	66	66-FTH20LW	1188678	SPOOL GEAR CLICK RATCHET
22	22-FTH20LW	1188690	ECCENTRIC SCREW	69A	69A-FTH20LW	1188659	RETAINER 3*7 (4 REQ.)
22A	22-525MAG2	1214705	ECCENTRIC LEVER SCREW	69C	69C-FTH20LW	1188677	RETAINER "C" RING
23	23-FTH20LW	1208117	HANDLE NUT	98	98-FTH20LW	1188700	MAIN GEAR SHAFT
23A	23A-FTH20LW	1188717	HANDLE LOCK SCRE4W	98R	98R-FTHSD12	1242800	ANTI REVERSE RATCHET
23B	23B-FTH20LW	1207784	HANDLE SCREW WASHER	98W	98W-FTHSD12	1242801	RATCHET THRUST WASHER
24	24-SQLSD	1276618	HANDLE	120	120-SQLLW	1308766	O-RING
24A	24A-FTH20LW	1188715	HANDLE THRUST WASHER	149	149-45	1184702	ROD CLAMP NUT (2 REQ.)
26B	26B-SQLLW	1308753	SPOOL TENSION CAP	149A	149-200	1184706	ROD CLAMP HEX NUT (2 REQ.)
26D	26D-525MAG2	1125769	SPOOL TENSION CLICK SPRING	154	154-117	1184721	CLICK BUTTON WASHER
26F	26F-525MAG2	1125768	SPOOL TENSION RATCHET "INNER"	154A	154A-SQL15LW	1308767	MAIN GEAR SHAFT WASHER
26G	26G-525MAG2	1125772	SPOOL TENSION RATCHET "OUTER"	183	183-SQL15LW	1308768	FRAME
27	27-SQL15LW	1308754	NON-HANDLE SIDE PLATE				
28	28-SQL15LW	1308755	NON-HANDLE SIDE RING				
29L	29L-SQL15LW	1308757	ALUMINUM SPOOL				
33	33N-113	1182754	ROD CLAMP				
33C	33C-SQLSD	1276626	ROD CLAMP KIT				
34	34-45	1182788	ROD CLAMP SCREW (2 REQ.)				
34C	34C-45	1182862	ROD CLAMP SCREWS W/ NUTS				
35	35-SQLLW	1308758	CLICK TONGUE				
36	36-SQLLW	1308759	CLICK BUTTON				

MYSTIC REEL PARTS REVISION!

NOTE:

Many of www.mysticparts.com schematics include changes that were either made by Penn, or errors found and corrected by our parts dept.

MRP VER. 013121 (Based on Penn's Rev 2, 9-19-2014)

1/8/2024 PART DESCRIPTION FOR KEY #9 CORRECTED