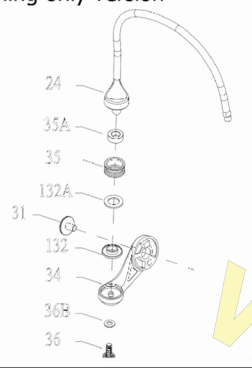
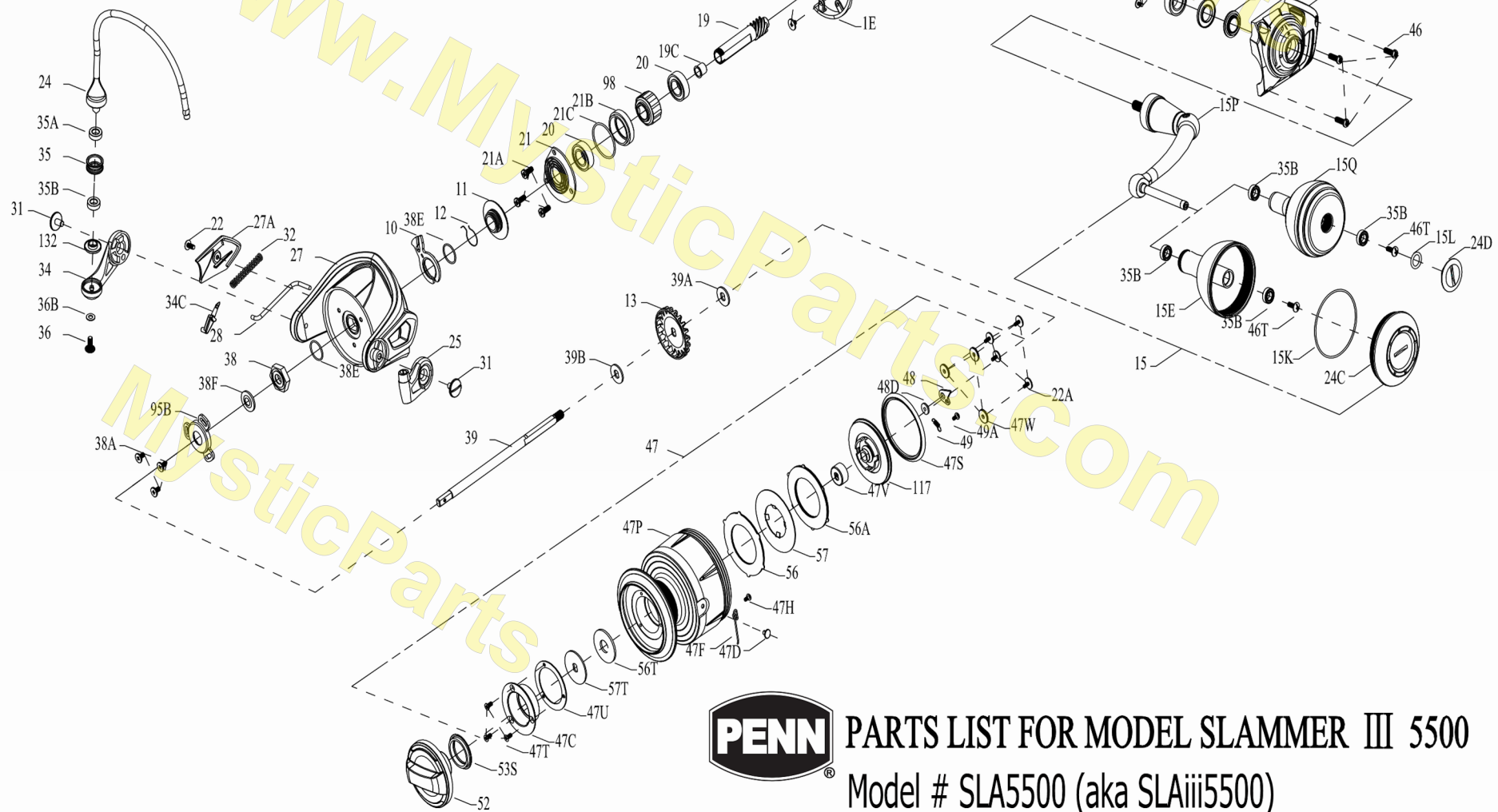


ORIGINAL BAIL SETUP  
With different bail, roller etc.  
Bushing only version



**mysticparts.com**  
**MYSTIC REEL PARTS**  
 965 Radio Raod  
 Little Egg Harbor, NJ 08087  
 +1 (609) 296-1300  
 www.mysticparts.com  
 customerservice@mysticparts.com

MRP Ver 010120  
(based on Penn's Rev. 1 07-01-17)



**PENN** PARTS LIST FOR MODEL SLAMMER III 5500  
Model # SLA5500 (aka SLAiii5500)

## Penn Reel Parts list for Model: SLA5500 (SLAiii5500) SLAMMER iii SPINNING

## (AUTOMATIC BAIL TRIP)

## KEY PUREFISHING PART

NO	NO	NO.	DESCRIPTION
1	1419017	1-SLA5500	BODY/HOUSING
1D	1277140	1D-SSV7500	A/R PAWL POST
<b>1E</b>	<b>see info on pg 3</b>		
1F	1419019	1F-SLA5500	BODY BALL BEARING SEAL (2 REQUIRED)
1G	1419020	1G-SLA5500	BODY SIDE SEAL LOCK PLATE (2 REQUIRED)
1H	1418957	1H-SLA3500	BODY SIDE SCREW (6 REQUIRED)
2L	1419035	2L-SLA5500	BODY SEAL
4	1339473	4-CLA5000	A/R PAWL
5	1339474	5-CLA5000	PAWL SPRING
6	1277144	6-SSV7500	RETAINER CLIP
8	1419034	8-SLA5500	DRIVE GEAR (MAIN GEAR)
8A	1277037	8A-SSV5500	DRIVE GEAR SHIM WASHER (MAY USE 1 TO 6)
10	1339476	10-CLA5000	A/R PAWL HOLDER
11	1419028	11-SLA5500	A/R BUSHING
12	1339487	12-CLA5000	A/R BUSHING SPRING
13	1419053	13-SLA5500	CLICK GEAR
<b>15</b>	<b>ALL HANDLE COMPONENTS SEE PG 3</b>		
19	1419022	19-SLA5500	PINION GEAR
19C	1419023	19C-SLA5500	PINION GEAR BUSHING
20	1308090	20-CFT5000	BALL BEARING (4 REQUIRED)
21	1419025	21-SLA5500	BALL BEARING RETAINER
21A	1277154	21A-SSV7500	RETAINER SCREW (3 REQUIRED)
21B	1419024	21B-SLA5500	PINION BALL BEARING COLLAR
21C	1385684	21C-CLA8000	BODY HEAD SEAL (O'RING)
22	1125962	231G-7000AF	SCREW
<b>22A</b>	<b>see info on pg 3</b>		
<b>24</b>	<b>ALL BAIL WIRE COMPONENTS SEE PG 3</b>		
27	1419041	27-SLA5500	ROTOR
27A	1419045	27A-SLA5500	ROTOR COVER
28	1419043	28-SLA5500	ROTOR TRIP LEVER
28D	1339509	28D-CLA5000	ROTOR BRAKE (ROUND)
28S	1339512	28S-CLA5000	ROTOR BRAKE SCREW (2 REQUIRED)
31	1277055	31-SSV5500	BAIL ARM SCREW (2 REQUIRED)
32	1389467	32-CLA6000	BAIL SPRING
34	1339516	34-CLA5000	BAIL ARM
34C	1389469	34C-CLA6000	PIVOT ARM
38	1419051	38-SLA5500	ROTOR NUT
38A	1119121	20C-7000AF	SCREW (3 REQUIRED)
38E	1418958	38E-SLA3500	PINION GEAR SEAL (2 REQUIRED)
38F	1419052	38F-SLA5500	ROTOR-MAIN SHAFT SEAL

## KEY PUREFISHING PART

NO	NO	NO.	DESCRIPTION
39	1419032	39-SLA5500	MAIN SHAFT
<b>39A</b>	<b>see info on pg 3</b>		
39B	1277067	39B-SSV5500	MAIN SHAFT WASHER, METAL
43	1419030	43-SLA5500	OSCILLATION SLIDER (CROSSWIND BLOCK)
43A	1339536	43A-CLA5000	SLIDER RETAINER PLATE
43B	1277070	43B-SSV5500	OSCILLATION SLIDER GUIDE SCREW (2 REQUIRED)
43F	1339537	43F-CLA5000	GUIDE SHAFT
44	1277072	44-SSV5500	SCREW
45	1419037	45-SLA5500	BODY COVER ASSEMBLY
46	1385567	46-CLA3000	BODY COVER SCREW (3 REQUIRED)
47	1419054	47-SLA5500	SPOOL ASSEMBLY
<b>47C</b>	<b>see info on pg 3</b>		
47D	1277078	47D-SSV5500	LINE HOOK
47F	1419067	47F-SLA5500	LINE CLIP RETAINER
47H	1277054	28S-SSV5500	ROTOR BRAKE SCREW
47P	1419056	47P-SLA5500	SPOOL (BARE)
47S	1419065	47S-SLA5500	SPOOL SEAL
47T	1339552	47T-CLA5000	REAR COVER SCREW (3 REQUIRED)
47U	1418963	47U-SLA3500	DRAG COVER SEAL
47V	1419063	47V-SLA5500	SEALED NUT
47W	1419066	47W-SLA5500	PROTECTIVE WASHER (3 REQUIRED)
48	1419069	48-SLA5500	SPOOL CLICK PLATE
48D	1385579	48D-CLA3000	SPOOL CLICKER SPACER RING
49	1259579	49-7000AF	SPRING
49A	1341547	49A-SSV7500LC	SCREW, SPOOL CLICKER SPRING SCREW
52	1419070	52-SLA5500	DRAG KNOB ASSEMBLY
53S	1339555	53S-CLA5000	DRAG KNOB SEAL
56	1419060	56-SLA5500	DRAG FRICTION WASHER
56A	1419062	56A-SLA5500	DRAG FRICTION WASHER
56T	1277089	56T-SSV5500	DRAG FRICTION WASHER
57	1419061	57-SLA5500	KEYED DRAG WASHER
57T	1419058	57T-SLA5500	KEYED DRAG WASHER
95B	1419009	95B-SLA3500	ROTOR NUT LOCKING PLATE
98	1277094	98-SSV5500	CLUTCH/SLEEVE ASSEMBLY
117	1419064	117-SLA5500	DRAG DRIVE PLATE
231	1419021	231-SLA5500	OSCILLAION GEAR (CROSSWIND GEAR)
231A	1339566	231A-CLA5000	OSCILLATION GEAR BUSHING
231B	1277100	231B-SSV5500	OSCILLATION GEAR SCREW
231C	1339567	231C-CLA5000	OSCILLATION GEAR WASHER
233A	1419075	233A-SLA5500	HANDLE CAP
233C	1419076	233C-SLA5500	HANDLE CAP WASHER

KEY PUREFISHING PART

NO NO NO. DESCRIPTION

<b>METAL KNOB HANDLE COMPONENTS</b>			
15	1419071	15-SLA5500	HANDLE ASSEMBLY (METAL KNOB)
15E	1419072	15E-SLA5500	HANDLE KNOB (METAL)
15K	1419073	15K-SLA5500	HANDLE KNOB CAP SEAL
15P	1422395	15P-SLA5500	SUB-HANDLE ASSEMBLY
24C	1419074	24C-SLA5500	HANDLE KNOB CAP (FOR METAL KNOB)
35B	1377606	35A-BTLi8000LC	BALL BEARING (2 REQUIRED)
46T	1341500	3-SSV7500LC	SCREW

KEY PUREFISHING PART

NO NO NO. DESCRIPTION

<b>FOAM KNOB HANDLE COMPONENTS</b>			
15			FOAM HANDLE NOT AVAILABLE PRE-ASSEMBLED
15Q	1418244	15E-CLA6000	HANDLE KNOB (FOAM)
15L	1417804	15L-CLA2000	HANDLE KNOB SEAL
15P	1422395	15P-SLA5500	SUB-HANDLE ASSEMBLY
24D	1417808	24C-CLA5000	HANDLE KNOB CAP (FOR FOAM KNOB)
35B	1377606	35A-BTLi8000LC	BALL BEARING (2 REQUIRED)
46T	1341500	3-SSV7500LC	SCREW

**BAIL WIRE, LINE ROLLER PARTS WERE CHANGED FOR REV 1**

**ORIGINAL W/JUST BUSHINGS**

24	1419047	24-SLA5500	BAIL WIRE
35	1277059	35-SSV5500	LINE ROLLER
35A	1419050	35A-SLA5500	LINE ROLLER BUSHING
132	1419749	132-SLA5500	LINE ROLLER COLLAR
132A	1277097	132A-SSV5500	LINE ROLLER WASHER
36	1422399	36-SLA9500	LINE ROLLER SCREW
36B	1417809	36B-CLA6000	BAIL ARM SCREW WASHER (OLD 36B-CLA5000)
25	1339500	25-CLA5000	BAIL HOLDER

**NEWER W/BALL BEARING/BUSHING COMBO**

24	1474158	24-SLAiii5500	BAIL WIRE (AKA NEWER 24-SLA5500)
35	1457403	35-SLAiii6500HS	LINE ROLLER
35A	1457404	35A-SLAiii6500HS	LINE ROLLER BUSHING
35B	1377606	35A-BTLi8000LC	LINE ROLLER BALL BEARING
132	1457405	132-SLAiii6500HS	LINE ROLLER COLLAR
<b>NO 132A ON THE NEWER SETUP</b>			
36	1422399	SAME PART	
36B	1417809	SAME PART	
25	1339500	SAME PART	

NOTE: NEWER BAIL WIRE (Penn changed 7digit but not Penn #, MRP corrected this)

**CORRECTIONS and notes**

\*NOT ON ORIGINAL SCHEMATIC

22A ~~1418982~~ ~~22A-SLA3500~~ DRAG COVER SCREW (4 REQUIRED)  
 1496533 22A-SLA7500 DRAG COVER SCREW (4 REQUIRED) \*\*\* USE THIS PART NUMBER  
 While the 3500 size screw has the same threading, the head is smaller and the 22A-SLA7500 that is in the reel is the more secure screw

25A\* ?? 25A-SSV5500 O-RING / SHIM, SMALL  
 27B\* ?? 27B-CLA8000 SHIM, METAL, STIFF

39A 1277066 39A-SSV5500 SPOOL ADJUST WASHER, PLASTIC  
 There may be more of these 39A, above and below the ratchet on the shaft, than shown on the drawing.  
 Penn seems to have used them as a shim on the assembly line to adjust the level of the spool on the shaft. Also has thin and thick types.

47C 1419059 47C-SLA5500 DRAG COVER  
 The first schematic had a typo of 47S-SLA5500, corrected

**PROBLEMS FOUND:**

1E 1419026 1E-SLA5500 BODY SLOPE  
 \*\*\*\* DO NOT OVERTIGHTEN THE SCREWS ON THE SLOPE, IT WILL SNAP!

**MYSTIC REEL PARTS REVISION!**

NOTE:  
 Many of www.mysticparts.com schematics include changes that were either made by Penn, or errors found and corrected by our parts dept.  
 MRP Ver 112721 (based on Penn's Rev. 1 07-01-17)