

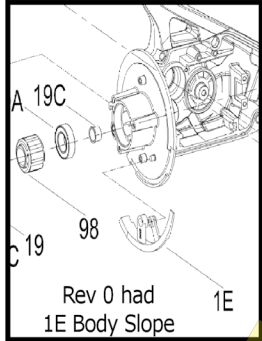
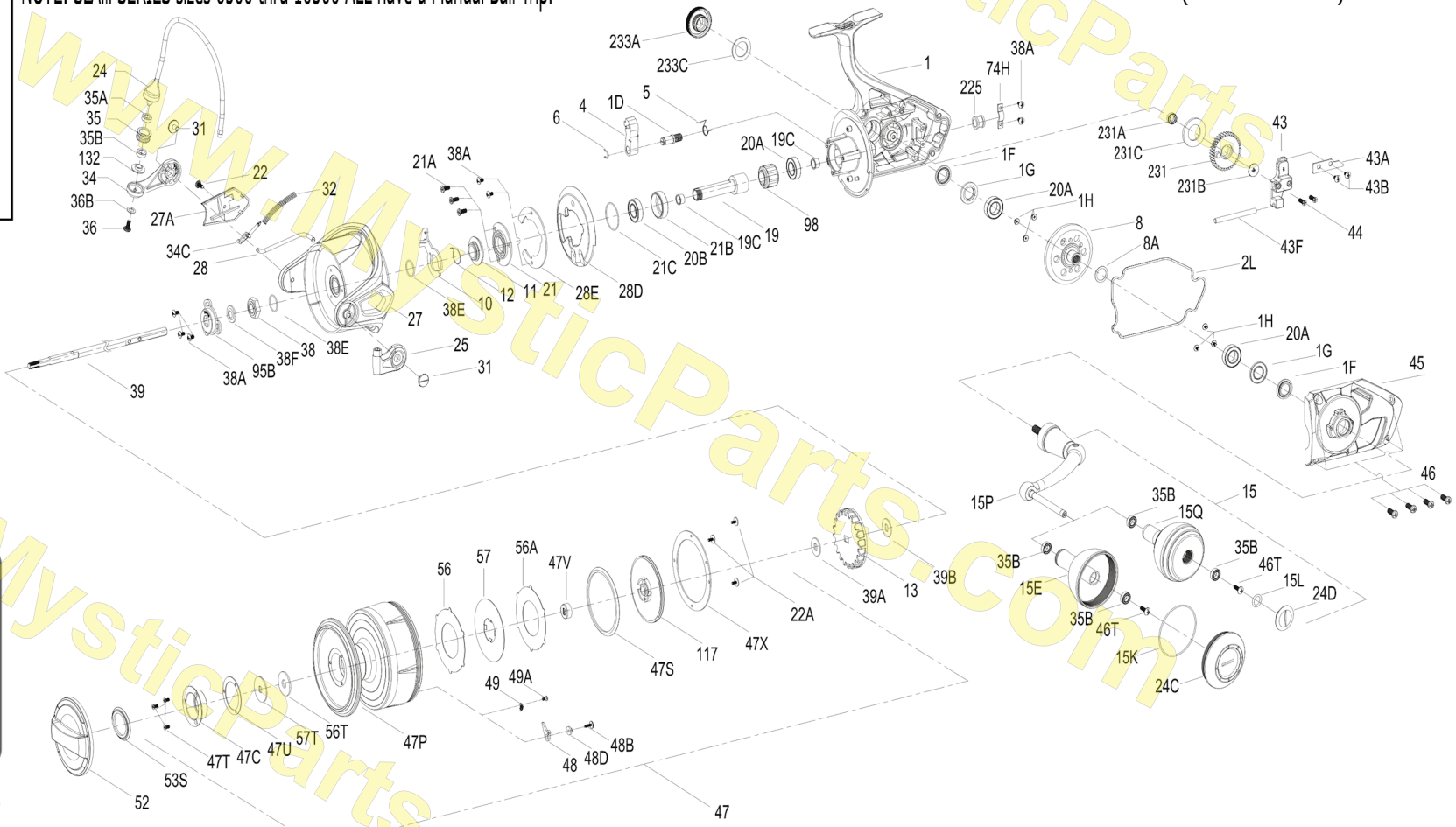
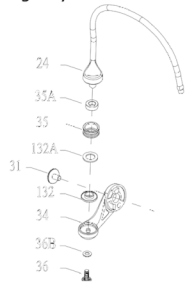


PARTS LIST FOR MODEL SLAMMERIII 10500

Model # SLA10500 (aka SLAiii10500) 1403989

NOTE: SLAiii SERIES sizes 6500 thru 10500 ALL have a Manual Bail Trip.

ORIGINAL BAIL SETUP
With different bail, roller etc.
Bushing only version



mysticparts.com

MYSTIC REEL PARTS

965 Radio Road
Little Egg Harbor, NJ 08087
+1 (609) 296-1300
www.mysticparts.com
customerservice@mysticparts.com

MRP Ver 010120
(based on Penn's Rev. 1 07-01-17)

Penn Reel Parts list for Model: SLA10500 (SLAiii10500) SLAMMER iii SPINNING

(MANUAL BAIL TRIP)

KEY NO	PUREFISHING NO	PART NO.	DESCRIPTION	KEY NO	PUREFISHING NO	PART NO.	DESCRIPTION
1	1419123	1-SLA10500	BODY/HOUSING	38E	1418958	38E-SLA3500	PINION GEAR SEAL (2 REQUIRED)
1D	1277252	1D-SSV9500	A/R PAWL POST	38F	1419143	38F-SLA9500	ROTOR-MAIN SHAFT SEAL
1E	1419119	1E-SLA9500	BODY SLOPE	39	1419144	39-SLA9500	MAIN SHAFT
1F	1419083	1F-SLA7500	BODY BALL BEARING SEAL (2 REQUIRED)	39A	1288190	39A-SSV9500	SPOOL ADJUST WASHER
1G	1419082	1G-SLA7500	BODY SIDE SEAL LOCK PLATE (2 REQUIRED)	39B	1422994	39B-SLA9500	MAIN SHAFT WASHER, METAL
1H	1418957	1H-SLA3500	BODY SIDE SCREW (6 REQUIRED)	43	1419145	43-SLA9500	OSCILLATION SLIDER (CROSSWIND BLOCK)
2L	1419124	2L-SLA9500	BODY SEAL	43A	1277273	43A-SSV9500	SLIDER RETAINER PLATE
4	1277294	4-SSV10500	A/R PAWL	43F	1419146	43F-SLA3500	GUIDE SHAFT
5	1277255	5-SSV9500	PAWL SPRING	44	1277174	44-SSV7500	SCREW (2 REQUIRED)
6	1277256	6-SSV9500	RETAINER CLIP	45	1419148	45-SLA10500	BODY COVER ASSEMBLY
8	1419125	8-SLA9500	DRIVE GEAR (MAIN GEAR)	46	1277275	46-SSV9500	BODY COVER SCREW (4 REQUIRED)
8A	1277146	8A-SSV7500	DRIVE GEAR SHIM WASHER	47	1419150	47-SLA10500	SPOOL ASSEMBLY
10	1419126	10-SLA9500	A/R PAWL HOLDER	47P	1419153	47P-SLA10500	SPOOL (BARE)
11	1419088	11-SLA7500	A/R BUSHING	47S	1419154	47S-SLA9500	SPOOL SEAL
12	1309001	12-SSV9500	A/R BUSHING SPRING	47T	1341544	47T-SSV7500LC	REAR COVER SCREW (3 REQUIRED)
13	1419127	13-SLA9500	CLICK GEAR	47U	1418963	47U-SLA3500	DRAG COVER SEAL
For HANDLE & KNOB components see page 3				47V	1419121	47V-SLA9500	SEALED NUT
19	1419129	19-SLA9500	PINION GEAR	47W	1419066	47W-SLA5500	PROTECTIVE WASHER (3 REQUIRED)
19C	1419130	19C-SLA9500	PINION GEAR BUSHING (2 REQUIRED)	48	1419155	48-SLA9500	SPOOL CLICK PLATE
20A	1277152	20A-SSV7500	BALL BEARING (3 REQUIRED)	48B	1419156	48B-CLA9500	SPOOL CLICKER SPRING SCREW
20B	1422398	20A-SLA9500	BALL BEARING	48D	1422400	48D-SLA9500	SPOOL CLICKER SPACER RING
21	1419131	21-SLA9500	BALL BEARING RETAINER	49	1419157	49-SLA9500	SPOOL CLICK SPRING
21A	1277154	21A-SSV7500	RETAINER SCREW (3 REQUIRED)	49A	1418158	49A-SLA9500	SCREW, SPOOL CLICKER SPRING SCREW
21B	1419132	21B-SLA9500	PINION BALL BEARING COLLAR	52	1419159	52-SLA9500	DRAG KNOB ASSEMBLY
21C	1385684	21C-CLA8000	BODY HEAD SEAL (O'RING)	53S	1293252	53S-SSV5500	DRAG KNOB SEAL
22	1277046	22-SSV5500	ROTOR COVER SCREW	56	1415388	6-T2S7-1	DRAG FRICTION WASHER
22A	1418982	22A-SLA3500	DRAG COVER SCREW (3 REQUIRED)	56A	1415389	6-T2S7-2	DRAG FRICTION WASHER
24	1419134	24-SLA10500	BAIL WIRE	56T	1277089	56T-SSV5500	DRAG FRICTION WASHER
25	1385663	25-CLA8000	BAIL HOLDER	57	1419160	57-SLA9500	KEYED DRAG WASHER
27	1419136	27-SLA10500	ROTOR	57T	1419058	57T-SLA5500	KEYED DRAG WASHER
27A	1419137	27A-SLA9500	ROTOR COVER	74H	1422401	74H-SLA9500	REAR BUSHING PLATE
28	1419139	28-SLA10500	ROTOR TRIP LEVER	95B	1419114	95B-SLA7500	ROTOR NUT LOCKING PLATE
28D	1419140	28D-SLA9500	ROTOR BRAKE (ROUND)	98	1277190	98-SSV7500	CLUTCH/SLEEVE ASSEMBLY
28S	1294662	28E-SSV10500	ROTOR BRAKE SCREW (2 REQUIRED)	117	1419162	117-SLA9500	DRAG DRIVE PLATE
31	1277055	31-SSV5500	BAIL ARM SCREW (2 REQUIRED)	132A	1422388	132A-SLA9500	LINE ROLLER WASHER
32	1419141	32-SLA9500	BAIL SPRING	225	1419164	225-SLA9400	REAR BUSHING
34	1385667	34-CLA8000	BAIL ARM	231	1419166	231-SLA9500	OSCILLAION GEAR (CROSSWIND GEAR)
34C	1277164	34C-SSV7500	PIVOT ARM	231A	1419167	231A-SLA9500	OSCILLATION GEAR BUSHING
35	1277165	35-SSV7500	LINE ROLLER	231B	1419168	231B-SLA9500	OSCILLATION GEAR SCREW
35A	1419050	35A-SLA5500	LINE ROLLER BUSHING	231C	1422489	231C-SLA9500	OSCILLATION GEAR WASHER
36	1422399	36-SLA9500	LINE ROLLER SCREW	233A	1419169	233A-SLA9500	HANDLE CAP
38	1419103	38-SLA7500	ROTOR NUT				

KEY PUREFISHING PART
NO NO NO DESCRIPTION

KEY PUREFISHING PART
NO NO NO DESCRIPTION

METAL KNOB HANDLE COMPONENTS			
15	1419128	15-SLA9500	HANDLE ASSEMBLY (METAL KNOB)
15E	??	SEE BELOW IN PROBLEMS	
15K	1419073	15K-SLA5500	HANDLE KNOB CAP SEAL
15P	1422397	15P-SLA9500	SUB-HANDLE ASSEMBLY
24C	1419074	24C-SLA5500	HANDLE KNOB CAP (FOR METAL KNOB)
35B	1277060	35A-SSV5500	BALL BEARING (2 REQUIRED)
46T	1341500	3-SSV7500LC	SCREW

FOAM KNOB HANDLE COMPONENTS			
15			FOAM HANDLE NOT AVAILABLE PRE-ASSEMBLED
15Q	1418255	15E-CLA6000	HANDLE KNOB (FOAM)
15L	1417804	15L-CLA2000	HANDLE KNOB SEAL
15P	1422397	15P-SLA9500	SUB-HANDLE ASSEMBLY
24D	1417808	24C-CLA5000	HANDLE KNOB CAP (FOR FOAM KNOB)
35B	1277060	35A-SSV5500	BALL BEARING (2 REQUIRED)
46T	1341500	3-SSV7500LC	SCREW

PROBLEMS:

15E ?? 15E-SLA5500 HANDLE KNOB (METAL)
 28E ?? 28E- ?? ROTOR BRAKE COVER

<--- TYPO(S) 15E the 7digit# belongs to 15E-CLA5000, SO WHICH ONE TO USE?
 <--- problem!

Schematic shows an open ring...which is what is in the reel, but 28E-SSV10500 is a closed circle, so wrong # on early schematic
 We think it's actually a 28E-SSV9500, waiting for parts to come back from our tech so we can compare

38A 1277063 38A-SSV5500 SCREW (9 REQUIRED)

The 3 on top of the rotor ARE 38A-SSV5500 with a low flat head, but all of the other ones are a domed head what part #?

<--- problem!

47C 1419059 47C-SLA9500 DRAG COVER
 132 1419163 132-SLA7500 LINE ROLLER COLLAR
 233C 1419170 232-SLA5500 HANDLE CAP SEAL

<--- TYPO? SAME 7DIG ASW 47C-SLA5500?
 <--- TYPO? 7 DIG = SLA7500 PART, NOT SLA9500 LIKE ON SCHEMATIC HERE
 <--- TYPO(S)? ON SSV5500 233C = 1419076 233C-SLA5500 WASHEF

We will update about the typos/fixes once the info is found/changed

CORRECTIONS:

10 1419936 10-SLA6500 A/R PAWL HOLDER
 orig schematic said 10-CLA6000, but the 7 digit code is different, so we assigned it 10-SLA6500
 36B 1417809 36B-CLA6000 Bail arm Screw Washer (FORMERLY 36B-CLA5000)

MYSTIC REEL PARTS REVISION!

NOTE:

Many of www.mysticparts.com schematics include changes that were either made by Penn, or errors found and corrected by our parts dept.
 MRP Ver 112019 (based on Penn's Rev. 2 04-23-18)