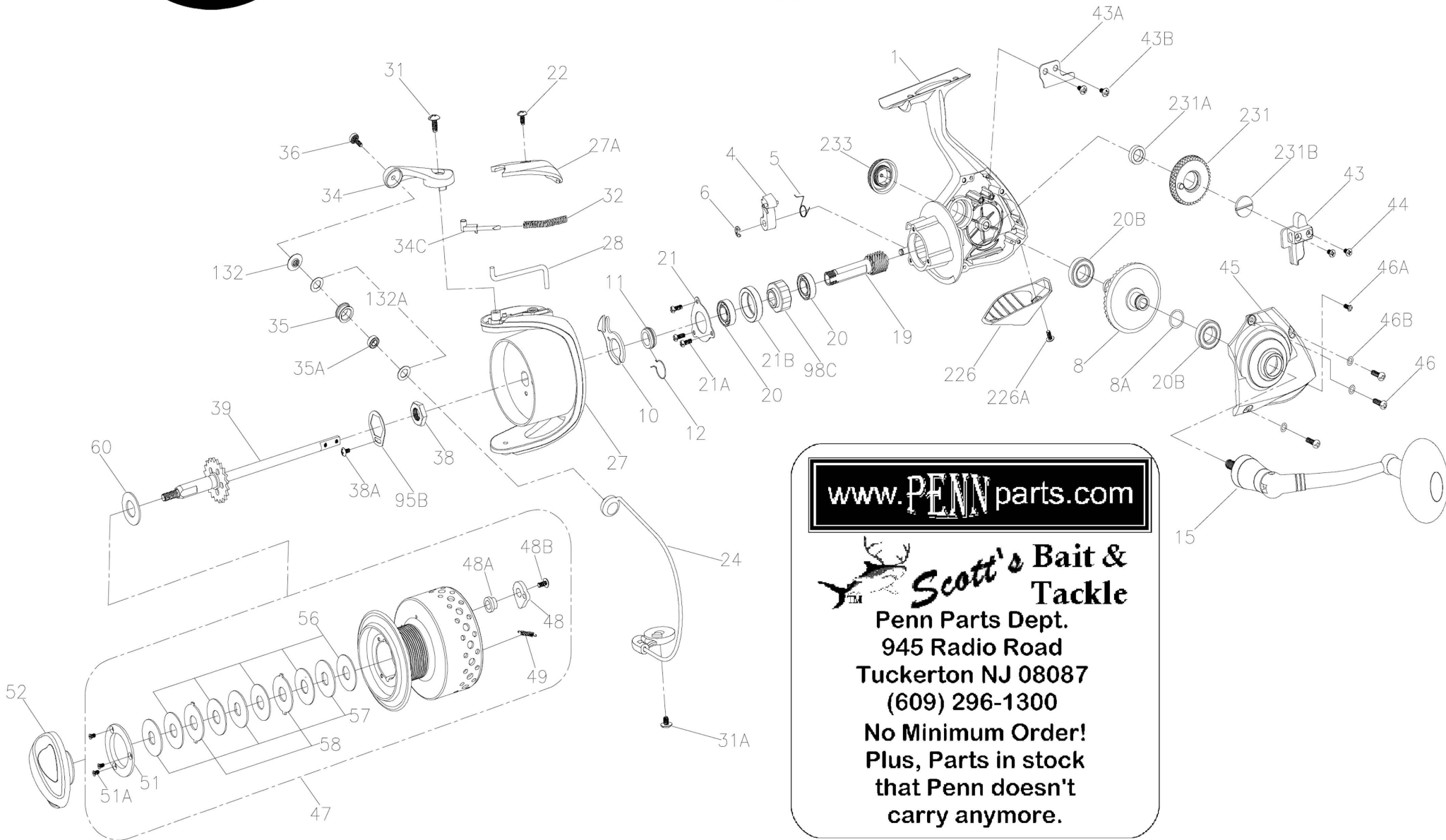




PARTS LIST FOR MODELS SG7000



www.PENNparts.com

Scott's Bait & Tackle
Penn Parts Dept.
945 Radio Road
Tuckerton NJ 08087
(609) 296-1300
No Minimum Order!
Plus, Parts in stock
that Penn doesn't
carry anymore.

Penn Reel Parts list for:

KEY NO	PureFishing Part No.	Penn Part NO.	DESCRIPTION
1	1190842	1-7000SG	HOUSING
4	1190939	4-7000SG	A/R DOG
5	1190966	5-5000SG	A/R DOG SPRING
6	1190979	6-5000SG	RETAINING CLIP
8	1191021	8-7000SG	MAIN GEAR ASSEMBLY
8A	1191031	8A-7000SG	MAIN GEAR SHIM
10	1191068	10-7000SG	A/R HOLDER
11	1191087	11-7000SG	BUSHING
12	1191090	12-5000SG	A/R BUSHING SPRING
15	1211633	15-7000BTL	HANDLE ASSEMBLY (Old# 15-7000SG)
19	1191244	19-7000SG	PINION GEAR
20	1192613	20-5000SG	PINION BALL BEARING (2 REQUIRED)
20B	1192621	20B-7000SG	HOUSING BALL BEARING
21	1192636	21-5000SG	BEARING RETAINER
21A	1192645	21A-5000SG	BEARING RETAINER SCREW (3 REQUIRED)
21B	1192650	21B-5000SG	COLLAR
22	1192662	22-7000SG	BAIL ARM COVER SCREW
24	1191316	24-7000SG	BAIL WIRE
27	1191424	27-7000SG	ROTOR CUP
27A	1191454	27A-7000SG	BAIL PIVOT COVER
28	1191491	28-7000SG	TRIP LEVER
31	1191569	31-5000SG	BAIL ARM SCREW
31A	1191575	31A-5000SG	BAIL CAM SCREW
32	1200520	32-6000SG	BAIL SPRING
34	1191634	34-7000SG	BAIL ARM
34C	1191656	34C-7000SG	PIVOT ARM
35	1191674	35-3000SG	LINE ROLLER
35A	1191683	35A-3000SG	LINE ROLLER BEARING
36	1191704	36-7000SG	BAIL STUD SCREW
38	1191731	38-7000SG	ROTOR NUT
38A	1191736	38A-5000SG	ROTOR LOCKING PLATE SCREW

Model: SG7000 Sargus Spinning Series

KEY NO	PureFishing Part No.	Penn Part NO.	DESCRIPTION
39	1191756	39-7000SG	SPOOL SHAFT
43	1191809	43-7000SG	CROSSWIND BLOCK
43A	1191821	43A-7000SG	CROSSWIND BLOCK PLATE
43B	1191827	43B-5000SG	CROSSWIND BLOCK PLATE SCREW
44	1191845	44-5000SG	CROSSWIND BLOCK SCREW
45	1191876	45-7000SG	HOUSING COVER
46	1191903	46-5000SG	HOUSING COVER SCREW (3 REQUIRED)
46A	1191906	46A-3000SG	HOUSING COVER SCREW A
46B	1191908	46B-5000SG	HOUSING COVER WASHER (3 REQUIRED)
47	1191945	47-7000SG	SPOOL ASSEMBLY
48	1211625	48-5000SG	CLICK TONGUE
48A	1211626	48A-5000SG	CLICK TONGUE WASHER
48B	1211612	48B-5000SG	SPOOL CLICK SCREW
49	1211627	49-5000SG	CLICK TONGUE SPRING
51	1191980	51-7000SG	RETAINING SPACER
51A	1191986	51A-3000SG	RETAINING SCREW (3 REQUIRED)
52	1192000	52-7000SG	DRAG KNOB
56	1192038	56-7000SG	DRAG WASHER FELT (5 REQUIRED)
57	1192046	57-7000SG	KEYED DRAG WASHER (3 REQUIRED)
58	1192055	58-7000SG	EARRED DRAG WASHER (2 REQUIRED)
60	1192062	60-5000SG	THRUST WASHER
95B	1192186	95B-5000SG	ROTOR LOCKING PLATE
98C	1192215	98C-5000SG	CLUTCH/SLEEVE ASSEMBLY
132	1192298	132-7000SG	ROLLER WASHER
132A	1192302	132A-3000SG	LINE ROLLER WASHER
226	1192463	226-7000SG	REAR COVER
226A	1192474	226A-7000SG	REAR COVER SCREW
231	1192507	231-7000SG	CROSSWIND GEAR
231A	1192511	231A-7000SG	CROSSWIND GEAR BUSHING
231B	1192514	231B-7000SG	CROSSWIND GEAR SCREW
233	1192523	233-5000SG	BEARING COVER

NOTE: Many of www.pennparts.com schematics include changes that were either made by Penn, or errors found and corrected by our parts dept.
 SBT Ver. 120410 (based on Penn's Rev. 6 - 5/31/10)

NOTES: Original schematic had 2 separate part numbers for the bearings
 20-5000SG and 20A-5000SG are identical, use 20-5000SG
 20B-5000SG and 20C-5000SG are identical, use 20B-5000SG

These numbers below were removed from schematic by Penn and are not available
 27E-7000SG Counter Balance Weight
 27F-7000SG Counter Balance Weight Screw