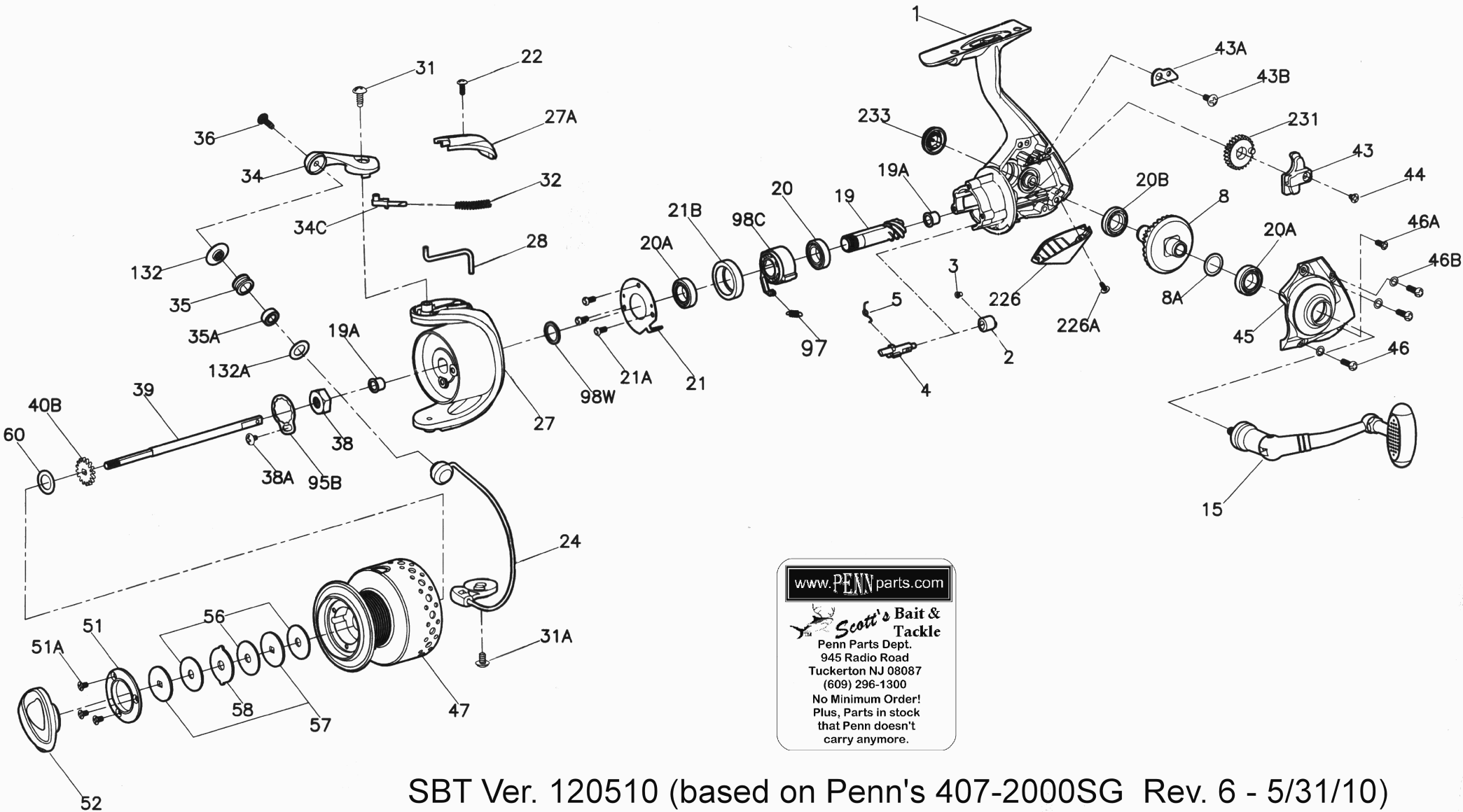




# PARTS LIST FOR MODEL SG2000



[www.PENNparts.com](http://www.PENNparts.com)

**Scott's Bait & Tackle**  
Penn Parts Dept.  
945 Radio Road  
Tuckerton NJ 08087  
(609) 296-1300  
No Minimum Order!  
Plus, Parts in stock  
that Penn doesn't  
carry anymore.

## Penn Reel Parts list for Model: SG2000 Battle Spinning Series

KEY	PUREFISHING	PENN PART	DESCRIPTION	KEY	PUREFISHING	PART	DESCRIPTION
NO	NO.	NO.		NO	NO.	NO.	
1	1190820	1-2000SG	HOUSING	38A	1191734	38A-3000SG	ROTOR LOCKING PLATE SCREW
2	1190889	2-2000SG	A/R LEVER	39	1191743	39-2000SG	SPOOL SHAFT
3	1190922	3-2000SG	A/R LEVER SCREW	40B	1191778	40B-2000SG	CLICK RATCHET
4	1190935	4-2000SG	A/R SHAFT	43	1191797	43-2000SG	CROSSWIND BLOCK
5	1190960	5-2000SG	A/R SPRING	43A	1191817	43A-2000SG	CROSSWIND BLOCK PLATE
8	1191017	8-3000SG	MAIN GEAR ASSEMBLY	43B	1191826	43B-3000SG	CROSSWIND BLOCK PLATE SCREW
8A	1191028	8A-3000SG	MAIN GEAR SHIM	44	1191843	44-3000SG	CROSSWIND BLOCK SCREW
15	1211565	15-2000BTL	HANDLE ASSEMBLY	45	1191854	45-2000SG	HOUSING COVER
19	1191227	19-2000SG	PINION GEAR	46	1191901	46-3000SG	HOUSING COVER SCREW (3 REQUIRED)
19A	1191250	19A-2000SG	PINION BUSHING (2 REQUIRED)	46A	1191906	46A-3000SG	HOUSING COVER SCREW A
20	1192610	20-2000SG	LOWER PINION BALL BEARING	46B	1191907	46B-3000SG	HOUSING COVER WASHER (3 REQUIRED)
20A	1192616	20A-2000SG	UPPER PINION BALL BEARING	47	1191919	47-2000SG	SPOOL ASSEMBLY
20B	1192619	20B-3000SG	HOUSING BALL BEARING	51	1191975	51-2000SG	RETAINING SPACER
21	1192629	21-2000SG	BEARING RETAINER	51A	1191986	51A-3000SG	RETAINING SCREW (3 REQUIRED)
21A	1192644	21A-3000SG	BEARING RETAINER SCREW (3 REQUIRED)	52	1191993	52-2000SG	DRAG KNOB
21B	1192656	21B-2000SG	COLLAR	56	1192033	56-2000SG	DRAG WASHER FELT (3 REQUIRED)
22	1192658	22-2000SG	BAIL ARM COVER SCREW	57	1192041	57-2000SG	KEYED DRAG WASHER (2 REQUIRED)
24	1191290	24-2000SG	BAIL WIRE	58	1192049	58-2000SG	EARRED DRAG WASHER
27	1191391	27-2000SG	ROTOR CUP	60	1192059	60-2000SG	THRUST WASHER
27A	1191441	27A-2000SG	BAIL PIVOT COVER	95B	1192185	95B-3000SG	ROTOR LOCKING PLATE
28	1191477	28-2000SG	TRIP LEVER	97	1192189	97-2000SG	CLUTCH SPRING
31	1191566	31-2000SG	BAIL ARM SCREW	98C	1192211	98C-2000SG	CLUTCH/SLEEVE ASSEMBLY
31A	1191574	31A-3000SG	BAIL CAM SCREW	98W	1192228	98W-2000SG	CLUTCH WASHER
32	1191583	32-2000SG	BAIL SPRING	132	1192295	132-2000SG	ROLLER WASHER
34	1191625	34-2000SG	BAIL ARM	132A	1192301	132A-2000SG	LINE ROLLER WASHER
34C	1191648	34C-2000SG	PIVOT ARM	226	1200070	226-2000SG	REAR COVER
35	1191670	35-2000SG	LINE ROLLER	226A	1192473	226A-3000SG	REAR COVER SCREW
35A	1191682	35A-2000SG	LINE ROLLER BEARING	231	1192496	231-2000SG	CROSSWIND GEAR
36	1191699	36-3000SG	BAIL STUD SCREW	233	1192519	233-3000SG	BEARING COVER
38	1191727	38-2000SG	ROTOR NUT				

NOTE: Many of [www.pennparts.com](http://www.pennparts.com) schematics include changes that were either made by Penn, or errors found and corrected by our parts dept.  
 SBT Ver. 120510 (based on Penn's 407-2000SG Rev. 6 - 5/31/10)

NOTES: Orig. schematic listed 15-2000SG handle, discontinued and subbed to 15-2000BTL per Penn  
 ERROR: Rev. 6 lists Key #36 as 22-5000SG but this is incorrect as the thread diameter is too thin, use 36-3000SG