



PARTS LIST FOR RVL 30LWLC
REEL ASM.NO. 1404003

www.PENNparts.com

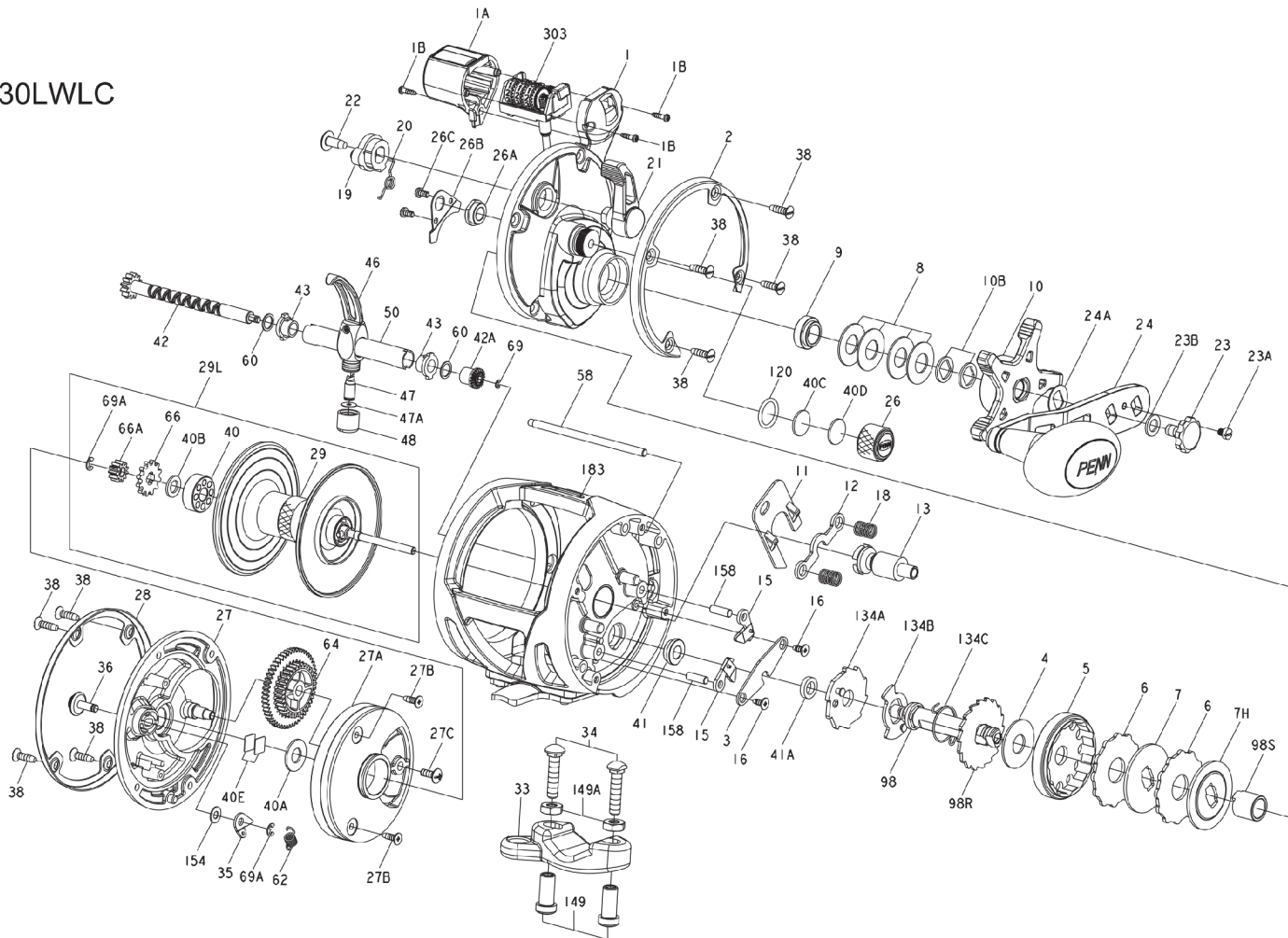
Scott's Bait & Tackle

Penn Parts Dept.
945 Radio Road
Tuckerton NJ 08087
(609) 296-1300

No Minimum Order!
Plus, Parts in stock
that Penn doesn't
carry anymore.

SBT Ver. 091116

(Based on Penn's Rev. 0, 10-19-15)



Penn Reel Parts list for Model: Rival Levelwind RVL30LWLC (Line Counter)

<u>KEY #</u>	<u>PUREFISHING #</u>	<u>PENN PART #</u>	<u>DESCRIPTION</u>	<u>KEY #</u>	<u>PUREFISHING #</u>	<u>PENN PART #</u>	<u>DESCRIPTION</u>
1	1405726	1-RVL30LWLC	HANDLE SIDE PLATE ASSEMBLY	26B	1383023	26B-WAR15LW	CLUTCH RETAINER
1A	1383083	1-WAR15LWLC	LINE COUNTER COVER	26C	1383024	26C-WAR15LW	SCREW, FOR CLUTCH RETAINER (2 REQUIRED)
1B	1383084	1B-WAR15LWLC	SCREW, LINE COUNTER COVER (3 REQUIRED)	27	1405728	27-RVL30LWLC	NON-HANDLE SIDE PLATE
2	1405727	2-RVL30LWLC	RING, HANDLE SIDE	27A*	??	27A-WAR30LW	BEARING HOUSING
3	1384179	3-WAR15LW	BRIDGE	27B	1383028	27B-WAR15LW	SCREW (2 REQUIRED)
4	1382978	4-WAR15LW	DRAG WASHER, HT100	27C	1383029	27C-WAR15LW	SCREW
5	1383103	5-WAR30LW	MAIN GEAR	28	1405718	28-RVL30LW	RING, NON HANDLE SIDE
6	1382978	6-WAR15LW	DRAG WASHER, HT100, EARRD (2 REQUIRED)	29	1405719	29-RVL30LW	SPOOL
7	1382999	7-WAR15LW	KEYED METAL DRAG WASHER	29L	1405720	29L-RVL30LW	SPOOL ASSEMBLY
7H	1383000	7H-WAR15LW	HEAVY METAL DRAG WASHER	33	1182754	33N-113	CLAMP, GRAPHITE WITH RING
8	1383001	8-WAR15LW	SPRING WASHER (4 REQUIRED)	33C	1182773	33C-113	CLAMP KIT WITH STUDS AND NUTS
9	1384180	9-WAR15LW	SPACING SLEEVE	34	1182755	34-45	STUD (2 REQUIRED)
10	1405684	10-RVL15LW	STAR DRAG	34C	1182862	34C-45	STUD WITH TWO NUTS (2 REQUIRED)
10B	1383001	10B-WAR15LW	STAR CLICK WASHER	35	1383037	35-WAR15LW	CLICK TONGUE
10C	1383005	10C-WAR15LW	STAR CLICK SPRING	36	1383038	36-WAR15LW	CLICK BUTTON
11	1383104	11-WAR30LW	ECCENTRIC JACK	38	1383039	38-WAR15LW	SCREW (8 REQUIRED)
12	1383007	12-WAR15LW	PINION YOKE	40	1383042	40-WAR15LW	BALL BEARING, SPOOL, OUTER, NON HANDLE SIDE
13	1383105	13-WAR30LW	PINION	40A*	??	40A-WAR30LW	WASHER
15	1383009	15-WAR15LW	ANTI-REVERSE DOG (2 REQUIRED)	40B	1383044	40B-WAR15LW	PLASTIC WASHER*
16	1383010	16-WAR15LW	SCREW, FOR BRIDGE (2 REQUIRED)	40C	1383045	40C-WAR15LW	WASHER, ACETAL THRUST
18	1383011	18-WAR15LW	PINION YOKE SPRING (2 REQUIRED)	40D	1383046	40D-WAR15LW	WASHER, RUBBER THRUST
19	1383012	19-WAR15LW	ECCENTRIC	40E	1383047	40E-WAR15LW	THRUSH WASHER (2-3 REQUIRED)
20	1383013	20-WAR15LW	ECCENTRIC SPRING	41	1383048	41-WAR15LW	BUSHING
20A*	1191256	20-1000AF	BEARING (ATTACHED TO SPOOL SHAFT) *	41A	1384181	41A-WAR15LW	BUSHING
21	1405716	21-RVL30LW	ECCENTRIC LEVER	42	1406061	42-WAR30LWLC	WORM SHAFT ASSEMBLY
22	1405707	22-RVL15LW	ECCENTRIC SCREW	42A	1405737	42A-WAR30LWLC	GEAR FOR LINE COUNTER DRIVE
23	1383016	23-WAR15LW	HANDLE ASSEMBLY SCREW	43	1383051	43-WAR15LW	WORM SHAFT BUSHING (2 REQUIRED)
23A	1383017	23A-WAR15LW	HANDLE LOCK SCREW	46	1383288	46-WAR30LW	LINE GUIDE ASSEMBLY
23B	1383018	23B-WAR15LW	HANDLE SCREW WASHER	47	1383053	47-WAR15LW	LINE GUIDE PAWL
24	1405687	24-RVL15LW	HANDLE ASSEMBLY	47A	1383054	47A-WAR15LW	PAWL SHIM
24A	1383020	24A-WAR15LW	HANDLE THRUST WASHER	48	1383055	48-WAR15LW	LINE GUIDE NUT
26	1405688	26-RVL15LW	SPOOL TENSION CONTROL CAP	50	1383057	50-WAR20LW	WORM SHIELD
26A	1383022	26A-WAR15LW	BUSHING				

58	1383059	58-WAR20LW	LINE GUIDE POST	98S	1383070	98S-WAR15LW	CLUTCH SLEEVE
60	1383060	60-WAR15LW	WORM SHAFT WASHER (2 REQUIRED)	120	1383071	120-WAR15LW	O-RING
62	1383061	62-WAR15LW	SPRING	134A	1383072	134A-WAR15LW	CLUTCH RECOVER PLATE
64	1383289	64-WAR30LW	IDLER GEAR	134B	1383073	134B-WAR15LW	CLUTCH RECOVER SUPPORT PLATE
66	1383290	66-WAR30LW	CLICK RATCHET	134C	1383074	134C-WAR15LW	CLUTCH RECOVER SPRING
66A	1383064	66A-WAR15LW	SPOOL GEAR	149	1184702	149-45	ROD CLAMP NUT (2 REQUIRED)
69*	??	69-WAR15LWLC	RETAINER RING	149A	1184706	149-200	HEX NUT (2 REQUIRED)
69A	1383066	69A-WAR15LW	RETAINER RING (2 REQUIRED)	154	1383077	154-WAR15LW	CLICK BUTTON WASHER
98	1383067	98-WAR15LW	MAIN GEAR SHAFT	158	1383078	158-WAR15LW	DOG PIN (2 REQUIRED)
98R	1383069	98R-WAR15LW	ANTI REVERSE RATCHET	183	1383107	183-WAR30LW	FRAME ASSEMBLY
				303*	??	303-WAR30LWLCLH	COUNTER WHEEL ASSEMBLY (LEFT HAND)

NOTE: Many of www.pennparts.com schematics include changes that were either made by Penn, or errors found and corrected by our parts dept.

SBT Ver. 091116 (Based on Penn's Rev 0. 10-19-15)

ERRORS/CORRECTIONS/NOTES:

*20A PART # matched up by Pennparts.com, this was not assigned a part # by Penn, they consider it part of the spool

*27A on the Rival 30's was incorrectly listed as 27A-WAR15LW, but it is different - assigned # 27A-WAR30LW

*40A one the Rival 30's was incorrectly listed as 40A-WAR15LW, but it is different - assigned # 40A-WAR30LW

* 69 The retaining rings are different than 69-WAR15LW...assigned number is 69-WAR15LWLC (and applies to all the WAR and RVL LC reels)

303* Counter wheel is incorrectly listed as 303-WAR15LWLCLH, but it is longer...assigned # 303-WAR30LWLCLH

PAGE 3 OF 3