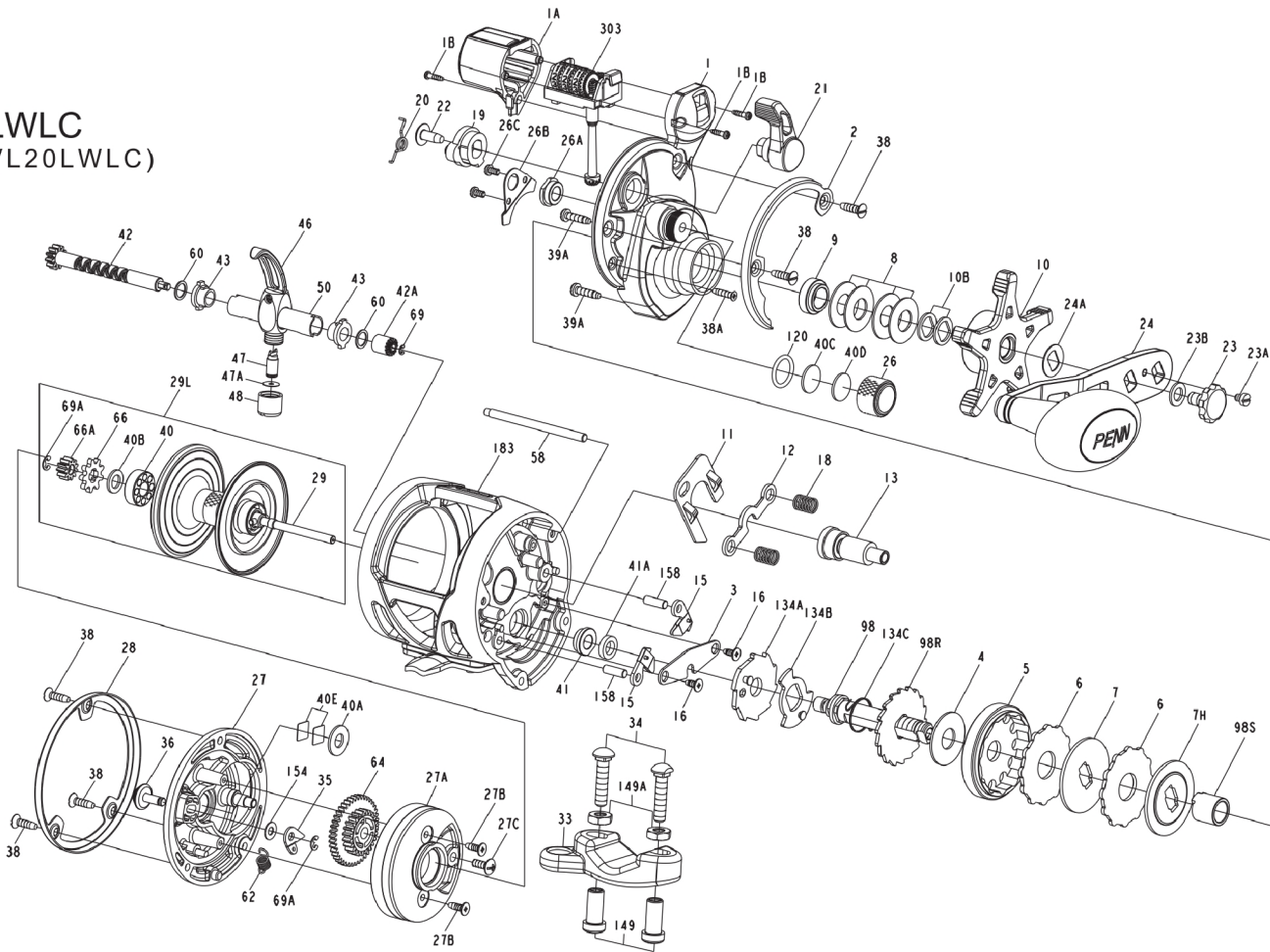




PARTS LIST FOR RVL20LWLC
 REEL ASM. Nos. 1403998(RVL20LWLC)



www.PENNparts.com



Penn Parts Dept.
 945 Radio Road
 Tuckerton NJ 08087
 (609) 296-1300

No Minimum Order!
Plus, Parts in stock
that Penn doesn't
carry anymore.

SBT Ver. 091116

(Based on Penn's Rev. 0, 10-19-15)

Penn Reel Parts list for Model: Rival Levelwind RVL20LWLC Line Counter Version

<u>KEY #</u>	<u>PUREFISHING #</u>	<u>PENN PART #</u>	<u>DESCRIPTION</u>	<u>KEY #</u>	<u>PUREFISHING #</u>	<u>PENN PART #</u>	<u>DESCRIPTION</u>
1	1405698	1-RVL20LWLC	HANDLE SIDE PLATE ASSEMBLY	29	1405693	29-RVL20LW	SPOOL
1A	1383083	1A-WAR15LWLC	LINE COUNTER COVER	29L	1405695	29L-RVL20LW	SPOOL ASSEMBLY
1B	1383084	1B-WAR15LWLC	SCREW FOR LINE COUNTER COVER (3 REQUIRED)	33	1182754	33N-113	CLAMP, GRAPHITE WITH RING
2	1405699	2-RVL15LWLC	RING, HANDLE SIDE	33C	1182773	33C-113	CLAMP KIT WITH STUDS AND NUTS
3	1384179	3-WAR15LW	BRIDGE	34	1182755	34-45	STUD (2 REQUIRED)
4	1382978	4-WAR15LW	DRAG WASHER, HT100	34C	1182862	34C-45	STUD WITH TWO NUTS (2 REQUIRED)
5	1382977	5-WAR15LW	MAIN GEAR	35	1383037	35-WAR15LW	CLICK TONGUE
6	1382978	6-WAR15LW	DRAG WASHER, HT100, EARRED (2 REQUIRED)	36	1383038	36-WAR15LW	CLICK BUTTON
7	1382999	7-WAR15LW	KEYED METAL DRAG WASHER	38	1383039	38-WAR15LW	SCREW (5 REQUIRED)
7H	1383000	7H-WAR15LW	HEAVY METAL DRAG WASHER	38A	1383040	38A-WAR15LW	SCREW
8	1383001	8-WAR15LW	SPRING WASHER (4 REQUIRED)	39A	1383041	39A-WAR15LW	SCREW (2 REQUIRED)
9	1384180	9-WAR15LW	SPACING SLEEVE	40	1383042	40-WAR15LW	BALL BEARING, SPOOL, OUTER, NON HANDLE SIDE
10	1405684	10-RVL15LW	STAR DRAG	40A	1383043	40A-WAR15LW	WASHER
10B	1383001	10B-WAR15LW	STAR CLICK WASHER (2 REQUIRED)	40B	1383044	40B-WAR15LW	PLASTIC WASHER*
11	1383006	11--WAR15LW	ECCENTRIC JACK	40C	1383045	40C-WAR15LW	WASHER, ACETAL THRUST
12	1383007	12-WAR15LW	PINION YOKE	40D	1383046	40D-WAR15LW	WASHER, RUBBER THRUST
13	1383008	13-WAR15LW	PINION	40E	1383047	40E-WAR15LW	THRUSH WASHER (2 REQUIRED)
15	1383009	15-WAR15LW	ANTI-REVERSE DOG (2 REQUIRED)	41	1383048	41-WAR15LW	BUSHING
16	1383010	16-WAR15LW	SCREW, FOR BRIDGE (2 REQUIRED)	41A	1384181	41A-WAR15LW	BUSHING
18	1383011	18-WAR15LW	PINION YOKE SPRING (2 REQUIRED)	42	1385462	42-WAR20LWLC	WORM SHAFT ASSEMBLY
19	1383012	19-WAR15LW	ECCENTRIC	42A	1384183	42A-WAR15LWLC	GEAR, LINE COUNTER DRIVE GEAR
20	1383013	20-WAR15LW	ECCENTRIC SPRING	43	1383051	43-WAR15LW	WORM SHAFT BUSHING (2 REQUIRED)
20A*	1191256	20-1000AF	BEARING (ATTACHED TO SPOOL SHAFT) *	46	1383052	46-WAR15LW	LINE GUIDE ASSEMBLY
21	1405685	21-RVL15LW	ECCENTRIC LEVER	47	1383053	47-WAR15LW	LINE GUIDE PAWL
22	1405686	22-RVL15LW	ECCENTRIC SCREW	47A	1383054	47A-WAR15LW	PAWL SHIM
23	1383016	23-WAR15LW	HANDLE ASSEMBLY SCREW	48	1383055	48-WAR15LW	LINE GUIDE NUT
23A	1383017	23A-WAR15LW	HANDLE LOCK SCREW	50	1383057	50-WAR20LW	WORM SHIELD
23B	1383018	23B-WAR15LW	HANDLE SCREW WASHER	58	1383059	58-WAR20LW	LINE GUIDE POST
24	1405687	24-RVL15LW	HANDLE ASSEMBLY	60	1383060	60-WAR15LW	WORM SHAFT WASHER (2 REQUIRED)
24A	1383020	24A-WAR15LW	HANDLE THRUST WASHER	62	1383061	62-WAR15LW	SPRING
26	1405688	26-RVL15LW	SPOOL TENSION CONTROL CAP	64	1383062	64-WAR15LW	IDLER GEAR
26A	1383022	26A-WAR15LW	BUSHING	66	1383063	66-WAR15LW	CLICK RATCHET
26B	1383023	26B-WAR15LW	CLUTCH RETAINER	66A	1383064	66A-WAR15LW	SPOOL GEAR
26C	1383024	26C-WAR15LW	SCREW, FOR CLUTCH RETAINER (2 REQUIRED)	69	1383065	69-WAR15LW	RETAINER RING
27	1405701	27-RVL20LWLC	NON-HANDLE SIDE PLATE	69A	1383066	69A-WAR15LW	RETAINER RING (2 REQUIRED)
27A	1383027	27A-WAR15LW	BEARING HOUSING	98	1383067	98-WAR15LW	MAIN GEAR SHAFT
27B	1383028	27B-WAR15LW	SCREW (2 REQUIRED)	98R	1383069	98R-WAR15LW	ANTI REVERSE RATCHET
27C	1383029	27C-WAR15LW	SCREW	98S	1383070	98S-WAR15LW	CLUTCH SLEEVE
28	1405691	28-RVL15LW	RING, NON HANDLE SIDE				

120	1383071	120-WAR15LW	O-RING	149	1184702	149-45	ROD CLAMP NUT (2 REQUIRED)
134A	1383072	134A-WAR15LW	CLUTCH RECOVER PLATE	149A	1184706	149-200	HEX NUT (2 REQUIRED)
134B	1383073	134B-WAR15LW	CLUTCH RECOVER SUPPORT PLATE	154	1383077	154-WAR15LW	CLICK BUTTON WASHER
134C	1383074	134C-WAR15LW	CLUTCH RECOVER SPRING	158	1383078	158-WAR15LW	DOG PIN (2 REQUIRED)
				183	1383080	183-WAR20LW	FRAME ASSEMBLY
				303	1383274	303-WAR15LWLC	COUNTER WHEEL ASSEMBLY

NOTE: Many of www.pennparts.com schematics include changes that were either made by Penn, or errors found and corrected by our parts dept.

SBT Ver. 091116 (Based on Penn's Rev 0. 10-19-15)

ERRORS/CORRECTIONS/NOTES:

*20A PART # matched up by Pennparts.com, this was not assigned a part # by Penn, they consider it part of the spool