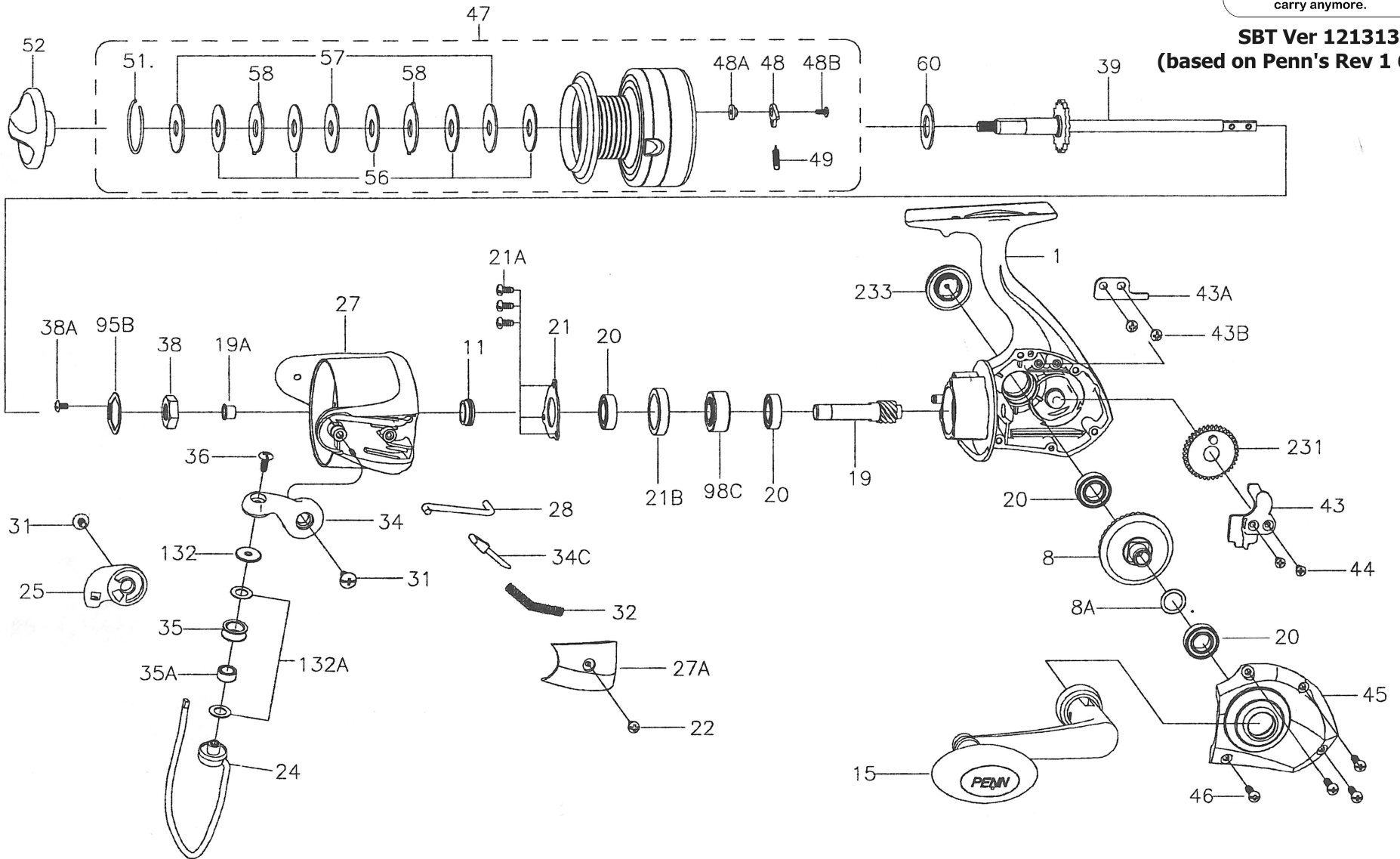




# Parts List for Model PURII6000

www.PENNparts.com  
**Scott's Bait & Tackle**  
Penn Parts Dept.  
945 Radio Road  
Tuckerton NJ 08087  
(609) 296-1300  
No Minimum Order!  
Plus, Parts in stock  
that Penn doesn't  
carry anymore.

**SBT Ver 121313**  
**(based on Penn's Rev 1 6/3/13)**



## Penn Reel Parts list for Model: PURII6000 Pursuit ii Spinning Series

KEY PART		PURE FISHING		KEY PART		PURE FISHING	
NO	NO.	PART #	DESCRIPTION	NO	NO.	PART #	DESCRIPTION
1	1-PURII6000	1308154	HOUSING	38A	38A-3000PUR	1203995	ROTOR LOCKING PLATE SCREW
8	8-5000PUR	1204009	MAIN GEAR ASSEMBLY	39	39-6000FRC	1214203	SPOOL SHAFT
8A	8A-5000SG	1191030	MAIN GEAR SHIM	43	43-5000SG	1191805	CROSSWIND BLOCK
11	11-5000SG	1191085	BUSHING	43A	43A-5000SG	1191820	CROSSWIND BLOCK PLATE
15	15-PURII5000	1308155	HANDLE ASSEMBLY	43B	43B-5000PUR	1203997	CROSSWIND BLOCK PLATE SCREW (2 REQUIRED)
19	19-5000PUR	1204011	PINION GEAR	44	44-5000SG	1191845	CROSSWIND BLOCK SCREW (2 REQUIRED)
19A	19A-5000SG	1191253	PINION BUSHING	45	45-PURII5000	1308162	HOUSING COVER
20	20-5000PUR	1204012	BALL BEARING (4 REQUIRED)	46	46-5000PUR	1204054	HOUSING COVER SCREW (4 REQUIRED)
21	21-5000SG	1192636	BEARING RETAINER	47	47-PURII6000	1308164	SPOOL ASSEMBLY
21A	21A-5000PUR	1204016	BEARING RETAINER SCREW (3 REQUIRED)	48	48-5000SG	1211625	CLICK TONGUE
21B	21B-5000SG	1192650	COLLAR	48A	48A-5000SG	1211626	CLICK TONGUE WASHER
22	22-6000PUR	1204018	BAIL ARM COVER SCREW	48B	48B-5000SG	1211612	SPOOL CLICK SCREW
24	24-PURII6000	1308157	BAIL WIRE	49	49-4500SG	1211627	CLICK TONGUE SPRING
25	25-PURII6000	1308159	BAIL HOLDER	51	51-6000PUR	1287230	DRAG RETAINING RING
27	27-PURII6000	1308161	ROTOR CUP W/WEIGHT & SCREW	52	52-PURII5000	1308165	DRAG KNOB
27A	27A-6000PUR	1204025	BAIL PIVOT COVER	56	56-5000SG	1192036	DRAG WASHER HT100 (5 REQUIRED)
28	28-6000PUR	1204027	TRIP LEVER	57	57-5000SG	1192044	KEYED DRAG WASHER (3 REQUIRED)
31	31-6000PUR	1204039	BAIL ARM SCREW (2 REQUIRED)	58	58-5000SG	1192053	EARRED DRAG WASHER (2 REQUIRED)
32	32-6000SG	1200520	BAIL SPRING	60	60-5000SG	1192062	THRUST WASHER
34	34-6000FRC	1214201	BAIL ARM	95B	95B-5000SG	1192186	ROTOR LOCKING PLATE
34C	34C-7000SG	1191656	PIVOT ARM	98C	98C-5000SG	1192215	CLUTCH/SLEEVE ASSEMBLY
35	35-3000SG	1191674	LINE ROLLER	132	132-5000SG	1192297	ROLLER WASHER
35A	35A-3000PUR	1203992	LINE ROLLER BEARING	132A	132A-3000SG	1192302	LINE ROLLER WASHER (2 REQUIRED)
36	36-3000PUR	1203993	BAIL STUD SCREW	231	231-6000SG	1200523	CROSSWIND GEAR
38	38-5000PUR	1204049	ROTOR NUT	233	233-PURII5000	1308166	BEARING COVER

NOTE: Many of www.pennparts.com schematics include changes that were either made by Penn, or errors found and corrected by our parts dept.  
 SBT Ver. 121313 (based on Penn's 407-PURII5000/PURII6000 Rev. 1 6-13-13)

Error on original schematic: 36-3000SG bail stud screw not used on PURii5000/6000 reels. Uses 36-5000SG