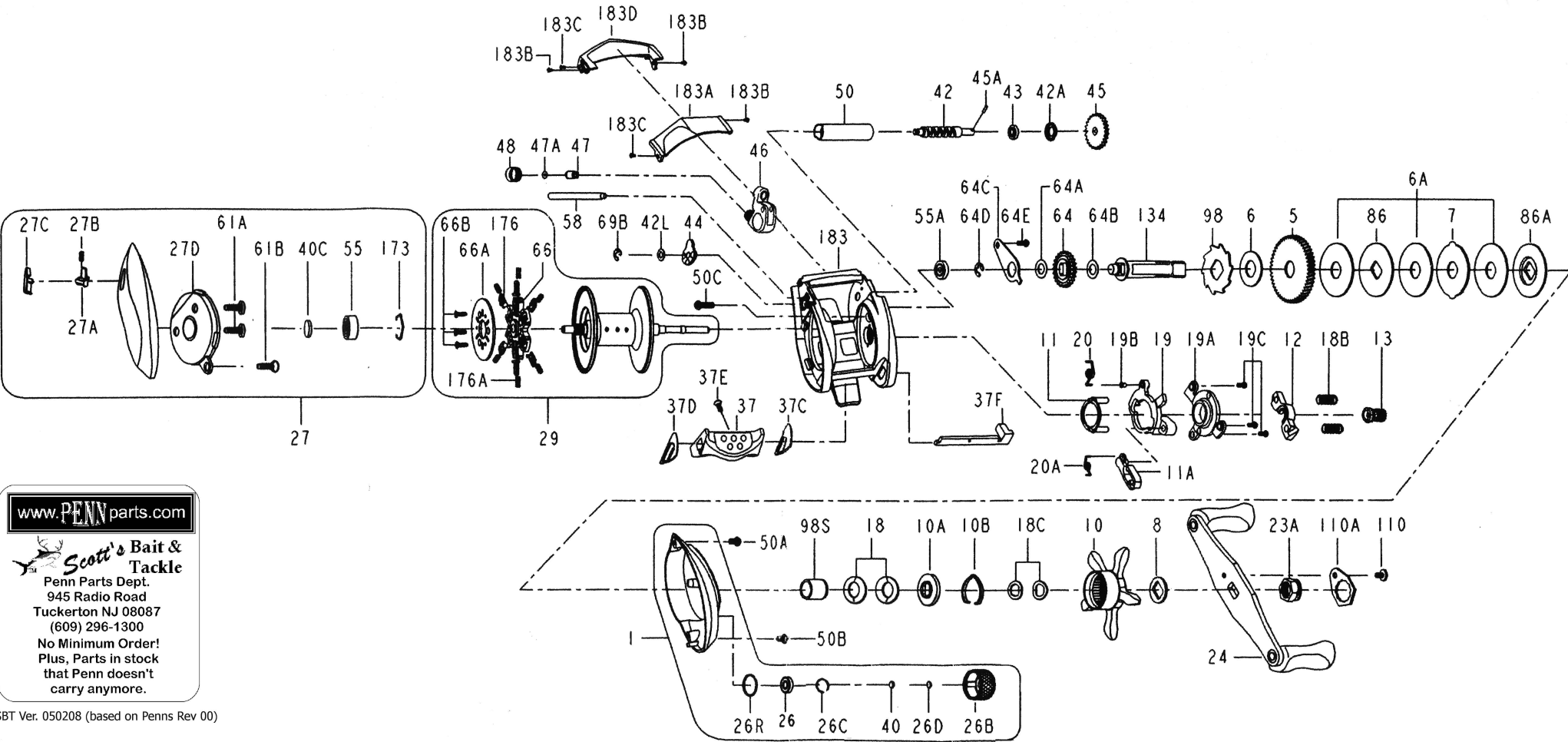




PARTS LIST FOR MODEL PUR64LP



www.PENNparts.com

Scott's Bait & Tackle
 Penn Parts Dept.
 945 Radio Road
 Tuckerton NJ 08087
 (609) 296-1300
 No Minimum Order!
 Plus, Parts in stock
 that Penn doesn't
 carry anymore.

Penn Reel Parts list for:

Model: PUR64LP Pursuit Baitcaster

KEY	PART	DESCRIPTION	KEY	PART	DESCRIPTION
NO	NO.		NO	NO.	
1	1-PUR	R.S. PLATE ASSEMBLY	44	44-PUR	BUSHING L.S. WORM
5	5-PUR	MAIN GEAR	45	45-PUR	GEAR, WORM
6	6-965	WASHER, RATCHET	45A	45A-PUR	PIN, WORM SHAFT
6A	6-PUR	WASHER, DRAG (3 REQUIRED)	46	46-PUR	CARRIAGE ASSEMBLY
7	7-PUR	WASHER, METAL EARRERD	47	47-PUR	PAWL, LINE GUIDE
8	8-PUR	WASHER, HANDLE	47A	47A-PUR	WASHER, PAWL
10	10-PUR	STAR DRAG	48	48-PUR	SCREW, PAWL COVER
10A	10A-PUR	HOLDER, CLICK	50	50-PUR	SHIELD, WORM SHAFT
10B	10B-PUR	SPRING, CLICK LEAF	50A	50A-PUR	SCREW, R.S. PLATE
11	11-PUR	HOLDER, YOKE	50B	50B-PUR	SCREW, R.S. PLATE
11A	11A-PUR	PAWL, RETURN	50C	50C-PUR	SCREW, R.S. FRAME
12	12-PUR	YOKE	55	55-PUR	BEARING, L.S. PLATE
13	13-PUR	PINION GEAR	55A	55A-PUR	BEARING, R.S. FRAME
18	18-965	WASHER, DRAG SPRING (2 REQUIRED)	58	58-PUR	POST, LINE GUIDE
18B	18B-PUR	SPRING, CLUTCH (2 REQUIRED)	61A	61A-PUR	SCREW, RING (2 REQUIRED)
18C	18C-PUR	WASHER, SPRING (2 REQUIRED)	61B	61B-PUR	SCREW, SPOOL COVER
19	19-PUR	CAM, CLUTCH	64	64-PUR	GEAR, WORM DRIVE
19A	19A-PUR	PLATE, CLUTCH CAM	64A	64A-PUR	WASHER
19B	19B-PUR	BUSHING, CLUTCH CAM PLATE	64B	64B-PUR	WASHER (G/METAL)
19C	19C-PUR	SCREW, CLUTCH CAM (3 REQUIRED)	64C	64C-PUR	PLATE, BEARING
20	20-PUR	SPRING, TORSION	64D	64D-PUR	RING, RETAINING
20A	20A-PUR	SPRING, RETURN TORSION	64E	64E-PUR	SCREW, BEARING PLATE
23A	23A-PUR	NUT, HANDLE	66	66-PUR	HOLDER, BRAKE SHOE
24	24-PUR	HANDLE ASSEMBLY	66A	66A-PUR	PLATE, BRAKE HOLDER
26	26-PUR	BEARING, R.S. PLATE	66B	66B-PUR	SCREW, BRAKE (3 REQUIRED)
26B	26B-PUR	CAST CONTROL CAP ASSEMBLY	69B	69B-PUR	E RING, WORM
26C	26C-PUR	RETAINER, BEARING	86	86-PUR	WASHER, KEYED
26D	26D-PUR	WASHER, TENSION	86A	86A-PUR	WASHER, METAL KEYED TOP
26R	26R-PUR	O RING	98	98-PUR	RATCHET, ANTI-REVERSE
27	27-PUR	L.S. PLATE ASSEMBLY	98S	98S-PUR	SLEEVE, ROLLER CLUTCH
27A	27A-PUR	PIN, LOCKING	110	110-PUR	SCREW, HANDLE LOCK
27B	27B-PUR	SPRING, PUSH BUTTON	110A	110A-PUR	PLATE, HANDLE LOCKING
27C	27C-PUR	BUTTON ASSEMBLY	134	134-PUR	GEAR STUD
27D	27D-PUR	BRAKE COVER ASSEMBLY	173	173-PUR	RETAINER, L.S. BEARING
29	29-PUR	SPOOL ASSEMBLY	176	176-PUR	SHOE, BRAKE (6 REQUIRED)
37	37-PUR	CLUTCH BAR	176A	176A-PUR	SPRING, BRAKE SHOE (6 REQUIRED)
37C	37C-PUR	PLATE, R.S. CLUTCH BAR	183	183-PUR	HOUSING FRAME
37D	37D-PUR	PLATE, L.S. CLUTCH BAR	183A	183A-PUR	THUMB REST
37E	37E-PUR	SCREW, CLUTCH BAR	183B	183B-PUR	SCREW, R.S. THUMB REST (3 REQUIRED)
37F	37F-PUR	LINK, CLUTCH BAR	183C	183C-PUR	SCREW, L.S. THUMB REST (2 REQUIRED)
40	40-PUR	WASHER, THRUST	183D	183D-PUR	COVER, FRONT FRAME
40C	40C-PUR	WASHER, METAL THRUST			
42	42-PUR	SHAFT, WORM			
42A	42A-PUR	BUSHING, R.S. WORM			
42L	42L-PUR	WASHER, L.S. WORM			
43	43-PUR	GEAR, WORM			

NOTE: Many of www.pennparts.com schematics include changes that were either made by Penn, or errors found and corrected by our parts dept.

SBT Ver. 050208 (based on Penn's Rev 00)