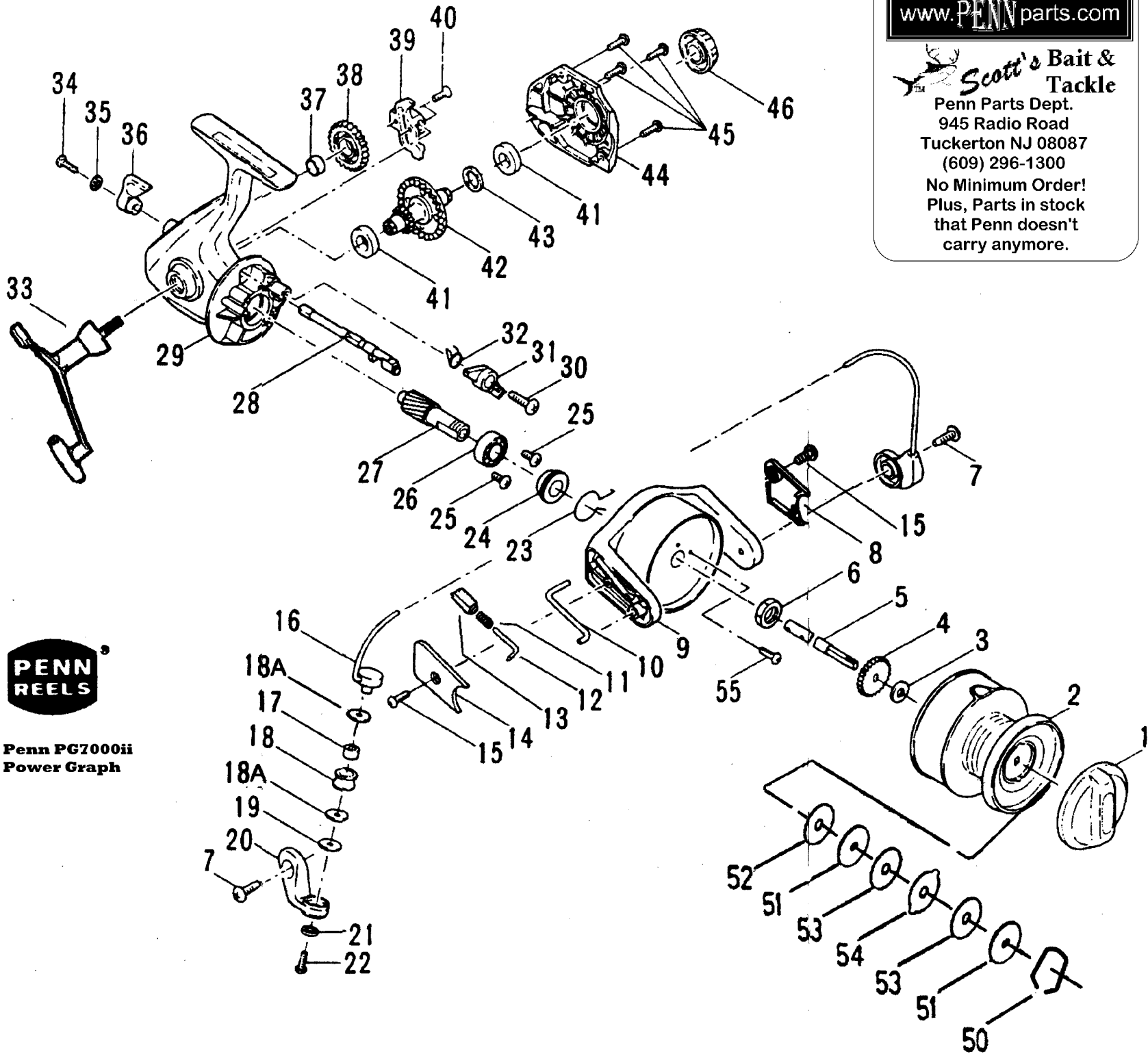


www.PENNparts.com

Scott's Bait & Tackle

Penn Parts Dept.  
945 Radio Road  
Tuckerton NJ 08087  
(609) 296-1300

No Minimum Order!  
Plus, Parts in stock  
that Penn doesn't  
carry anymore.



**PENN**  
**REELS**

**Penn PG7000ii**  
**Power Graph**

# Penn Reel Parts list for Model: PG7000ii PowerGraph II

KEY	PART	DESCRIPTION	KEY	PART	DESCRIPTION
NO	NO.		NO	NO.	
1	52-6000	DRAG KNOB ASM. W/ SPRING	29	1-7000P	HOUSING
2	47-7000	SPOOL ASSEMBLY	30	3-6000	DOG MOUNTING SCREW
3	60-6000	THRUST WASHER	31	4-6000	ANTI-REVERSE DOG
4	40B-7000	CLICK RATCHET	32	4A-6000	DOG SPRING
5	39-7000	SPOOL SHAFT	33	15-6000P	HANDLE ASSEMBLY
6	38-6000	ROTOR NUT	34	6F-3000	ECC. LEVER MOUNTING SCREW
7	31A-3000	TRIP ARM SCREWS (2 REQ.)	35	36A-103	LOCK WASHER
8	227-6000P	CAM LEVER COVER	36	6E-3000	ECCENTRIC LEVER
9	27-7000P	ROTOR CUP	37	231A-3000	CROSSWIND GEAR BUSHING
10	28A-7000P	TRIP CAM LEVER	38	231-6000	CROSSWIND GEAR
11	34C-6000P	PIVOT SPRING	39	43-6000	CROSSWIND GEAR BLOCK
12	34B-6000P	PIVOT SHAFT	40	59-110	CROSSWIND BLOCK SCREW (2 REQ.)
13	34D-6000P	PIVOT GUIDE	41	2A-6000	COVER & HOUSING BUSHING (2 REQ.)
14	27A-6000P	BAIL PIVOT COVER	42	8-6000P	MAIN GEAR
15	22-875	COVER SCREW (2 REQ.)	43	8A-6000	MAIN GEAR SHIM
16	24-7000P	BAIL WIRE ASSEMBLY	44	45-7000P	HOUSING COVER
17	35A-3000	LINE ROLLER BUSHING	45	46-6000	COVER SCREWS (4 REQ.)
18	35-3000	LINE ROLLER	46	233-3000	BEARING COVER
18A	35B-6000P	LINE ROLLER TEFLON WASHER (2 REQ.)	**47	48-1000P	SPOOL CLICK TONGUE
19	132-3000	ROLLER WASHER	**48	49-103CS	CLICK TONGUE SPRING
20	34-6000P	BAIL ARM	**48A	22-103CS	CLICK TONGUE SCREW
21	36A-103	LOCK WASHER	50	51-6000	DRAG RETAINING RING
22	36-1000	BAIL STUD SCREW	51	57-6000	KEYED DRAG WASHER (2 REQ.)
23	230-6000	SILENT DOG SPRING	52	6-6000	TEFLON DRAG WASHER (3 REQ.)
24	19A-6000	PINION SPACER	53	6-7000	DRAG WASHER HT100 (2 REQ.)
25	22-875	BEARING MTG SCREW (2 REQ.)	54	58-6000	EAR DRAG WASHER (2 REQ.)
26	20-105	BALL BEARING	55	305-875	ROTOR NUT LOCKING SCREW
27	19-6000	PINION GEAR			
28	6A-6000	ECCENTRIC SHAFT			

\*\* NOT SHOWN

NOTE: Many of [www.pennparts.com](http://www.pennparts.com) schematics include changes that were either made by Penn, or errors found and corrected by our parts dept.

Last Updated: 2/20/05