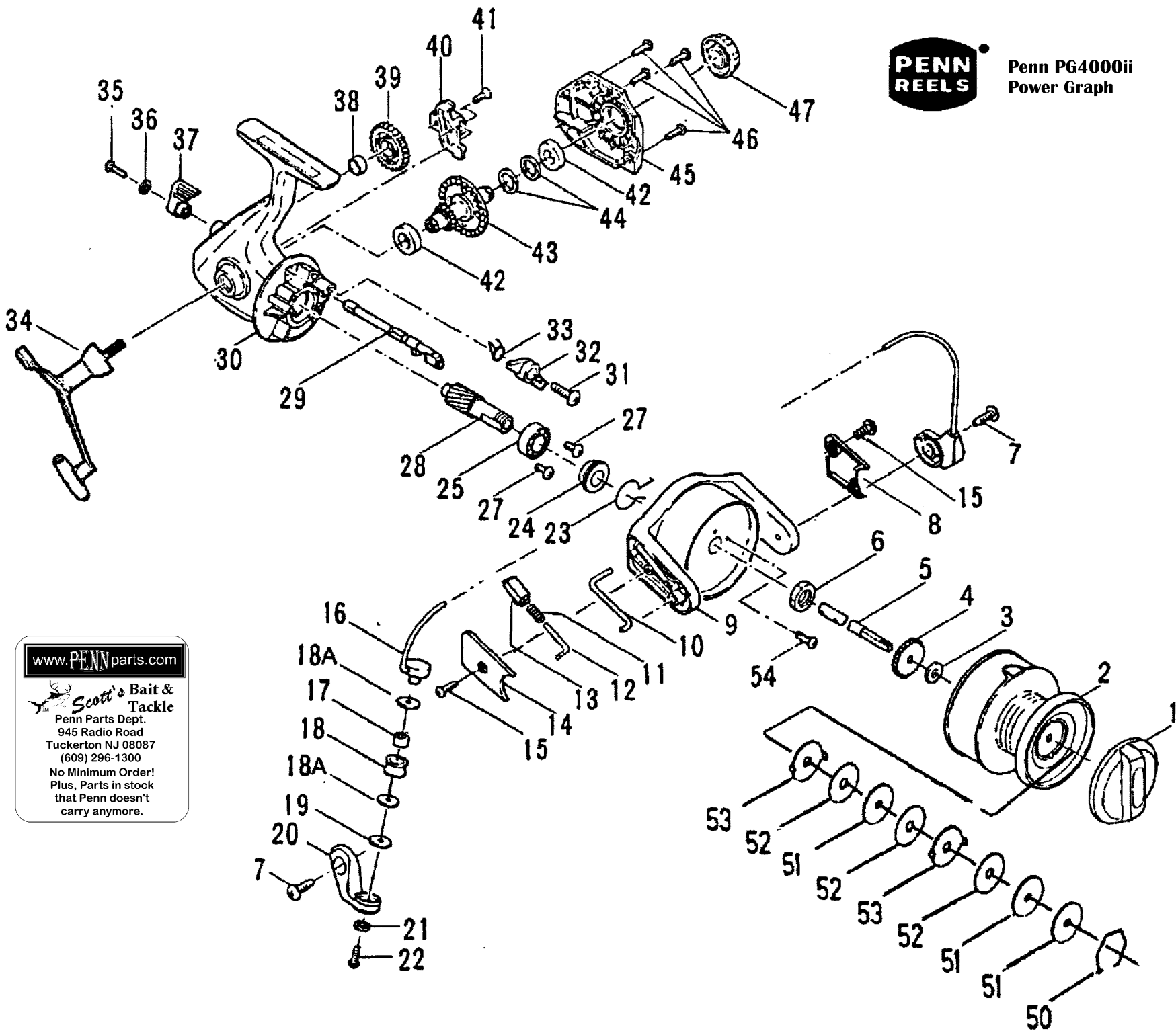




Penn PG4000ii
Power Graph



www.PENNparts.com
Scott's Bait & Tackle
Penn Parts Dept.
945 Radio Road
Tuckerton NJ 08087
(609) 296-1300
No Minimum Order!
Plus, Parts in stock
that Penn doesn't
carry anymore.

Penn Reel Parts list for:

Model: PG4000ii PowerGraph II

KEY PART	KEY PART	KEY PART	KEY PART
NO NO.	DESCRIPTION	NO NO.	DESCRIPTION
1 52-3000	DRAG KNOB ASM. W/ SPRING	29 6A-3000	ECCENTRIC SHAFT
2 47-4000	SPOOL ASSEMBLY	30 1-4000P	HOUSING
3 60-3000	THRUST WASHER	31 3-3000	DOG MOUNTING SCREW
4 40B-3000	CLICK RATCHET	32 4-3000	ANTI-REVERSE DOG
5 39-4000	SPOOL SHAFT	33 4A-3000	DOG SPRING
6 38-3000	ROTOR NUT	34 15-3000P	HANDLE ASSEMBLY
7 31A-3000	TRIP ARM SCREWS (2 REQ.)	35 6F-3000	ECC. LEVER MOUNTING SCREW
8 227-3000P	CAM LEVER COVER	36 36A-103	LOCK WASHER
9 27-4000P	ROTOR CUP	37 6E-3000	ECCENTRIC LEVER
10 28A-3000P	TRIP CAM LEVER	38 231A-3000	CROSSWIND GEAR BUSHING
11 34C-3000P	PIVOT SPRING	39 231-3000	CROSSWIND GEAR
12 34B-3000P	PIVOT SHAFT	40 43-3000	CROSSWIND GEAR BLOCK
13 34D-1500P	PIVOT GUIDE	41 44-1500	CROSSWIND BLOCK SCREW
14 27A-4000P	BAIL PIVOT COVER	42 2A-3000	HOUSING BUSHING
15 22-875	COVER SCREW (2 REQ.)	43 8-3000P	MAIN GEAR
16 24-4000P	BAIL WIRE ASSEMBLY	44 8A-3000	MAIN GEAR SHIM
17 35A-3000	LINE ROLLER BUSHING	45 45-4000P	HOUSING COVER
18 35-3000	LINE ROLLER	46 46-1000	COVER SCREWS (4 REQ.)
18A 35B-1000P	LINE ROLLER TEFLON WASHER (2 REQ.)	47 233-3000	BEARING COVER
19 132-3000	ROLLER WASHER	**48 48-1000P	SPOOL CLICK TONGUE
20 34-3000P	BAIL ARM	**48A 49-103CS	CLICK TONGUE SPRING
21 36A-103	LOCK WASHER	49 22-103CS	CLICK TONGUE SCREW
22 36-1000	BAIL STUD SCREW	50 51-3000	DRAG RETAINING RING
23 230-3000	SILENT DOG SPRING	51 57-3000	KEYED DRAG WASHER (2 REQ.)
24 19A-3000	PINION SPACER	52 6-3000	TEFLON DRAG WASHER (3 REQ.)
25 20-3000	BALL BEARING	53 58-3000	EAR DRAG WASHER (2 REQ.)
27 22-875	BEARING MTG SCREW (2 REQ.)	54 305-875	ROTOR NUT LOCKING SCREW
28 19-3000	PINION GEAR		

**** NOT SHOWN**

NOTE: Many of www.pennparts.com schematics include changes that were either made by Penn, or errors found and corrected by our parts dept.