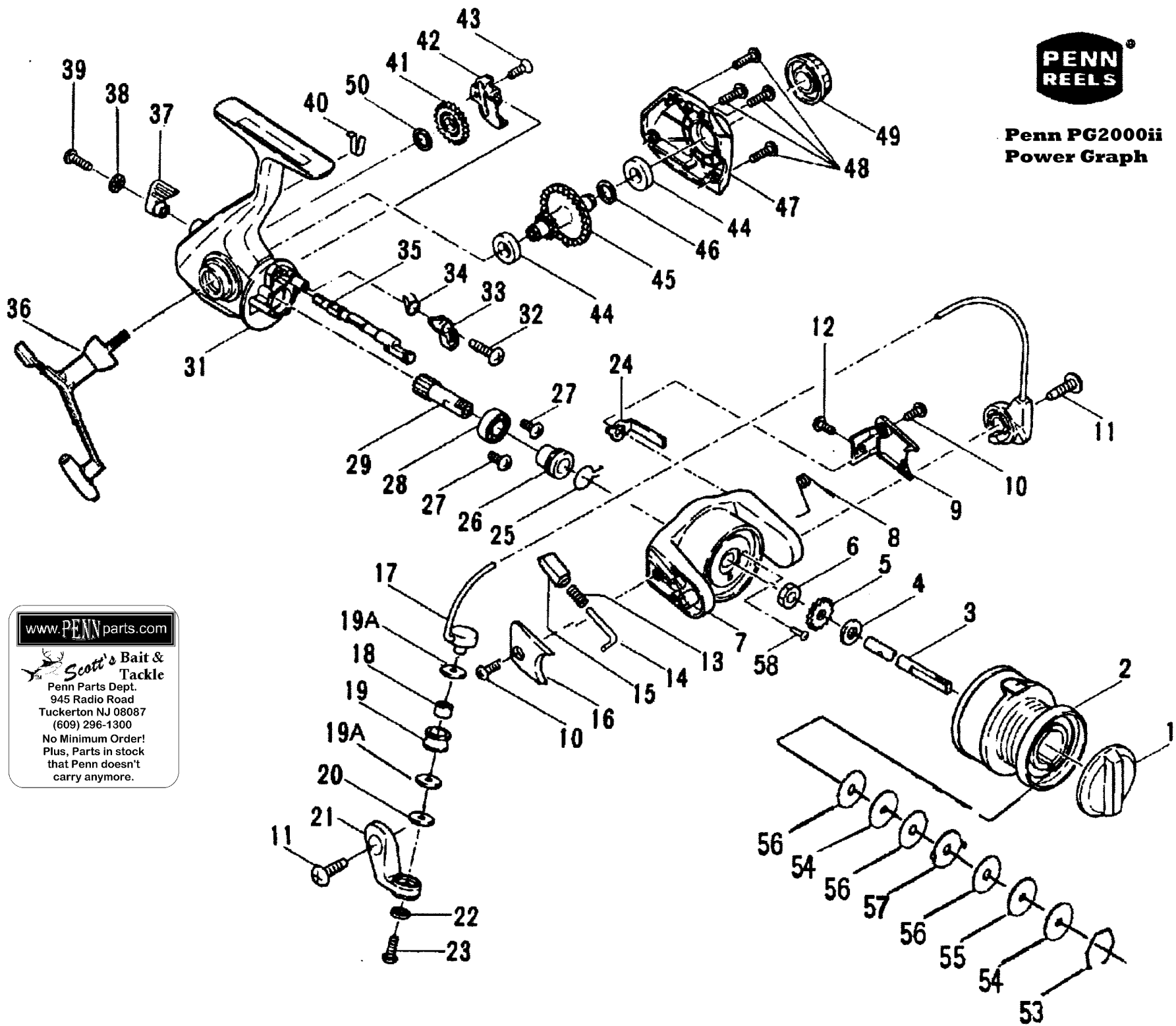




**Penn PG2000ii  
Power Graph**



[www.PENNparts.com](http://www.PENNparts.com)

**Scott's Bait & Tackle**

Penn Parts Dept.  
945 Radio Road  
Tuckerton NJ 08087  
(609) 296-1300

No Minimum Order!  
Plus, Parts in stock  
that Penn doesn't  
carry anymore.

## Penn Reel Parts list for:

## Model: PG2000ii PowerGraph II

KEY PART			KEY PART		
NO	NO.	DESCRIPTION	NO	NO.	DESCRIPTION
1	52-1500	DRAG KNOB ASM. W/ SPRING	31	1-2000P	HOUSING
2	47-2000P	SPOOL ASSEMBLY	32	3-1500	DOG MOUNTING SCREW
3	39-2000	SPOOL SHAFT	33	4-1500	ANTI-REVERSE DOG
4	60-1500	THRUST WASHER	34	4A-1500	DOG SPRING
5	40B-1500	CLICK RATCHET	35	6A-1500	ECCENTRIC SHAFT
6	38-1000	ROTOR NUT	36	15-1000P	HANDLE ASSEMBLY
7	27-2000P	ROTOR CUP	37	6E-1000	ECCENTRIC LEVER
8	106-1000P	CAM LEVER SPRING	38	6G-1000	THRUST WASHER
9	227-2000P	CAM LEVER COVER	39	6F-1000	ECC. LEVER MOUNTING SCREW
10	50-1000	COVER SCREW	40	6D-1000	ECC. SHAFT SPRING
11	31A-1000	TRIP ARM SCREWS (2 REQ.)	41	231-1500	CROSSWIND GEAR
12	28B-1500	CAM LEVER MTG. SCREWS (2 REQ.)	42	43-1500	CROSSWIND GEAR BLOCK
13	34C-1500P	PIVOT	43	44-1500	CROSSWIND BLOCK SCREW
14	34B-1500P	PIVOT SHAFT	44	2A-1000	HOUSING BUSHING
15	34D-1500P	PIVOT GUIDE	45	8-1500P	MAIN GEAR
16	27A-2000P	BAIL PIVOT COVER	46	8A-3000	MAIN GEAR SHIM
17	24-2000P	BAIL WIRE ASSEMBLY	47	45-1000P	HOUSING COVER
18	35A-1000	LINE ROLLER BUSHING	48	46-1000	COVER SCREWS (3 REQ.)
19	35-1000	LINE ROLLER	49	233-1000	BEARING COVER
19A	35B-1000P	LINE ROLLER TEFLON WASHER (2 REQ.)	50	231A-1500	SPOOL CLICK TONGUE
20	132-1000	ROLLER WASHER	**51	48-1000P	SPOOL CLICK TONGUE
21	34-1500P	BAIL ARM	**51A	49-103CS	CLICK TONGUE SPRING
22	36A-103	LOCK WASHER	**52	22-103CS	CLICK TONGUE SCREW
23	36-1000	BAIL STUD SCREW	53	51-1000	DRAG RETAINING RING
24	28A-2000P	TRIP CAM LEVER	54	57-1000	KEYED DRAG WASHER (2 REQ.)
25	230-1500	SILENT DOG SPRING	55	52A-1000	DRAG WASHER (THICK)
26	19A-1500	PINION SPACER	56	6-1000	TEFLONG DRAG WASHER (3 REQ.)
27	23-1000	BEARING MTG. SCREWS (2 REQ.)	57	58-1000	EAR DRAG WASHER
28	20-1000	BALL BEARING	58	305-875	ROTOR NUT LOCKING SCREW
29	19-1500	PINION GEAR			

**\*\* NOT SHOWN**

NOTE: Many of [www.pennparts.com](http://www.pennparts.com) schematics include changes that were either made by Penn, or errors found and corrected by our parts dept.