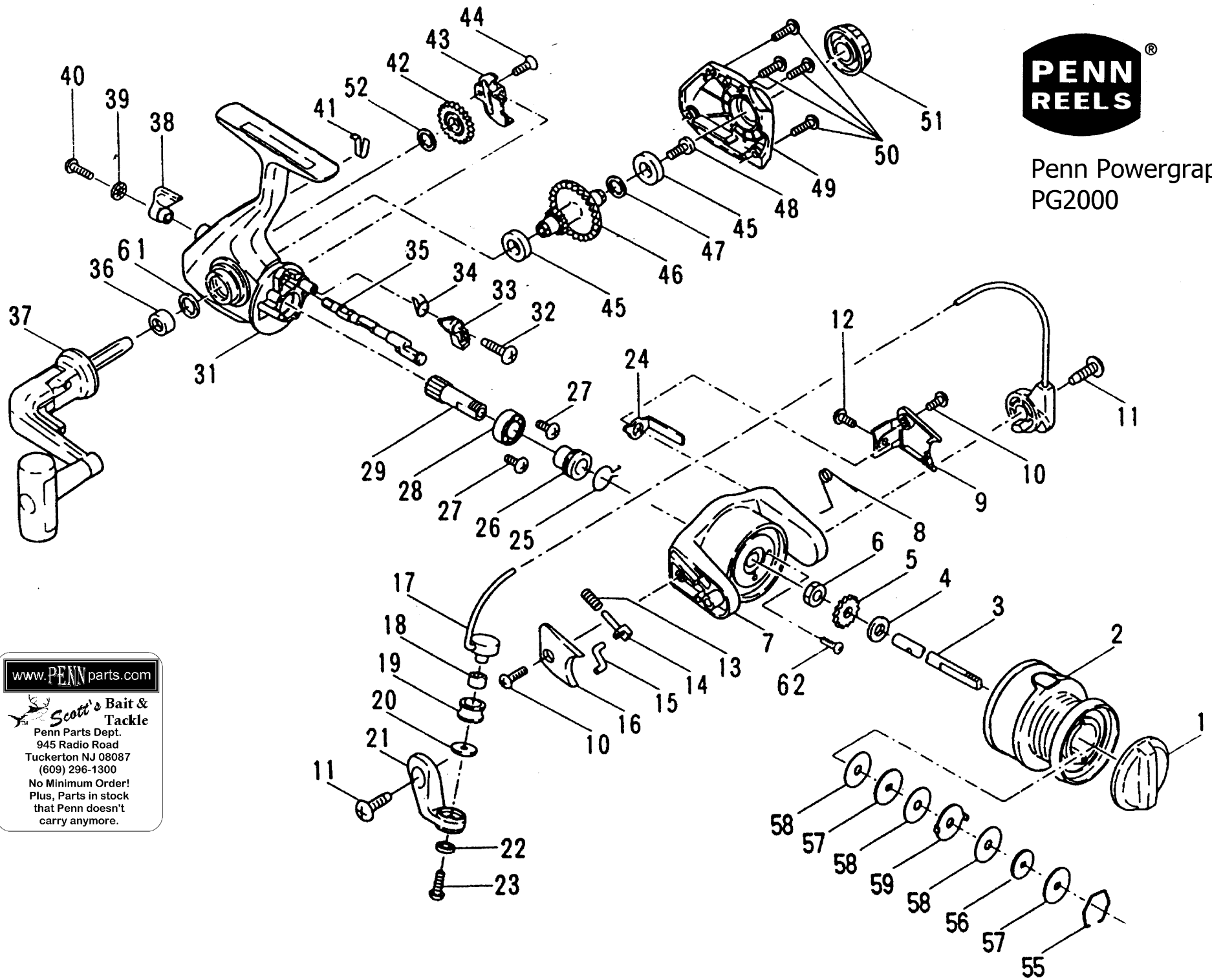




Penn Powergraph
PG2000



www.PENNparts.com

Scott's Bait & Tackle

Penn Parts Dept.
945 Radio Road
Tuckerton NJ 08087
(609) 296-1300

No Minimum Order!
Plus, Parts in stock
that Penn doesn't
carry anymore.

Penn Reel Parts list for:

Model: 2000 PowerGraph PG2000

KEY PART			KEY PART		
NO	NO.	DESCRIPTION	NO	NO.	DESCRIPTION
1	52-1500	DRAG KNOB ASM. W/ SPRING	33	4-1500	ANTI-REVERSE DOG
2	47-2000	SPOOL ASSEMBLY	34	4A-1500	DOG SPRING
3	39-2000	SPOOL SHAFT	35	6A-1500	ECCENTRIC SHAFT
4	60-1500	THRUST WASHER	36	15A-1000	HANDLE SPACER
5	40B-2000	CLICK RATCHET	37	15-1000	HANDLE ASSEMBLY
6	38-1000	ROTOR NUT	38	6E-1000	ECCENTRIC LEVER
7	27-2000	ROTOR CUP	39	6G-1000	THRUST WASHER
8	106-2000	CAM LEVER SPRING	40	6F-1000	ECC. LEVER MOUNTING SCREW
9	227-2000	CAM LEVER COVER	41	6D-1000	ECC. SHAFT SPRING
10	50-1000	COVER SCREWS (2 REQ.)	42	231-1500	CROSSWIND GEAR
11	31A-1000	ARM SCREWS (2 REQ.)	43	43-1500	CROSSWIND BLOCK
12	28B-1500	CAM LEVER MTG. SCREW	44	44-1500	CROSSWIND BLOCK SCREW
13	34C-1500	PIVOT SPRING	45	2A-1000	COVER & HOUSING BUSHINGS (2 REQ.)
14	34B-1000	PIVOT SHAFT	46	8-1500	MAIN GEAR
15	34A-1500	PIVOT ARM	47	8A-1500	MAIN GEAR SHIM
16	27A-2000	BAIL PIVOT COVER	48	9A-1000	STANDARD DRIVE SCREW
17	24-2000	BAIL WIRE ASSEMBLY	49	45-2000	HOUSING COVER
18	35A-1000	LINE ROLLER BUSHING	50	46-1000	COVER SCREWS (4 REQ.)
19	35-1000	LINE ROLLER	51	233-1000	BEARING COVER
20	132-1000	ROLLER WASHER	52	231A-1500	CROSSWIND GEAR SHIM
21	34-1500	BAIL ARM	**	48-2000	SPOOL CLICK TONGUE
22	36A-103	WASHER (Old#22A-875)	**	22-1000	CLICK TONGUE
23	36-1000	BAIL STUD SCREW	55	51-1000	DRAG RETAINING RING
24	28A-2000	CAM LEVER	56	52A-1000	DRAG WASHER (THICK)
25	230-1500	SILENT DOG SPRING	57	57-1000	KEYED DRAG WASHER (2 REQ.)
26	19A-1500	PINION SPACER	58	6-1000	TEFLON DRAG WASHERS (3 REQ.)
27	23-1000	BEARING MTG. SCREWS (2 REQ.)	59	58-1000	EAR DRAG WASHER (1)
28	20-1000	BALL BEARING	**	40C-4000	CLICK WASHER
29	19-1500	PININO GEAR	61	15B-900	HANDLE WASHER
31	1-2000	HOUSING	62	305-875	ROTOR NUT LOCKING SCREW
32	3-1500	DOG MOUNTING SCREW			

NOTE: Many of www.pennparts.com schematics include changes that were either made by Penn, or errors found and corrected by our parts dept.

SBT Ver. 060907