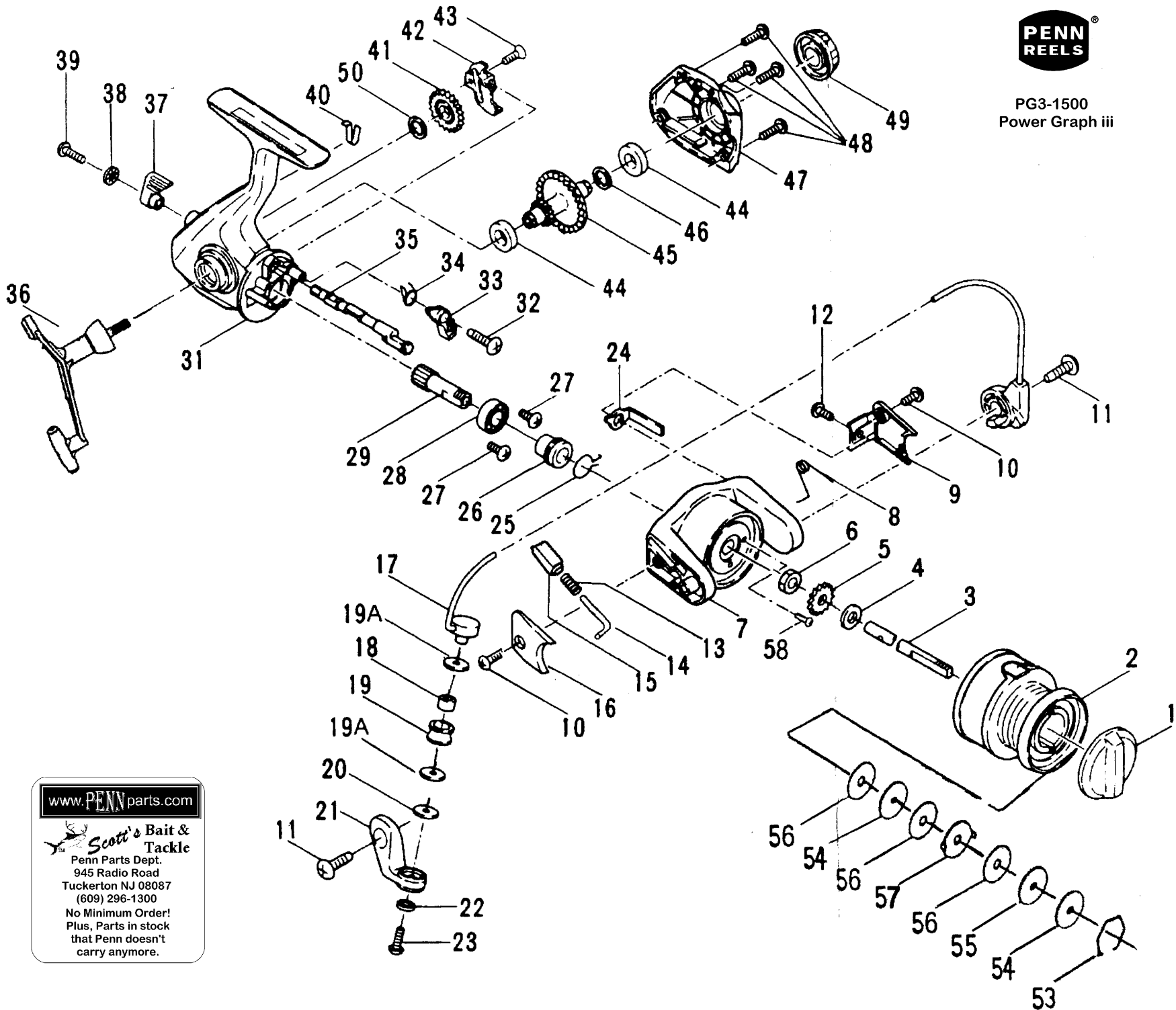




PG3-1500
Power Graph iii



www.PENNparts.com

Scott's Bait & Tackle

Penn Parts Dept.
945 Radio Road
Tuckerton NJ 08087
(609) 296-1300

No Minimum Order!
Plus, Parts in stock
that Penn doesn't
carry anymore.

Penn Reel Parts list for:

Model: PG1500iii PowerGraph 3

KEY PART			KEY PART		
NO	NO.	DESCRIPTION	NO	NO.	DESCRIPTION
1	52-1500	DRAG KNOB ASM. W/ SPRING	33	4-1500	ANTI-REVERSE DOG
2	47-1500P	SPOOL ASSEMBLY	34	4A-1500	DOG SPRING
3	39-1500	SPOOL SHAFT	35	6A-1500	ECCENTRIC SHAFT
4	60-1500	THRUST WASHER	36	15-1500P	HANDLE ASSEMBLY
5	40B-1500	CLICK RATCHET	37	6E-1000	ECCENTRIC LEVER
6	38-1000	ROTOR NUT	38	6G-1000	THRUST WASHER
7	27-1500P	ROTOR CUP	39	6F-1000	ECC. LEVER MOUNTING SCREW
8	106-1000P	CAM LEVER SPRING	40	6D-1000	ECC. SHAFT SPRING
9	227-1500P	CAM LEVER COVER	41	231-1500	CROSSWIND GEAR
10	50-1000	COVER SCREW	42	43-1500	CROSSWIND GEAR BLOCK
11	31A-1000	TRIP ARM SCREWS (2 REQ.)	43	44-1500	CROSSWIND BLOCK SCREW
12	28B-1500	CAM LEVER MTG. SCREWS (2 REQ.)	44	2B-1500	HOUSING BUSHING
13	34C-1500P	PIVOT	45	8-1500P	MAIN GEAR
14	34B-1500P	PIVOT SHAFT	46	8A-3000	MAIN GEAR SHIM
15	34D-1500P	PIVOT GUIDE	47	45-1500P	HOUSING COVER
16	27A-1500P	BAIL PIVOT COVER	48	46-1000	COVER SCREWS (3 REQ.)
17	24-1500P	BAIL WIRE ASSEMBLY	49	233-1000	BEARING COVER
18	35A-1000	LINE ROLLER BUSHING	50	231A-1500	CROSSWIND GEAR SHIM
19	35-1000	LINE ROLLER	**51	48-1000P	SPOOL CLICK TONGUE
19A	35B-1000P	LINE ROLLER TEFLON WASHER (2 REQ.)	**51A	49-103CS	CLICK TONGUE SPRING
20	132-1000	ROLLER WASHER	**52	22-103CS	CLICK TONGUE SCREW
21	34-1500P	BAIL ARM	53	51-1000	DRAG RETAINING RING
22	36A-103	LOCK WASHER	54	57-1000	KEYED DRAG WASHER (2 REQ.)
23	36-1000	BAIL STUD SCREW	55	52A-1000	DRAG WASHER (THICK)
24	28A-1500P	TRIP CAM LEVER	56	6-1000	TEFLONG DRAG WASHER (3 REQ.)
25	230-1500	SILENT DOG SPRING	57	58-1000	EAR DRAG WASHER
26	19A-1500	PINION SPACER	58	38A-1000	ROTOR NUT LOCKING SCREW
27	23-1000	BEARING MTG. SCREWS (2 REQ.)			
28	20-1000	BALL BEARING			
29	19-1500	PINION GEAR			
31	1-1500P	HOUSING			
32	3-1500	DOG MOUNTING SCREW			

** NOT SHOWN

NOTE: Many of www.pennparts.com schematics include changes that were either made by Penn, or errors found and corrected by our parts dept.