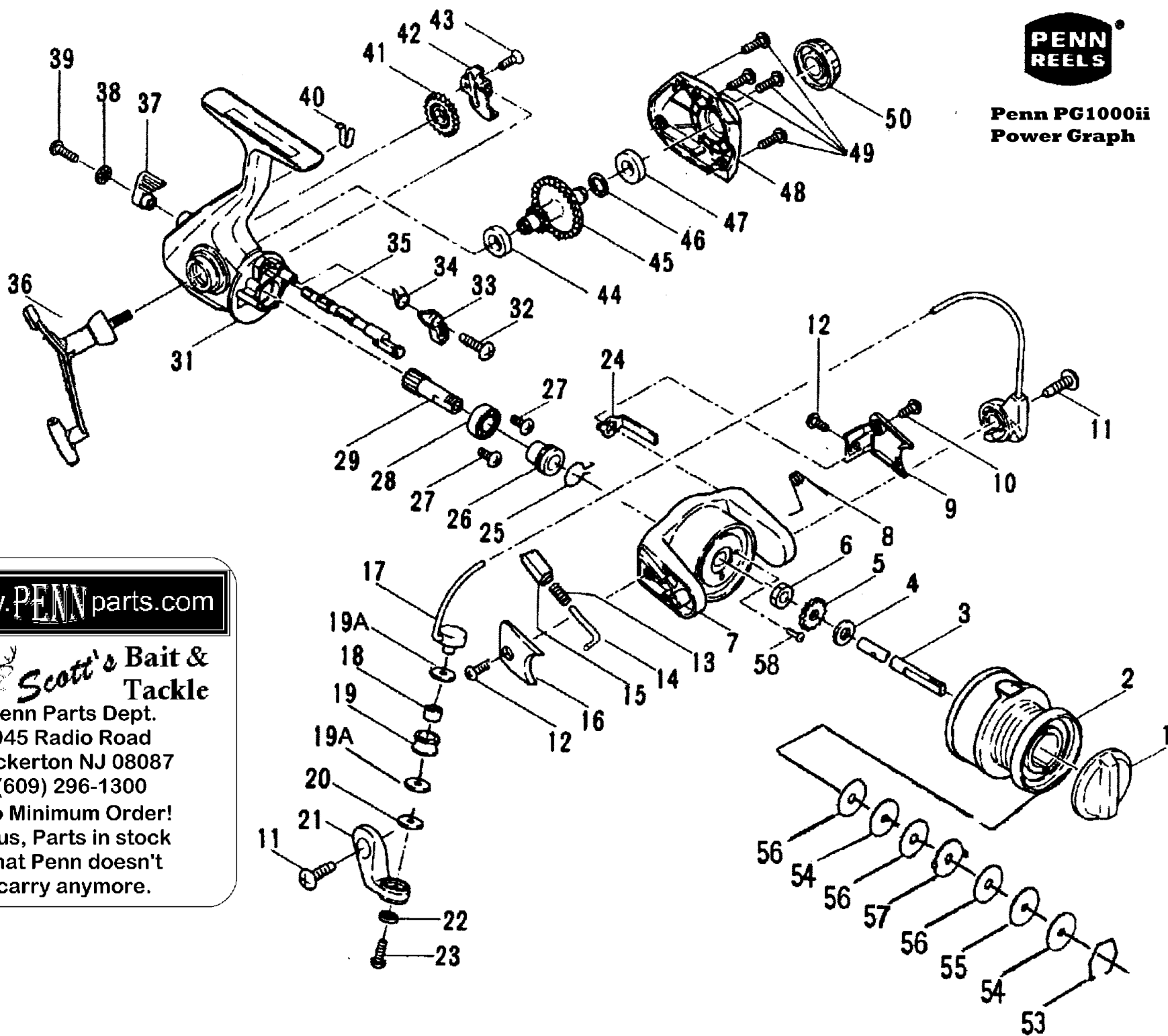




**Penn PG1000ii
Power Graph**



www.PENNparts.com

Scott's Bait & Tackle

Penn Parts Dept.
945 Radio Road
Tuckerton NJ 08087
(609) 296-1300

No Minimum Order!
Plus, Parts in stock
that Penn doesn't
carry anymore.

Penn Reel Parts list for:

Model: PG1000ii PowerGraph II

KEY PART

NO	NO.	DESCRIPTION
1	52-1000	DRAG KNOB ASM. W/ SPRING
2	47-1000	SPOOL ASSEMBLY
3	39-1000	SPOOL SHAFT
4	60-1000	THRUST WASHER
5	40B-1000	CLICK RATCHET
6	38-1000	ROTOR NUT
7	27-1000P	ROTOR CUP
8	106-1000P	CAM LEVER SPRING
9	227-1000P	CAM LEVER COVER
10	50-1000	COVER SCREW
11	31A-1000	TRIP ARM SCREWS (2 REQ.)
12	28B-1000	CAM LEVER MTG. SCREWS (2 REQ.)
13	34C-1000P	PIVOT
14	34B-1000P	PIVOT SHAFT
15	34D-1000P	PIVOT GUIDE
16	27A-1000P	BAIL PIVOT COVER
17	24-1000P	BAIL WIRE ASSEMBLY
18	35A-1000	LINE ROLLER BUSHING
19	35-1000	LINE ROLLER
19A	35B-1000P	LINE ROLLER TEFLON WASHER (2 REQ.)
20	132-1000	ROLLER WASHER
21	34-1000P	BAIL ARM
22	36A-103	LOCK WASHER
23	36-1000	BAIL STUD SCREW
24	28A-1000P	TRIP CAM LEVER
25	230-1000	SILENT DOG SPRING
26	19A-1000	PINION SPACER
27	23-1000	BEARING MTG. SCREWS (2 REQ.)
28	20-1000	BALL BEARING
29	19-1000	PINION GEAR

KEY PART

NO	NO.	DESCRIPTION
31	1-1000P	HOUSING
32	3-1000	DOG MOUNTING SCREW
33	4-1000	ANTI-REVERSE DOG
34	4A-1000	DOG SPRING
35	6A-1000	ECCENTRIC SHAFT
36	15-1000P	HANDLE ASSEMBLY
37	6E-1000	ECCENTRIC LEVER
38	6G-1000	THRUST WASHER
39	6F-1000	ECC. LEVER MOUNTING SCREW
40	6D-1000	ECC. SHAFT SPRING
41	231-1000	CROSSWIND GEAR
42	43-1000	CROSSWIND GEAR BLOCK
43	44-1500	CROSSWIND BLOCK SCREW
44	2-1000	HOUSING BUSHING
45	8-1000P	MAIN GEAR
46	8A-3000	MAIN GEAR SHIM
47	2A-1000	COVER BUSHING
48	45-1000P	HOUSING COVER
49	46-1000	COVER SCREWS (3 REQ.)
50	233-1000	BEARING COVER
**51	48-1000P	SPOOL CLICK TONGUE
**51A	49-103CS	CLICK TONGUE SPRING
**52	22-103CS	CLICK TONGUE SCREW
53	51-1000	DRAG RETAINING RING
54	57-1000	KEYED DRAG WASHER (2 REQ.)
55	52A-1000	DRAG WASHER (THICK)
56	6-1000	TEFLONG DRAG WASHER (3 REQ.)
57	58-1000	EAR DRAG WASHER
58	305-875	ROTOR NUT LOCKING SCREW

**** NOT SHOWN**