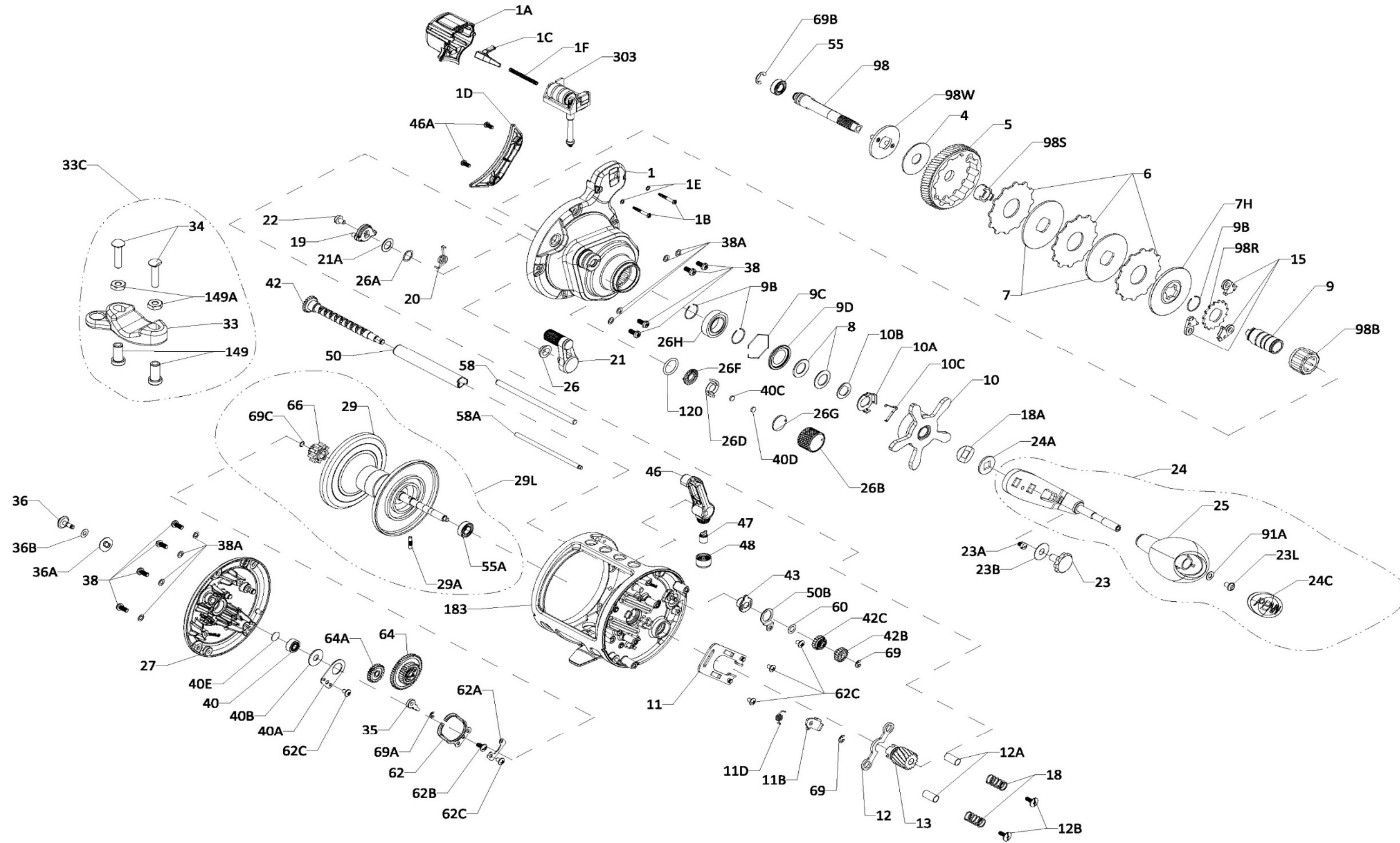




PARTS LIST FOR MODEL
FATHOM II 20LWLC
REEL PART NO.1481309

Key No.	Penn Style No.	Part No.	Description	Key No.	Penn Style No.	Part No.	Description	Key No.	Penn Style No.	Part No.	Description
1	1-FTHII20LWLC	1488800	Right Side Plate Assembly	9	9-FTHII30LW	1488731	Spacer Sleeve	13	13-FTHII20LW	1488791	Pinion
1A	1A-FTHII20LWLC	1488801	Line Counter Cover	9B	9B-FTHII30LW	1488732	Retainer Ring (3 req)	15	15-20	1188675	Anti Reverse Dog (3 req)
1B	1B-FTHII30LWLC	1488818	Screw L. C. Cover (2 req)	9C	9C-FTHII30LW	1488733	Retainer Ring	18	18-20	1188688	Pinion Yoke Spring (2 req)
1C	1C-FTHII30LWLC	1488819	L. C. Lens Wiper	9D	9D-FTHII30LW	1488734	Bearing Cover	18A	18A-20	1188714	Keyed Spring Washer
1D	1D-FTHII20LW	1488786	Gearbox Cover	10	10-FTHII30LW	1488735	Star Drag	19	19-FTHII30LW	1488741	Eccentric
1E	1E-FTHII30LWLC	1497823	Washer (2 req)	10A	10A-20	1188715	Star Click Retainer	20	20-FTHII30LW	1488742	Eccentric Spring
1F	1F-FTHII30LWLC	1488820	L. C. Lens Wiper Spring	10B	10B-20	1188710	Star Click Washer	21	21-FTHII20LW	1488792	Eccentric Lever
4	4-FTHII30LW	1488726	Drag Washer	10C	10C-525MAG2	1188712	Star Click Spring	21A	21A-FTHII30LW	1488744	Eccentric Washer
5	5-FTHII20LW	1488787	Main Gear	11	11-FTHII20LW	1488790	Eccentric Jack Assembly	22	22-20	1188690	Eccentric Screw
6	6-20	1188705	Tab Drag Washer (3 req)	11B	11B-FTHII20LWLC	1488802	Eccentric Jack Kick Lever	23	23-FTH20LW	1208117	Handle Assembly Screw
7	7-FTHII20LW	1488788	Keyed Metal Drag Washer (2 req)	11D	11D-FTHII30LWLC	1488822	Kick Lever Spring	23A	23A-20	1188717	Handle Lock Screw
7H	7H-FTHII20LW	1488789	Heavy Metal Drag Washer	12	12-FTHII30LW	1488737	Pinion Yoke	23B	23B-20	1207784	Handle Screw Washer
8	8-20	1188709	Spring Washer (2 req)	12A	12A-FTHII30LW	1488738	Yoke Post Bushing (2 req)	23L	23L-750	1191283	Screw
				12B	12B-FTHII30LW	1488739	Pinion Yoke Screw (2 req)	24	24-20	1188716	Handle Assembly



26	26-20	1188692	Bushing	26A	26A-FTHSD12	1242792	Washer (As Required)	26B	26B-FTHII30LW	1488746	Spool Tension Knob
26C	26C-20	1188693	Bushing	26D	26D-525MAG2	1125769	Spool Tension Click Spring	26E	26E-525MAG2	1125768	Spool Tension Ratchet Inner
26F	26F-525MAG2	1125768	Spool Tension Ratchet Inner	26G	26G-525MAG2	1125772	Spool Tension Ratchet Outer	26H	26H-TRQ40NLD2	1265023	Bearing
27	27-FTHII20LWLC	1488803	Left Side Plate Assembly	29	29-FTHII20LW	1488794	Spool Sub Assembly	29A	29A-20	1188680	Spool Shaft Pin
29L	29L-FTHII20LW	1488795	Spool Assembly	33	33-113	1182754	Rod Clamp	33C	33C-TRQ40	1229936	Rod Clamp Kit
34	34-45	1182788	Screw (2 req)	35	35-20	1188656	Click Tongue	36	36-FTHII30LW	1488750	Alarm Button
36A	36A-FTH20LW	1208113	Click Washer	36B	36B-20	1188651	Click PVC Washer	38	38-FTH15LD2	1309885	Screw (8 req)
38A	38A-20	1188649	Flat Washer (8 req)	40	40-FTHII30LW	1497821	Ball Bearing 4x10x4	40A	40A-20	1188663	Ball Bearing Retainer
40B	40B-20	1188662	Felt Washer	40C	40C-525MAG2	1208115	Washer, Metal Thrust	40D	40D-525MAG2	1125771	Washer, Rubber Thrust
40E	40E-20	1188660	Bronze Washer	42	42-FTHII30LW	1488751	Worm Shaft Assembly	42B	42B-FTHII30LW	1488752	L. C. Idler Gear
42C	42C-FTHII30LWLC	1488824	L. C. Idler Gear	43	43-FTHII30LW	1488753	Worm Shaft Bushing	46	46-FTHII20LW	1488796	Line Guide Assembly
46A	46A-FTHII30LW	1488755	Cover Plate Screw (2 req)	47	47-FTHII30LW	1488756	Line Guide Pawl	48	48-FTHII30LW	1488757	Line Guide Nut
50	50-FTHII30LW	1488758	Worm Shield	50B	50B-FTHII20LW	1488797	Level Wind Lock Plate	55	55-20	1188681	Ball Bearing 6x12x4
55A	55A-FTHII30LW	1497822	Ball Bearing 6x12x4	58	58-FTHII30LW	1488760	Line Guide Post	58A	58A-FTHII30LW	1488761	Line Guide Guard Post
60	60-20	1188670	Worm Shaft Washer	62	62-20	1188664	Click Spring	62A	62A-20	1188653	Click Spring Guard
62B	62B-20	1188665	Screw M2.6x7.5	62C	62C-20	1188654	Screw (5 req)	64	64-FTHII20LW	1488798	Idler Gear
64A	64A-40	1208073	Idler Gear	66	66-20	1188678	Spool Gear, Click Ratchet	69	69-SQL20LC	1308797	Retainer 2.5*6 (2 req)
69A	69A-20	1188657	Retainer 3x7	69B	69B-40	1208064	Retainer 5x10	69C	69C-20	1188677	Retainer "C" Ring
91A	91A-TRQ40NLD2	1277514	Handle Knob Washer	98	98-FTHII30LW	1488763	Main Gear Shaft	98B	98B-FTHII30LW	1488764	IAR Bearing
98R	98R-FTHII30LW	1488765	Ratchet	98S	98S-FTHII30LW	1488766	Gear Stud Bushing	98W	98W-FTHII30LW	1488767	Thrust Washer
120	120-113H	1184522	O-Ring	149	149-45	1184702	Nut, Rod Clamp (2 req)	149A	149-200	1184706	Nut, Hex (2 req)
183	183-FTHII20LW	1488799	Frame Assembly	303	303-FTHII20LWLC	1488804	Counter Wheel Assembly				