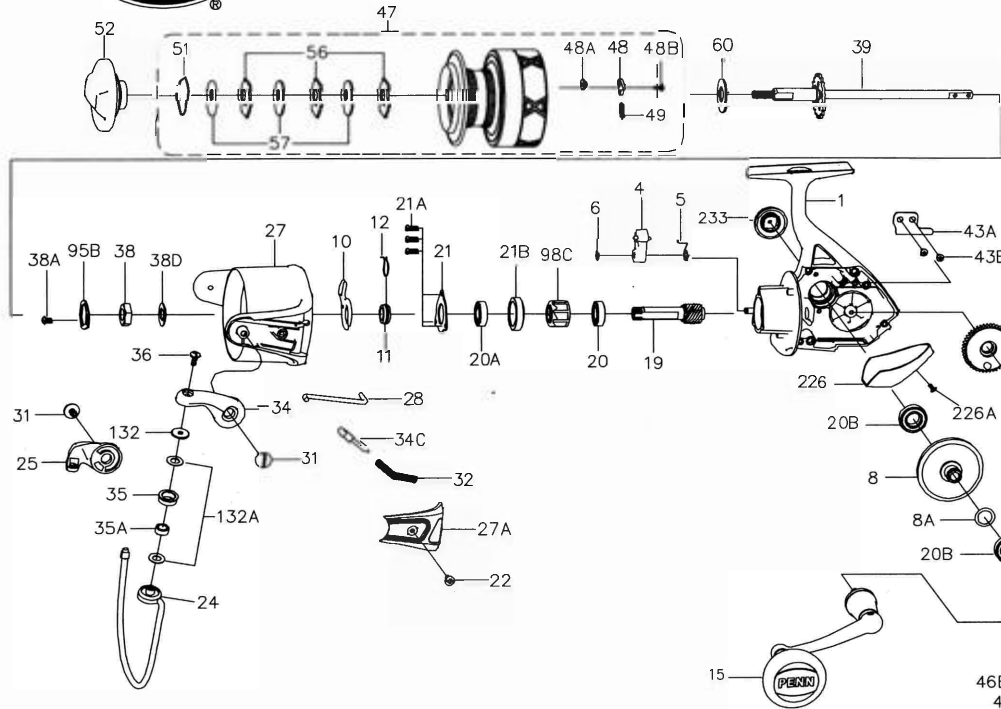




## PARTS LIST FOR MODEL FRCIV8000



KEY NO.	PART NO.	PENN STYLE NO.	DESCRIPTION
21A	1192645	21A-5000SG	Bearing Retainer Screw (3 req)
21B	1324209	21B-BTLII5000	Collar
22	1204018	22-6000PUR	Bail Pivot Cover Screw
24	1365754	24-FRCII8000	Bail Wire
25	1313870	25-CFT8000	Bail Holder
27	1524125	27-FRCIII8000	Rotor
27A	1365756	27A-FRCII8000	Bail Pivot Cover
28	1365757	28-FRCII8000	Trip Lever
31	1365758	31-FRCII8000	Bail Arm Screw (2 req)
32	1313874	32-CFT8000	Bail Spring
34	1313875	34-CFT8000	Bail Arm
34C	1191656	34C-7000SG	Pivot Arm
35	1313876	35-CFT8000	Line Roller
35A	1313877	35A-CFT8000	Line Roller Bushing
36	1191704	36-7000SG	Bail Stud Screw
38	1191731	38-7000SG	Rotor Nut
38A	1204016	21A-5000PUR	Rotor Nut Screw
38D	1308104	38D-CFT5000	Rotor Nut Washer
39	1338168	39-SGII8000	Main Shaft Assembly
43	1313879	43-CFT8000	Crosswind Block
43A	1191821	43A-7000SG	Crosswind Block Plate
43B	1191826	43B-3000SG	Crosswind Block Plate Screw(2 req)
44	1191845	44-5000SG	Crosswind Block Screw (2 req)
45	1514575	45-FRCIII8000	Housing Cover Assy
46	1191903	46-5000SG	Housing Cover Screw (4 req)
46B	1191908	46B-5000SG	Housing Cover Washer (4 req)
47	1577502	47-FRCIV8000	Spool Assembly
48	1211625	48-5000SG	Click Tongue
48A	1211626	48A-5000SG	Click Tongue Washer
48B	1192658	22-2000SG	Bail Pivot Cover Screw
49	1211627	49-5000SG	Click Tongue Spring
51	1308112	51-CFT5000	Drag Retaining Ring
52	1514327	52-FRCIII8000	Drag Knob Assembly
56	1313883	56-CFT8000	Drag Washer (3 req)
57	1211646	57-7000BTL	Keyed Washer (3 req)
60	1211629	60-5000BTL	Thrust Washer
95B	1308115	95B-CFT5000	Rotor Locking Plate
98C	1313884	98C-CFT8000	Clutch/Sleeve Assembly
132	1192298	132-7000SG	Roller Washer
132A	1192302	132A-3000SG	Line Roller Washer (2 req)
226	1313885	226-CFT8000	Rear Cover
226A	1192473	226A-3000SG	Rear Cover Screw
231	1313886	231-CFT8000	Crosswind Gear
231B	1313887	231B-CFT8000	Screw Crosswind Gear
231C	1313888	231C-CFT8000	Screw Crosswind Sleeve
233	1514320	233-FRCIII5000	Bearing Cover Assy

KEY NO.	PART NO.	PENN STYLE NO.	DESCRIPTION
1	1577501	1-FRCIV8000	Housing Assembly
4	1190939	4-7000SG	A/R Dog
5	1190966	5-5000SG	Dog Spring
6	1190979	6-5000SG	Retaining Clip
8	1313863	8-CFT8000	Main Gear
8A	1191031	8A-7000SG	Shim
10	1313864	10-CFT8000	A/R Holder
11	1191087	11-7000SG	Bushing
12	1313865	12-CFT8000	A/R Bushing Spring
15	1577500	15-FRCIV8000	Handle Assembly
19	1313868	19-CFT8000	Pinion Gear
20	1204012	20-5000PUR	Ball Bearing
20A	1308090	20-CFT5000	Upper Pinion Ball Bearing
20B	1204068	20B-7000PUR	Ball Bearing (2 req)
21	1192636	21-5000SG	Bearing Retainer

407-FRCIV8000 Rev.0 24-11-2021

1558714