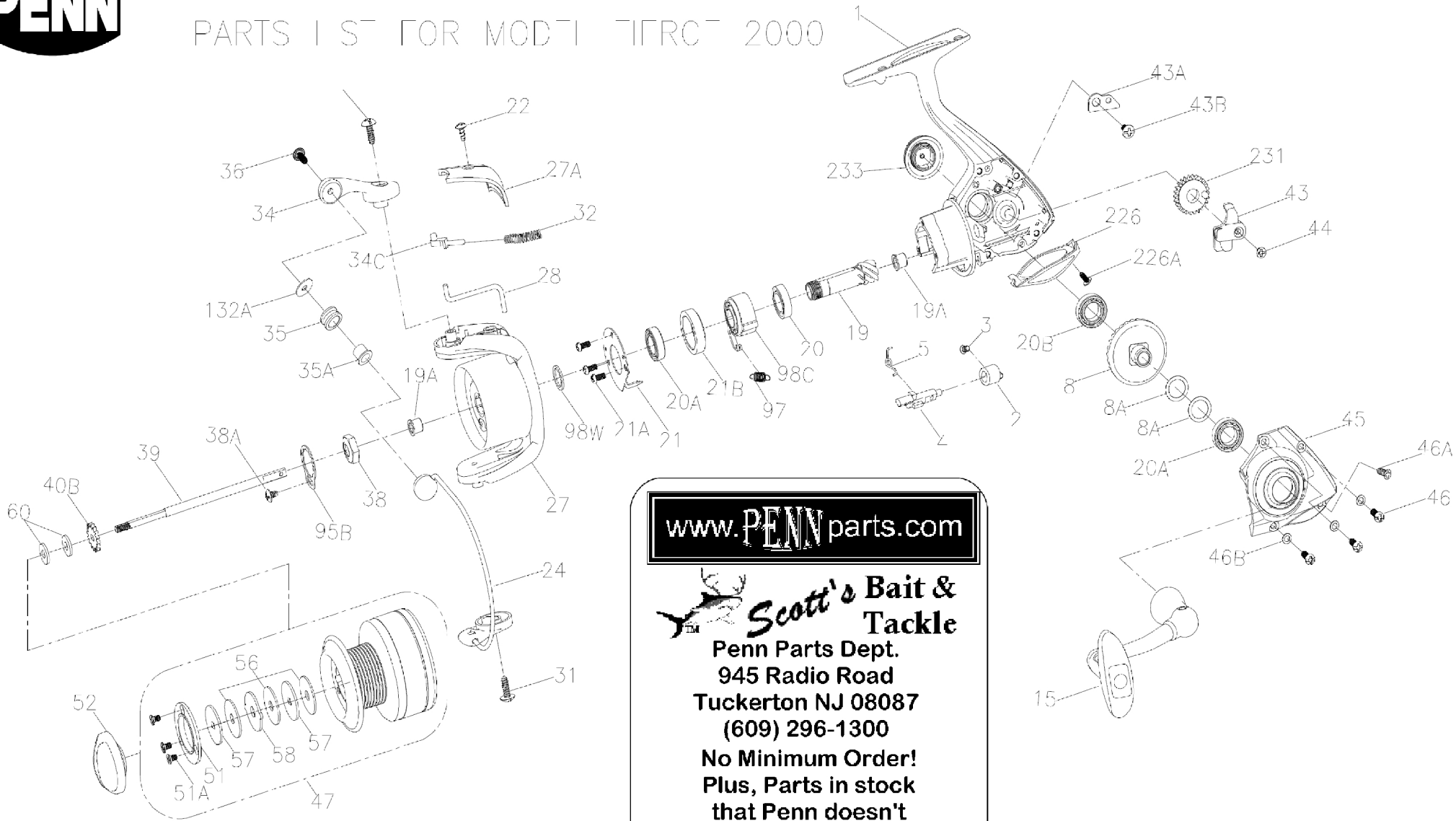





PARTS LIST FOR MODIFIED TRC 2000



www.PENNparts.com

 **Scott's Bait & Tackle**

Penn Parts Dept.
945 Radio Road
Tuckerton NJ 08087
(609) 296-1300

No Minimum Order!
Plus, Parts in stock
that Penn doesn't
carry anymore.

SBT Ver 102216
(based on Penn's Rev. 2 - 5/31/10)

Penn Reel Parts list for:

Model: FRC2000 Fierce Spinning Series

KEY NO	PUREFISHING NO.	PENN PART NO.	DESCRIPTION
1	1211651	1-2000FRC	HOUSING
2	1190889	2-2000SG	A/R LEVER
3	1190922	3-2000SG	A/R LEVER SCREW
4	1190935	4-2000SG	A/R SHAFT
5	1190960	5-2000SG	A/R SPRING
8	1191017	8-3000SG	MAIN GEAR ASSEMBLY
8A	1191028	8A-3000SG	MAIN GEAR SHIM
15	1211565	15-2000BTL	HANDLE ASSEMBLY
19	1191227	19-2000SG	PINION GEAR
19A	1191250	19A-2000SG	PINION BUSHING (2 REQUIRED)
20	1192610	20-2000SG	LOWER PINION BALL BEARING
20A	1203975	20C-3000PUR	BALL BEARING (2 REQUIRED)
20B	1203974	20B-3000PUR	HOUSING BALL BEARING
21	1192629	21-2000SG	BEARING RETAINER
21A	1192644	21A-3000SG	BEARING RETAINER SCREW (3 REQUIRED)
21B	1192656	21B-2000SG	COLLAR
22	1203978	22-3000PUR	BAIL PIVOT COVER SCREW
24	1211653	24-2000FRC	BAIL WIRE
27	1211654	27-2000FRC	ROTOR CUP
27A	1211655	27A-2000FRC	BAIL PIVOT COVER
28	1211656	28-2000FRC	TRIP LEVER
31	1211657	31-2000FRC	BAIL ARM SCREW (2 REQUIRED)
32	1191583	32-2000SG	BAIL SPRING
34	1211658	34-2000FRC	BAIL ARM
34C	1191648	34C-2000SG	PIVOT ARM
35	1211659	35-2000FRC	LINE ROLLER
35A	1211660	35A-2000FRC	LINE ROLLER BEARING
36	1192661	22-5000SG	LINE ROLLER SCREW
38	1191727	38-2000SG	ROTOR NUT

KEY NO	PUREFISHING NO.	PART NO.	DESCRIPTION
38A	1203995	38A-3000PUR	ROTOR LOCKING PLATE SCREW
39	1211661	39-2000FRC	SPOOL SHAFT
40B	1191778	40B-2000SG	CLICK RATCHET
43	1191797	43-2000SG	CROSSWIND BLOCK
43A	1191817	43A-2000SG	CROSSWIND BLOCK PLATE
43B	1191826	43B-3000SG	CROSSWIND BLOCK PLATE SCREW
44	1191843	44-3000SG	CROSSWIND BLOCK SCREW
45	1211662	45-2000FRC	HOUSING COVER
46	1191901	46-3000SG	HOUSING COVER SCREW (3 REQUIRED)
46A	1191906	46A-3000SG	HOUSING COVER SCREW A
46B	1191907	46B-3000SG	HOUSING COVER WASHER (3 REQUIRED)
47	1211663	47-2000FRC	SPOOL ASSEMBLY
51	1191975	51-2000SG	RETAINING SPACER
51A	1191986	51A-3000SG	RETAINING SCREW (3 REQUIRED)
52	1211664	52-2000FRC	DRAG KNOB
56*	1192033	56-2000SG	DRAG WASHER FELT (3 REQUIRED)
57	1192041	57-2000SG	KEYED DRAG WASHER (2 REQUIRED)
58	1192049	58-2000SG	EARRED DRAG WASHER
60	1192059	60-2000SG	THRUST WASHER
95B	1192185	95B-3000SG	ROTOR LOCKING PLATE
97	1192189	97-2000SG	CLUTCH SPRING
98C	1192211	98C-2000SG	CLUTCH/SLEEVE ASSEMBLY
98W	1192228	98W-2000SG	CLUTCH WASHER
132A	1211665	132A-2000FRC	LINE ROLLER WASHER
226	1211666	226-2000FRC	REAR COVER
226A	1192473	226A-3000SG	REAR COVER SCREW
231	1192496	231-2000SG	CROSSWIND GEAR
233	1211667	233-3000FRC	BEARING COVER

NOTE: Many of www.pennparts.com schematics include changes that were either made by Penn, or errors found and corrected by our parts dept.

SBT Ver. 102216 (based on Penn's Rev. 2 - 5/31/10)

56* OPTION: The 56-2000BTL HT100 washers can be used in place of the Felt Washers 56-2000SG