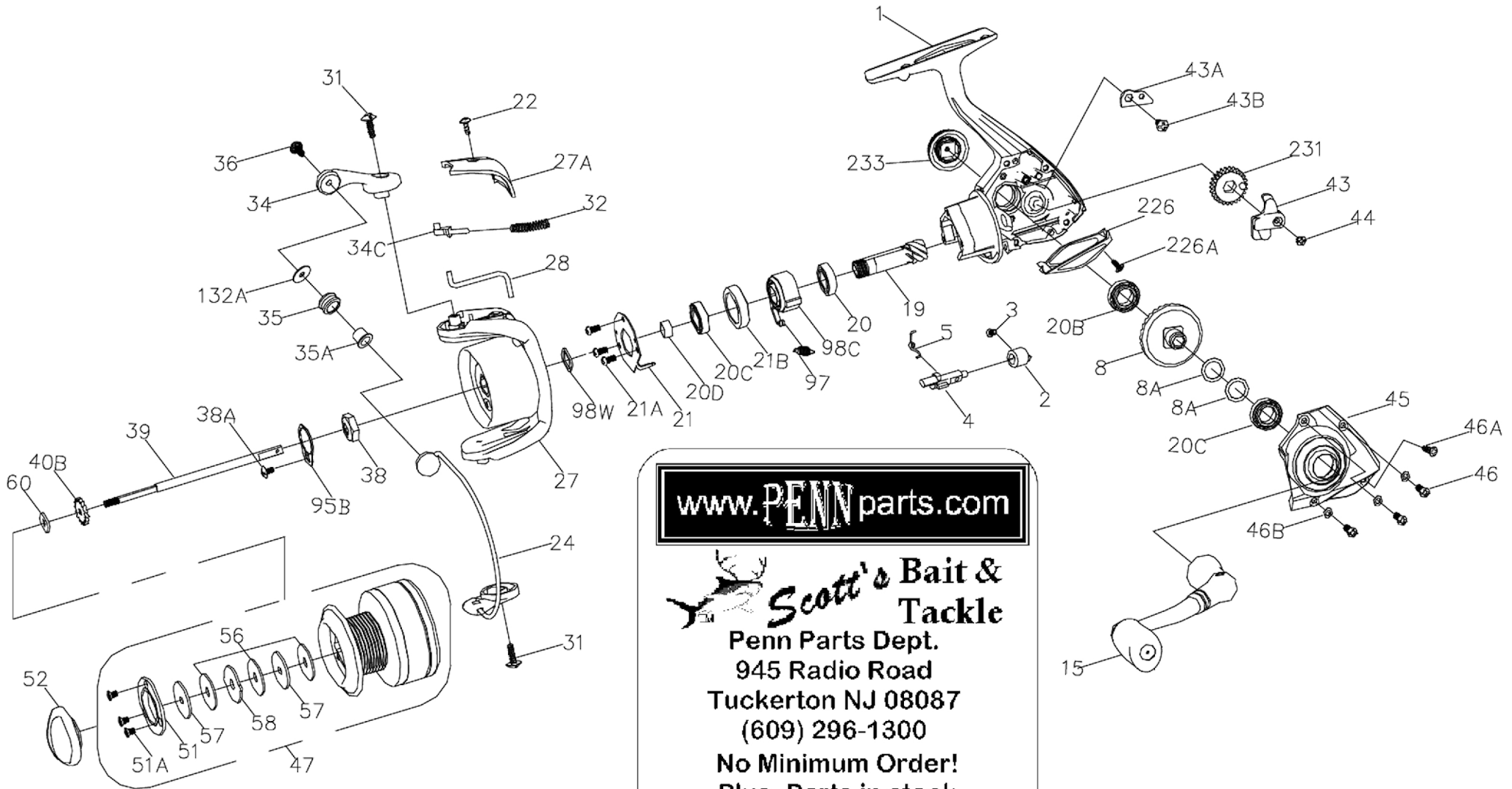




PARTS LIST FOR MODEL FIERCE 1000
REEL PART NO.1238654



Penn Reel Parts list for:

Model: FRC1000 Fierce Spinning Series

KEY NO	PUREFISHING NO.	PENN PART NO.	DESCRIPTION
1	1251756	1-1000FRC	HOUSING
2	1190889	2-2000SG	A/R LEVER
3	1190922	3-2000SG	A/R LEVER SCREW
4	1190935	4-2000SG	A/R SHAFT
5	1190960	5-2000SG	A/R SPRING
8	1207688	8-1000SG	MAIN GEAR ASSEMBLY
8A	1191028	8A-3000SG	MAIN GEAR SHIM
15	1249049	15-1000BTL	HANDLE ASSEMBLY
19	1207720	19-1000SG	PINION GEAR
20	1207721	20-1000SG	LOWER PINION BALL BEARING
20A	1192616	20A-2000SG	BALL BEARING (PINION & MAIN) (2 REQ.)
20B	1203974	20B-3000PUR	HOUSING BALL BEARING
20C	1203975	20C-3000PUR	BALL BEARING (2 REQ.)
20D	1251742	20D-1000BTL	BEARING SLEEVE
21	1192629	21-2000SG	BEARING RETAINER
21A	1207723	21A-1000SG	BEARING RETAINER SCREW (3 REQUIRED)
21B	1192656	21B-2000SG	COLLAR
22	1251743	22-1000FRC	BAIL ARM COVER SCREW
24	1251744	24-1000FRC	BAIL WIRE
27	1251745	27-1000FRC	ROTOR CUP
27A	1251746	27A-1000FRC	BAIL PIVOT COVER
28	1251747	28-1000FRC	TRIP LEVER
31	1211657	31-2000FRC	BAIL ARM SCREW
32	1191583	32-2000SG	BAIL SPRING
34	1211658	34-2000FRC	BAIL ARM
34C	1191648	34C-2000SG	PIVOT ARM
35	1211659	35-2000FRC	LINE ROLLER
35A	1211660	35A-2000FRC	LINE ROLLER BEARING
36	1251748	36-1000FRC	BAIL PIVOT COVER SCREW
38	1207727	38-1000SG	ROTOR NUT

KEY NO	PUREFISHING NO.	PART NO.	DESCRIPTION
38A	1203995	38A-3000PUR	ROTOR LOCKING PLATE SCREW
39	1207728	39-1000SG	SPOOL SHAFT
40B	1191778	40B-2000SG	CLICK RATCHET
43	1207729	43-1000SG	CROSSWIND BLOCK
43A	1207730	43A-1000SG	CROSSWIND BLOCK PLATE
43B	1191826	43B-3000SG	CROSSWIND BLOCK PLATE SCREW
44	1191843	44-3000SG	CROSSWIND BLOCK SCREW
45	1251749	45-1000FRC	HOUSING COVER
46	1251750	46-1000FRC	HOUSING COVER SCREW (3 REQUIRED)
46A	1191906	46A-3000SG	HOUSING COVER SCREW A
46B	1191907	46B-3000SG	HOUSING COVER WASHER (3 REQUIRED)
47	1251751	47-1000FRC	SPOOL ASSEMBLY
51	1191975	51-2000SG	RETAINING SPACER
51A	1191986	51A-3000SG	RETAINING SCREW (3 REQUIRED)
52	1251752	52-1000FRC	DRAG KNOB
56*	1192033	56-2000SG	DRAG WASHER FELT (3 REQUIRED)
57	1251753	57-1000FRC	KEYED DRAG WASHER (2 REQUIRED)
58	1192049	58-2000SG	EARRED DRAG WASHER
60	1192059	60-2000SG	THRUST WASHER
95B	1192185	95B-3000SG	ROTOR LOCKING PLATE
97	1192189	97-2000SG	CLUTCH SPRING
98C	1249047	98C-1000BTL	CLUTCH/SLEEVE ASSEMBLY
98W	1251754	98W-1000FRC	CLUTCH WASHER
132A	1211665	132A-2000FRC	LINE ROLLER WASHER
226	1251755	226-1000FRC	REAR COVER
226A	1192473	226A-3000SG	REAR COVER SCREW
231	1207737	231-1000SG	CROSSWIND GEAR
233	1211667	233-3000FRC	BEARING COVER

NOTE: Many of www.pennparts.com schematics include changes that were either made by Penn, or errors found and corrected by our parts dept.
 SBT Ver. 102216 (based on Penn's 407-1000FRC Rev. 1 - 5/23/11)

56* OPTION: The 56-2000BTL HT100 washers can be used in place of the Felt Washers 56-2000SG