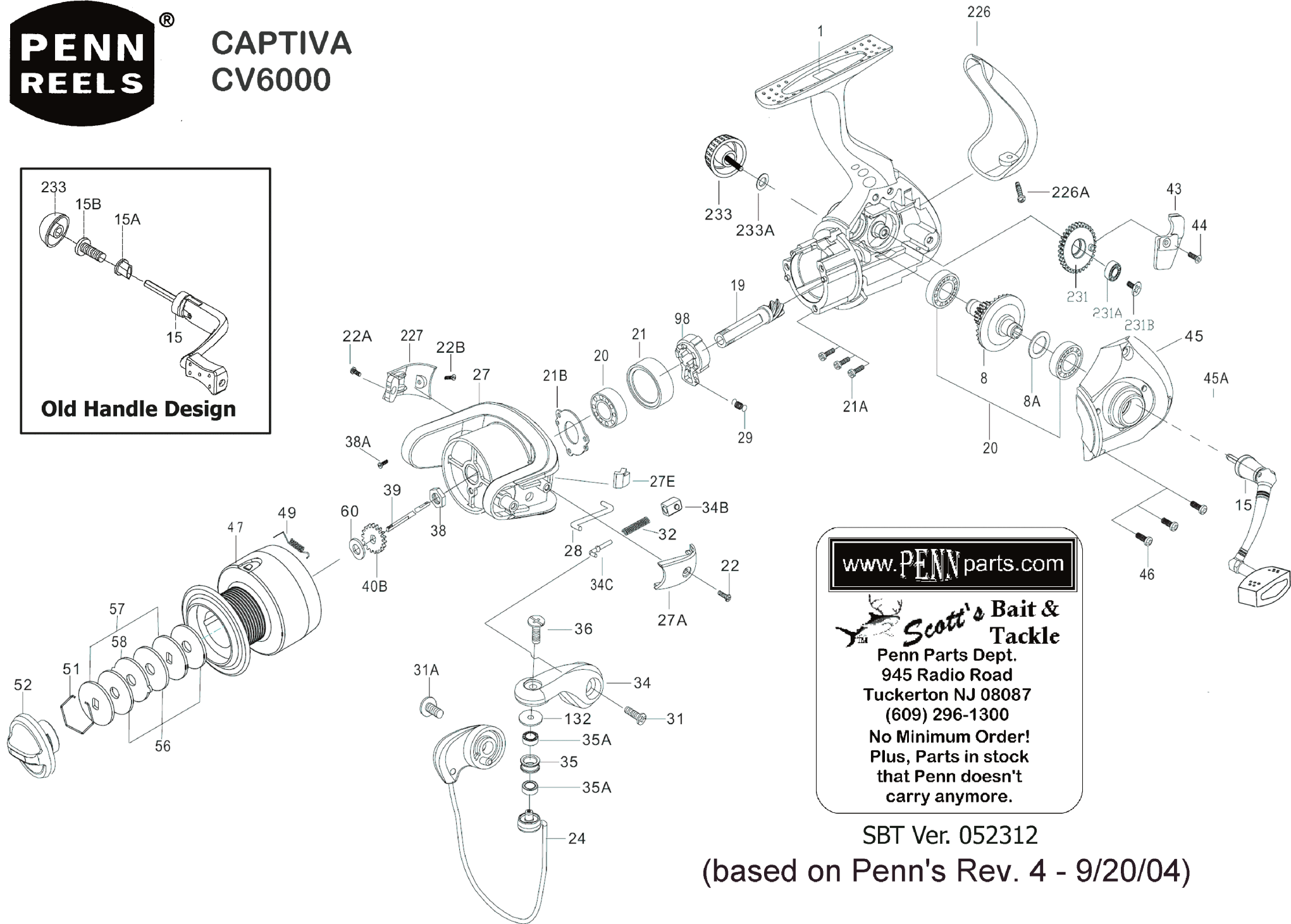
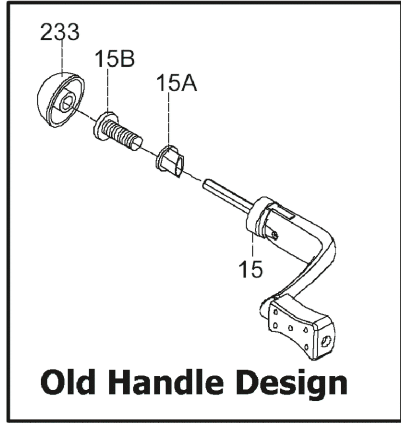




CAPTIVA CV6000



www.PENNparts.com

Scott's Bait & Tackle
 Penn Parts Dept.
 945 Radio Road
 Tuckerton NJ 08087
 (609) 296-1300
 No Minimum Order!
 Plus, Parts in stock
 that Penn doesn't
 carry anymore.

SBT Ver. 052312

(based on Penn's Rev. 4 - 9/20/04)

Penn Reel Parts list for:

Model: CV6000 Captiva

KEY PART			KEY PART		
NO	NO.	DESCRIPTION	NO	NO.	DESCRIPTION
1	1-5000CV	HOUSING	38	38-5000CV	ROTOR NUT (****reverse threads****)
8	8-6000CV	MAIN GEAR ASSEMBLY	38A	38A-2000CV	ROTOR NUT SCREW
8A	8A-6000CV	MAIN GEAR SHIM	39	39-6000CV	SPOOL SHAFT
19	19-6000CV	PINION GEAR	40B	40B-500CV	CLICK RATCHET
20	20-6000CV	HOUSING BALL BEARING	43	43-6000CV	CROSSWIND BLOCK
20A	20A-6000CV	HOUSING COVER BALL BEARING	44	44-6000CV	CROSSWIND BLOCK SCREW
20B	20B-6000CV	PINION BALL BEARING (2 REQUIRED)	45	45-6000CV	HOUSING COVER
21	21-6000CV	COLLAR	46	46-6000CV	HOUSING COVER SCREW (4 REQUIRED)
21A	21A-2000CV	BEARING MOUNTING SCREW (3 REQUIRED)	47	47-6000CV	SPOOL ASSEMBLY
22	22-6000CV	COVER SCREW (2 REQUIRED)	47A	47A-5000CV	SPOOL BALL BEARING (2 REQUIRED)
24	24-6000CV	BAIL WIRE	49	49-6000CV	SPOOL CLICK SPRING
27	27-6000CV	ROTOR CUP	51	51-2000CV	RETAINING RING
27A	27A-6000CV	BAIL PIVOT COVER	52	52-5000CLL	DRAG KNOB
27E	27E-6000CV	BALANCE WEIGHT	56	56-2000CV	FRICITION DRAG WASHER (3 REQUIRED)
27F	27F-2000CV	BALANCE WEIGHT SCREW	57	57-2000CV	KEYED WASHER (2 REQUIRED)
28	28-6000CV	TRIP LEVER	58	58-2000CV	EARED DRAG WASHER
29	29-5000CV	SPRING	60	60-6000CV	THRUST WASHER
31	31-2000CV	BAIL ARM SCREW	60A	60A-6000CV	'O' RING
31A	31A-2000CV	BAIL WIRE SCREW	60B	60B-6000CV	SPOOL SHAFT BUSHING
32	32-4000CV	BAIL SPRING	98	98-6000CV	CLUTCH RETAINER
34	34-5000CV	BAIL ARM	132	132-6000CV	ROLLER WASHER
34B	34B-4000CV	PIVOT GUIDE	226	226-6000CV	REAR CAP
34C	34C-6000CV	PIVOT ARM	226A	226A-6000CV	REAR CAP SCREW
35	35-6000CV	LINE ROLLER	227	227-6000CV	CAM COVER
35A	35A-6000CV	LINE ROLLER BALL BEARING (2 REQUIRED)	231	231-6000CV	CROSSWIND GEAR
36	36-6000CV	BAIL STUD SCREW	231A	231A-6000CV	CROSSWIND GEAR BALL BEARING
			231B	231B-6000CV	BALL BEARING SCREW

NOTE: Many of www.pennparts.com schematics include changes that were either made by Penn, or errors found and corrected by our parts dept.
 SBT Ver. 052312 (based on Penn's Rev. 4 - 9/20/04)

DESIGN CHANGE: Old Handle setup

Key NO	Part NO./Description
15	15-6000CV Handle
15A	15A-6000CV Handle Bushing
15B	15B-6000CV Handle Screw
233	233-2000CV Bearing Cover

New Handle setup

Key NO	Part NO./Description
15	15N-6000CV Handle
15A	15A-6000CV Bushing
233A	233A-2000CV Handle Washer
233	233N-2000CV Bearing Cover w/attached screw **

**The newer bearing cover will work just fine with the old style handle