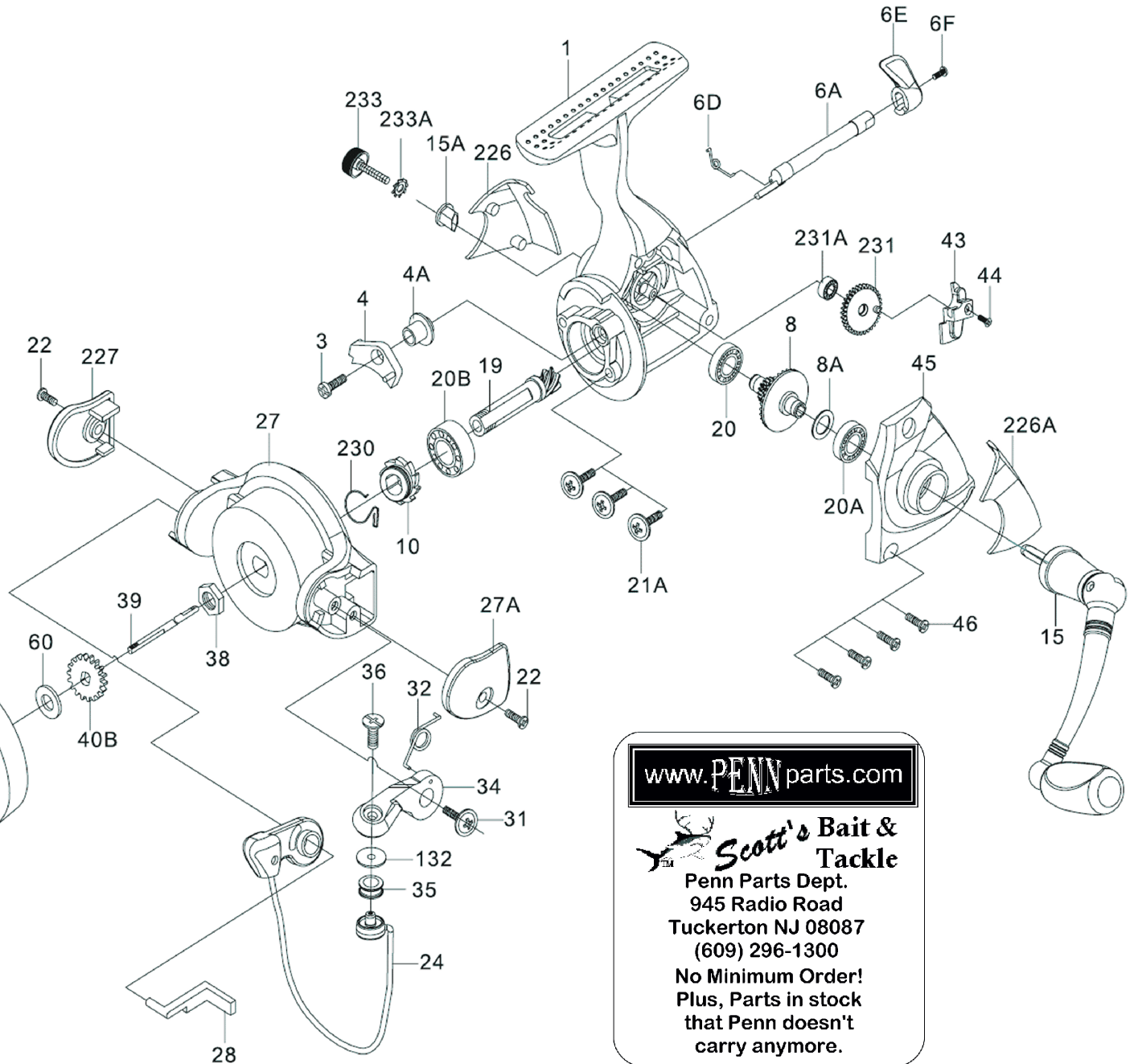
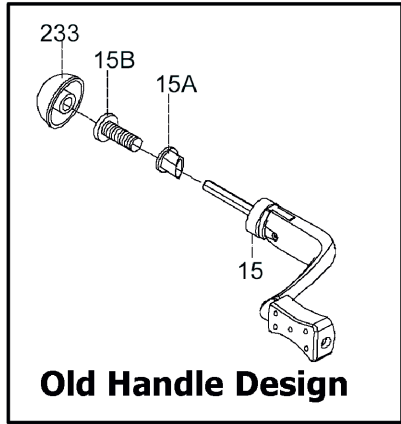




CAPTIVA CV500



www.PENNparts.com

Scott's Bait & Tackle
Penn Parts Dept.
945 Radio Road
Tuckerton NJ 08087
(609) 296-1300
No Minimum Order!
Plus, Parts in stock
that Penn doesn't
carry anymore.

SBT Ver. 092907
(based on Penn's Rev.4 9/20/04)

Penn Reel Parts list for:

Model: CV500 Captiva

KEY PART			KEY PART		
NO	NO.	DESCRIPTION	NO	NO.	DESCRIPTION
1	1-500CV	HOUSING	34	34-500CV	BAIL ARM
3	3-500CV	DOG MOUNTING SCREW	35	35-500CV	LINE ROLLER
4	4-500CV	ANTI-REVERSE DOG	36	36-500CV	BAIL STUD SCREW
4A	4A-500CV	ANTI-REVERSE DOG COLLAR	38	38-500CV	ROTOR NUT (****reverse threads****)
6A	6A-500CV	ECCENTRIC	39	39-500CV	SPOOL SHAFT
6D	6D-500CV	ECCENTRIC SPRING	40B	40B-500CV	CLICK RATCHET
6E	6E-500CV	ECCENTRIC LEVER	43	43-500CV	CROSSWIND BLOCK
6F	6F-500CV	ECCENTRIC LEVER MOUNTING SCREW	44	44-500CV	CROSSWIND BLOCK SCREW
8	8-500CV	MAIN GEAR ASSEMBLY	45	45-500CV	HOUSING COVER
8A	8A-500CV	MAIN GEAR SHIM	46	46-500CV	HOUSING COVER SCREWS (4 REQ.)
10	10-500CV	ANTI-REVERSE RATCHET	47	47-500CV	SPOOL ASSEMBLY
19	19-500CV	PINION GEAR	51	51-500CV	RETAINING RING
20	20-500CV	HOUSING BALL BEARING	52	52-500CV	DRAG KNOB
20A	20A-500CV	HOUSING COVER BALL BEARING	56	56-500CV	FRICTION DRAG WASHER (3 REQ.)
20B	20B-500CV	PINION BALL BEARING	57	57-500CV	KEYED WASHER (2 REQ.)
21A	21A-500CV	BEARING MOUNTING SCREW (3 REQ.)	58	58-500CV	EARED DRAG WASHER
22	22-500CV	COVER SCREW (2 REQ.)	60	60-500CV	THRUST WASHER
24	24-500CV	BAIL WIRE	132	132-500CV	ROLLER WASHER
27	27-500CV	ROTOR CUP	226	226-500CV	RIGHT SIDE REAR CAP
27A	27A-500CV	BAIL PIVOT COVER	226A	226A-500CV	LEFT SIDE REAR CAP
28	28-500CV	TRIP LEVER	227	227-500CV	CAM COVER
31	31-500CV	BAIL ARM SCREW	230	230-500CV	SILENT DOG SPRING
32	32-500CV	BAIL ARM SPRING	231	231-500CV	CROSSWIND GEAR
			231A	231A-500CV	CROSSWIND GEAR BALL BEARING

NOTE: Many of www.pennparts.com schematics include changes that were either made by Penn, or errors found and corrected by our parts dept.
SBT Ver. 092907 (based on Penn's Rev. 4 - 9/20/04)

DESIGN CHANGE: Old Handle setup

Key NO	Part NO./Description
15	15-500CV Handle
15A	15A-500CV Handle Bushing
15B	15B-500CV Handle Screw
233	233-500CV Bearing Cover

New Handle setup

Key NO	Part NO./Description
15	15N-500CV Handle
15A	15A-500CV Bushing
233A	233A-500CV Handle Washer
233	233N-500CV Bearing Cover w/attached screw **

**The newer bearing cover will work just fine with the old style handle