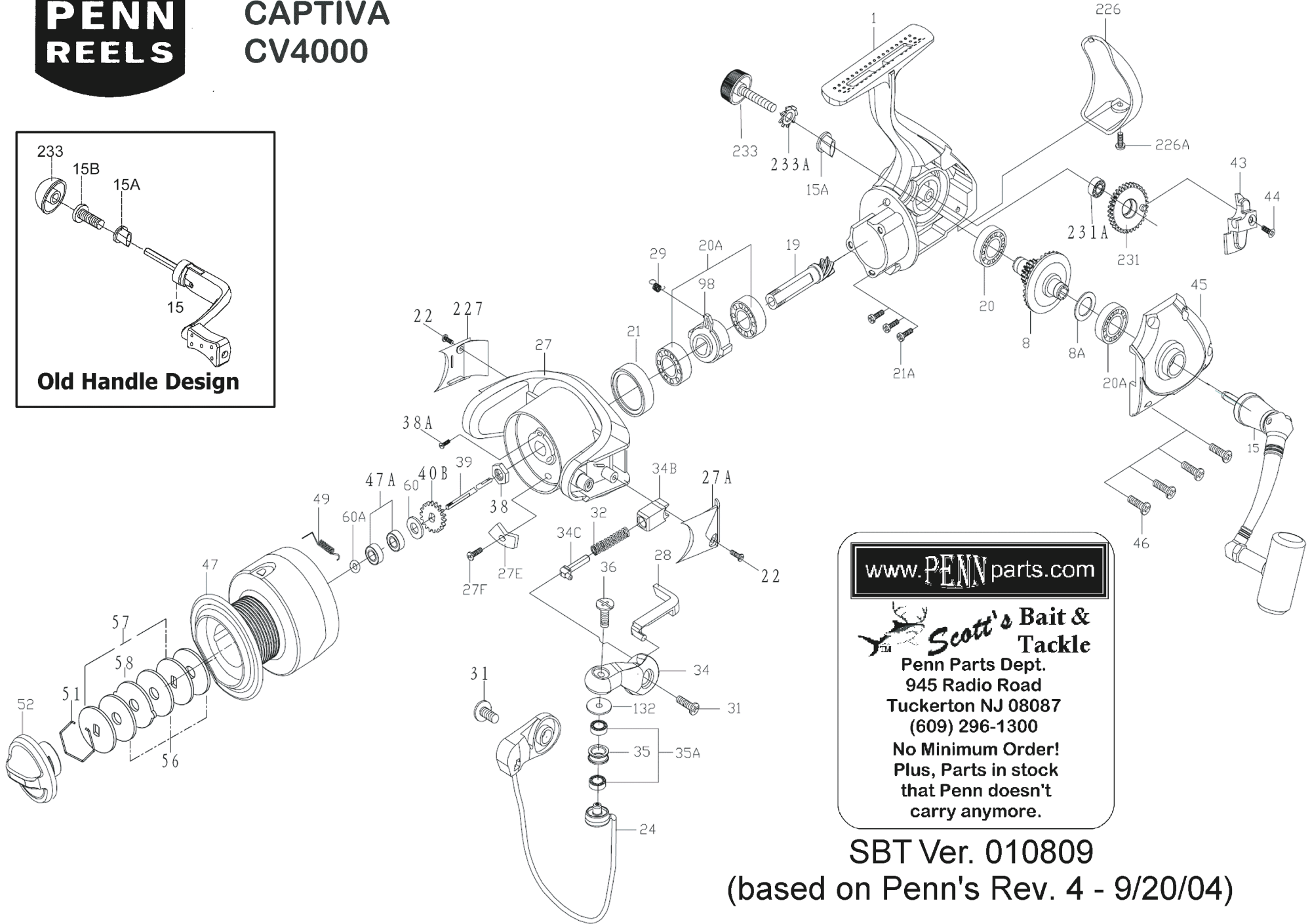
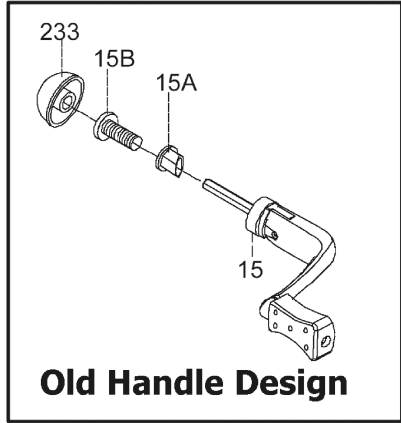




CAPTIVA CV4000



www.PENNparts.com

Scott's Bait & Tackle
 Penn Parts Dept.
 945 Radio Road
 Tuckerton NJ 08087
 (609) 296-1300
 No Minimum Order!
 Plus, Parts in stock
 that Penn doesn't
 carry anymore.

SBT Ver. 010809
(based on Penn's Rev. 4 - 9/20/04)

Penn Reel Parts list for:

Model: CV4000 Captiva

KEY NO	PART NO.	DESCRIPTION	KEY NO	PART NO.	DESCRIPTION
1	1-4000CV	HOUSING	38A	38A-2000CV	ROTOR NUT SCREW
8	8-4000CV	MAIN GEAR ASSEMBLY	39	39-4000CV	SPOOL SHAFT
8A	8A-500CV	MAIN GEAR SHIM	40B	40B-2000CV	CLICK RATCHET
19	19-4000CV	PINION GEAR	43	43-4000CV	CROSSWIND BLOCK
20	20-500CV	HOUSING BALL BEARING	44	44-4000CV	CROSSWIND BLOCK SCREW
20A	20A-500CV	BALL BEARING (3 REQUIRED)	45	45-4000CV	HOUSING COVER
21	21-4000CV	COLLAR	46	46-4000CV	HOUSING COVER SCREW (4 REQUIRED)
21A	21A-2000CV	BEARING MOUNTING SCREW (3 REQUIRED)	47	47-4000CV	SPOOL ASSEMBLY
22	22-500CV	COVER SCREW (2 REQUIRED)	47A	47A-2000CV	SPOOL BALL BEARING (2 REQUIRED)
24	24-4000CV	BAIL WIRE	49	49-4000CV	SPOOL CLICK SPRING
27	27-4000CV	ROTOR CUP	51	51-2000CV	RETAINING RING
27A	27A-4000CV	BAIL PIVOT COVER	52	52-2000CV	DRAG KNOB
27E	27E-4000CV	BALANCE WEIGHT	56	56-2000CV	FRICITION DRAG WASHER (3 REQUIRED)
27F	27F-2000CV	BALANCE WEIGHT SCREW	57	57-2000CV	KEYED WASHER (2 REQUIRED)
28	28-4000CV	TRIP LEVER	58	58-2000CV	EARED DRAG WASHER
29	29-4000CV	SPRING	60	60-4000CV	THRUST WASHER
31	31-2000CV	BAIL SCREW (2 REQUIRED)	60A	60A-4000CV	'O' RING
32	32-2000CV	BAIL SPRING	98	98-4000CV	CLUTCH RETAINER
34	34-4000CV	BAIL ARM	132	132-2000CV	ROLLER WASHER
34B	34B-4000CV	PIVOT GUIDE	226	226-4000CV	REAR CAP
34C	34C-4000CV	PIVOT ARM	226A	226A-4000CV	REAR CAP SCREW
35	35-4000CV	LINE ROLLER	227	227-4000CV	CAM COVER
35A	35A-4000CV	LINE ROLLER BALL BEARING (2 REQUIRED)	231	231-4000CV	CROSSWIND GEAR
36	36-4000CV	BAIL STUD SCREW	231A	231A-4000CV	CROSSWIND GEAR BALL BEARING
38	38-2000CV	ROTOR NUT (****reverse threads****)			

NOTE: Many of www.pennparts.com schematics include changes that were either made by Penn, or errors found and corrected by our parts dept.
SBT Ver. 010809 (based on Penn's Rev. 4 - 9/20/04)

DESIGN CHANGE: Old Handle setup

Key NO	Part NO./Description
15	15-4000CV Handle
15A	15A-500CV Handle Bushing
15B	15B-500CV Handle Screw
233	233-2000CV Bearing Cover

New Handle setup

Key NO	Part NO./Description
15	15N-4000CV Handle
15A	15A-500CV Bushing
233A	233A-2000CV Handle Washer
233	233N-2000CV Bearing Cover w/attached screw **

**The newer bearing cover will work just fine with the old style handle

BEARING ISSUES:

On Penn's schematic it listed the pinion bearings as 20B-500CV
That bearing does not fit on the pinions, the correct number is 20A-500CV