

www.PENNparts.com

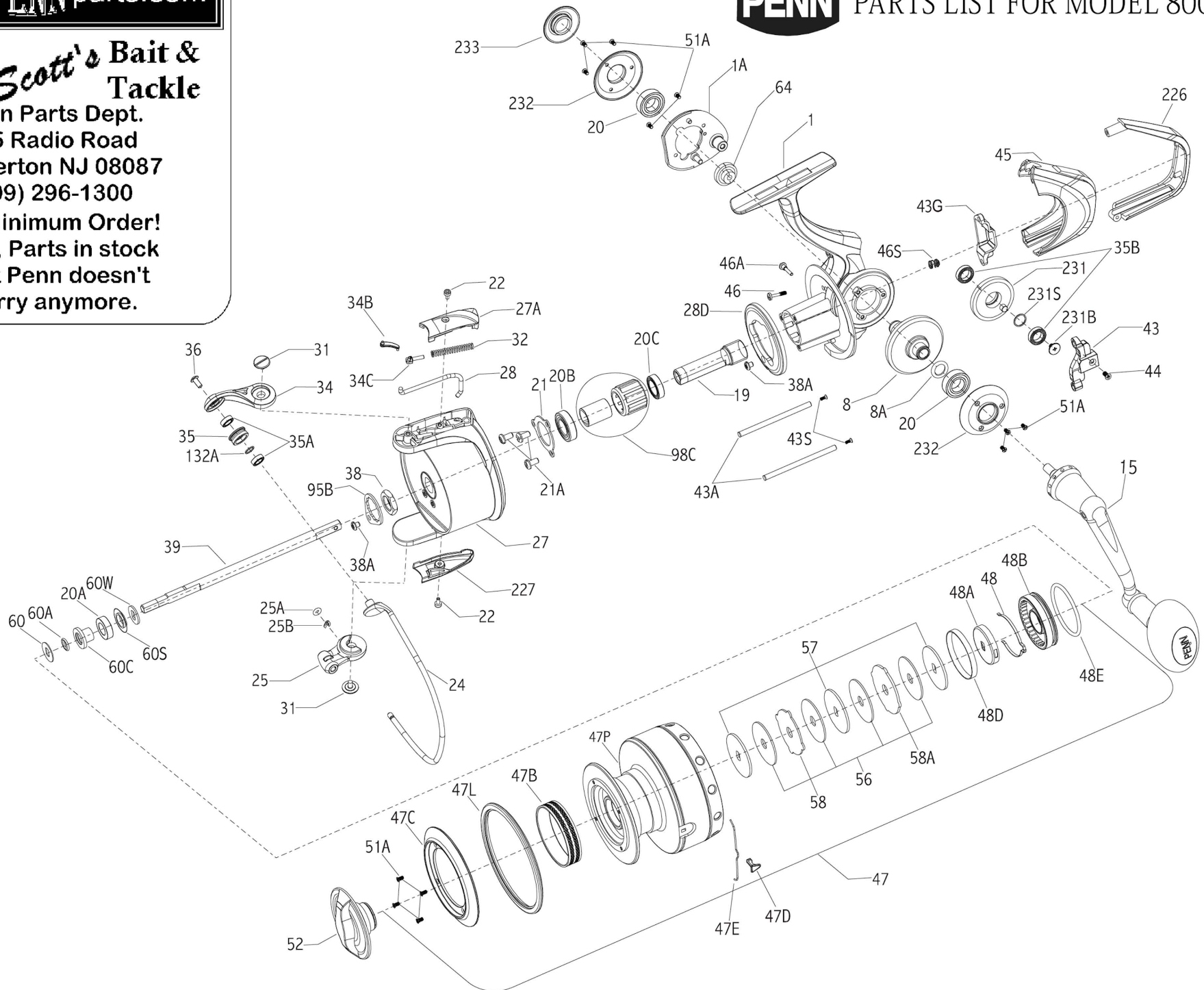
**Scott's Bait & Tackle**

Penn Parts Dept.  
945 Radio Road  
Tuckerton NJ 08087  
(609) 296-1300

No Minimum Order!  
Plus, Parts in stock  
that Penn doesn't  
carry anymore.

**PENN**<sup>®</sup>

PARTS LIST FOR MODEL 8000CQ



Penn Reel Parts list for:

Model: 8000CQ (also known as CQR8000) Conquer

KEY	PART	DESCRIPTION	KEY	PART	DESCRIPTION
NO	NO.		NO	NO.	
1	1-8000CQ	HOUSING	45	45-8000CQ	MAINTENANCE HATCH
1A	1A-8000CQ	HOUSING PLATE	46	46-2000CQ	SCREW
8	8-8000CQ	MAIN GEAR	46A	46A-7000CQ	SCREW
8A	8A-7000CQ	SHIM	46S	46S-2000CQ	SPRING
15	15-8000CQ	HANDLE ASSEMBLY	47	47-8000CQ	SPOOL ASSEMBLY
19	19-760	PINION	47P	47P-8000CQ	SPOOL (ONLY)
20	20-6500	BALL BEARING (USES 2)	47B	47B-7000CQ	SPOOL BAND
20A	20A-5000CQ	BALL BEARING (USES 2)	47C	47C-8000CQ	SPOOL LIP COVER
20B	20B-8000CQ	BALL BEARING	47D	47D-2000CQ	LINE CLIP
20C	20C-8000CQ	BALL BEARING	47E	47E-8000CQ	LINE CLIP SPRING
21	21-760	BEARING RETAINER	47L	47L-8000CQ	SPOOL LIP
21A	21A-2000CQ	SCREW (USES 3)	48	48-7000CQ	SPOOL CLICK
21B	21B-8000CQ	COLLAR	48A	48A-8000CQ	SPOOL CLICK RETAINER
22	22-2000CQ	SCREW (USES 2)	48B	48B-7000CQ	SPOOL CLICK HOUSING
24	24-8000CQ	BAIL WIRE	48D	48D-7000CQ	SPACER RING
25	25-8000CQ	BAIL CAM	48E	48E-7000CQ	O-RING
25A	25A-2000CQ	O-RING	51A	51A-2000CQ	SCREW (12 REQUIRED)
25B	25B-2000CQ	CLIP	52	52-8000CQ	DRAG KNOB ASSEMBLY
27	27-8000CQ	ROTOR	56	56-8000CQ	DRAG WASER HT-100 (4 REQUIRED)
27A	27A-8000CQ	BAIL PIVOT COVER	57	57-8000CQ	KEYED WASHER (3 REQUIRED)
28	28-8000CQ	TRIP LEVER	58	58-8000CQ	EARRED WASHER
28D	28D-8000CQ	FRICTION RING	58A	58A-8000CQ	EARRED WASHER
31	31-2000CQ	SCREW (USES 2)	60	60-8000CQ	SPACER WASHER
32	32-8000CQ	BAIL SPRING	60A	60A-8000CQ	O-RING
34	34-8000CQ	BAIL ARM	60C	60C-8000CQ	BEARING SLEEVE
34B	34B-5000CQ	PIVOT LEVER	60S	60S-7000CQ	SEAL
34C	34C-2000CQ	PIVOT ARM	60W	60W-8000CQ	SPOOL SHAFT WASHER
35	35-5000CQ	LINE ROLLER	64	64-8000CQ	IDLER GEAR
35A	35A-2000CQ	BALL BEARING (USES 2)	95B	95B-950M	ROTOR LOCKING PLATE
35B	35B-8000CQ	BALL BEARING (USES 2)	98C	98C-760	CLUTCH/SLEEVE ASSEMBLY
36	36-2000CQ	SCREW, LINE ROLLER	132A	132A-2000CQ	SPACER (2 REQUIRED)
38	38-9500	ROTOR NUT	226	226-8000CQ	REAR COVER
38A	63A-2.5FR	SCREW, F/LOCKING PLATE AND FRICTION RING (USES 2)	227	227-8000CQ	CAM COVER
39	39-8000CQ	SPOOL SHAFT	231	231-8000CQ	CROSSWIND GEAR
43	43-8000CQ	CROSSWIND BLOCK	231B	231B-8000CQ	CROSSWIND GEAR SCREW
43A	43A-8000CQ	CROSSWIND BLOCK PIN (2 REQUIRED)	231S	231S-8000	SPACER
43G	43G-8000CQ	PIN GUIDE BLOCK	232	232-8000CQ	BEARING RETAINER (2 REQUIRED)
43S	43S-8000CQ	SCREW, F/BLOCK PINS (USES 2)	233	233-8000CQ	BEARING COVER
44	44-2000CQ	SCREW, CROSSWIND BLOCK			

NOTE: Many of www.pennparts.com schematics include changes that were either made by Penn, or errors found and corrected by our parts dept.  
SBT Ver. 020410

It is likely that Penn will only sell the 47-8000CQ spool assembly rather than the 47P bare spool.