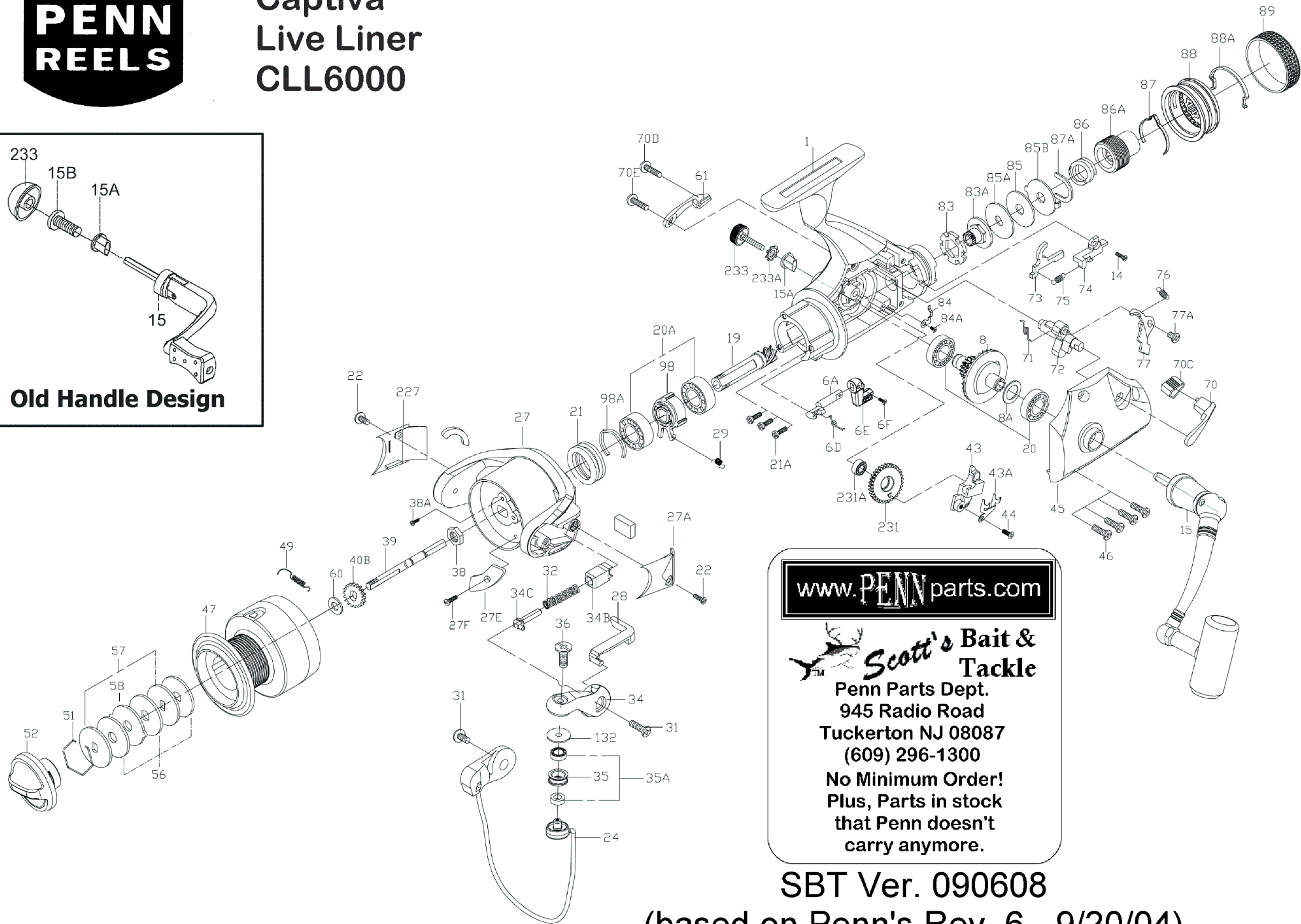
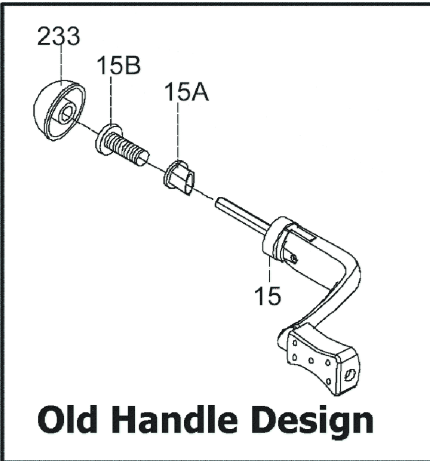


Captiva Live Liner CLL6000



www.PENNparts.com

Scott's Bait & Tackle

Penn Parts Dept.
945 Radio Road
Tuckerton NJ 08087
(609) 296-1300

No Minimum Order!
Plus, Parts in stock
that Penn doesn't
carry anymore.

SBT Ver. 090608
(based on Penn's Rev. 6 - 9/20/04)

Penn Reel Parts list for Model: CLL6000 Captiva

KEY	PART	DESCRIPTION	KEY	PART	DESCRIPTION
NO	NO.		NO	NO.	
1	1-6000CLL	HOUSING	47	47-6000CLL	SPOOL ASSEMBLY
6A	6A-5000CLL	ECCENTRIC	49	49-6000CLL	CLICK SPRING
6D	6D-5000CLL	ECCENTRIC SPRING	51	51-2000CV	RETAINING RING
6E	6E-5000CLL	ECCENTRIC LEVER	52	52-5000CLL	DRAG KNOB
6F	6F-5000CLL	ECCENTRIC LEVER MOUNTING SCREW	56	56-2000CV	FRICITION DRAG WASHER (3 REQUIRED)
8	8-6000CLL	MAIN GEAR ASSEMBLY	57	57-5000CV	KEYED WASHER (2 REQUIRED)
8A	8A-6000CLL	MAIN GEAR SHIM	58	58-2000CV	EARED DRAG WASHER
14	14-5000CLL	SCREW	60	60-6000CLL	THRUST WASHER
19	19-6000CLL	PINION GEAR	70	70A-4000CLL	LEFT SIDE LIVELINER ECCENTRIC LEVE
20	20-6000CLL	HOUSING BALL BEARING (2 REQUIRED)	70B	70B-4000CLL	RIGHT SIDE LIVELINER ECCENTRIC LEV
20A	20A-6000CLL	PINION BALL BEARING (2 REQUIRED)	70C	70C-4000CLL	MID LIVELINER ECCENTRIC LEVER
21	21-6000CV	COLLAR	70D	70D-4000CLL	ECCENTRIC LEVER SCREW
21A	21A-2000CV	BEARING MOUNTING SCREW (3 REQUIREI	70E	70E-4000CLL	ECCENTRIC LEVER SCREW
22	22-6000CLL	COVER SCREW (2 REQUIRED)	71	71-5000CLL	LIVELINER ECCENTRIC SPRING
24	24-6000CLL	BAIL WIRE	72	72-5000CLL	LIVELINER ECCENTRIC LEVER
27	27-6000CLL	ROTOR CUP	73	73-5000CLL	LIVELINER DOG
27A	27A-6000CV	BAIL PIVOT COVER	74	74-5000CLL	LIVELINER PLATE
27E	27E-6000CV	BALANCE WEIGHT	75	75-4000CLL	DOG SPRING
27F	27F-2000CV	BALANCE WEIGHT SCREW	76	76-5000CLL	TRIP SPRING
28	28-6000CV	TRIP LEVER	77	77-4000CLL	ECCENTRIC TRIP
29	29-5000CV	SPRING	77A	77A-4000CLL	ECCENTRIC TRIP SCREW
31	31-2000CV	BAIL SCREW (2 REQUIRED)	83	83-5000CLL	REAR DRAG RATCHET
32	32-4000CV	BAIL SPRING	83A	83A-5000CLL	REAR RATCHET INSERT
34	34-5000CV	BAIL ARM	84	84-5000CLL	REAR DRAG CLICK SPRING
34B	34B-4000CV	PIVOT GUIDE	84A	84A-5000CLL	CLICK SPRING SCREW
34C	34C-6000CLL	PIVOT ARM	85	85-5000CLL	REAR DRAG WASHER
35	35-6000CLL	LINE ROLLER	85A	85A-5000CLL	REAR KEYED WASHER
35A	35A-6000CLL	LINE ROLLER BALL BEARING (2 REQUIREI	85B	85B-5000CLL	REAR EARED WASHER
36	36-6000CLL	BAIL STUD SCREW	86	86-5000CLL	REAR DRAG SPRING
38	38-5000CV	ROTOR NUT	86A	86A-5000CLL	REAR DRAG NUT
38A	38A-2000CV	ROTOR NUT SCREW	87	87-5000CLL	REAR CLICK SPRING
39	39-6000CLL	SPOOL SHAFT	87A	87A-5000CLL	REAR DRAG RETAINER
40B	40B-5000CV	CLICK RATCHET	88	88-5000CLL	REAR DRAG KNOB
43	43-6000CLL	CROSSWIND BLOCK	88A	88A-5000CLL	REAR DRAG KNOB RETAINER
43A	43A-5000CLL	SPOOL SHAFT CLIP	89	89-5000CLL	REAR DRAG KNOB GRIP
44	44-6000CLL	CROSSWIND BLOCK SCREW	98	98-6000CLL	CLUTCH RETAINER
45	45-6000CLL	HOUSING COVER	98A	98A-5000CLL	CLUTCH CLIP
46	46-6000CLL	LINE ROLLER BALL BEARING (2 REQ.)	132	132-6000CLL	LINE ROLLER WASHER
			227	227-5000CV	CAM COVER
			231	231-5000CLL	CROSSWIND GEAR
			231A	20-500CV	CROSSWIND GEAR BALL BEARING

NOTE: Many of www.pennparts.com schematics include changes that were either made by Penn, or errors found and corrected by our parts dept.
SBT Ver. 090608 (based on Penn's Rev. 6 - 9/20/04)

DESIGN CHANGE: Old Handle setup

Key NO	Part NO./Description	Key NO	Part NO./Description
15	15-6000CLL Handle	15	15N-6000CV Handle
15A	15A-4000CLL Handle Bushing	15A	15A-500CV Bushing
15B	15B-4000CLL Handle Screw	233A	233A-2000CV Handle Washer
233	233-6000CV Bearing Cover	233	233N-2000CV Bearing Cover w/attached screw **