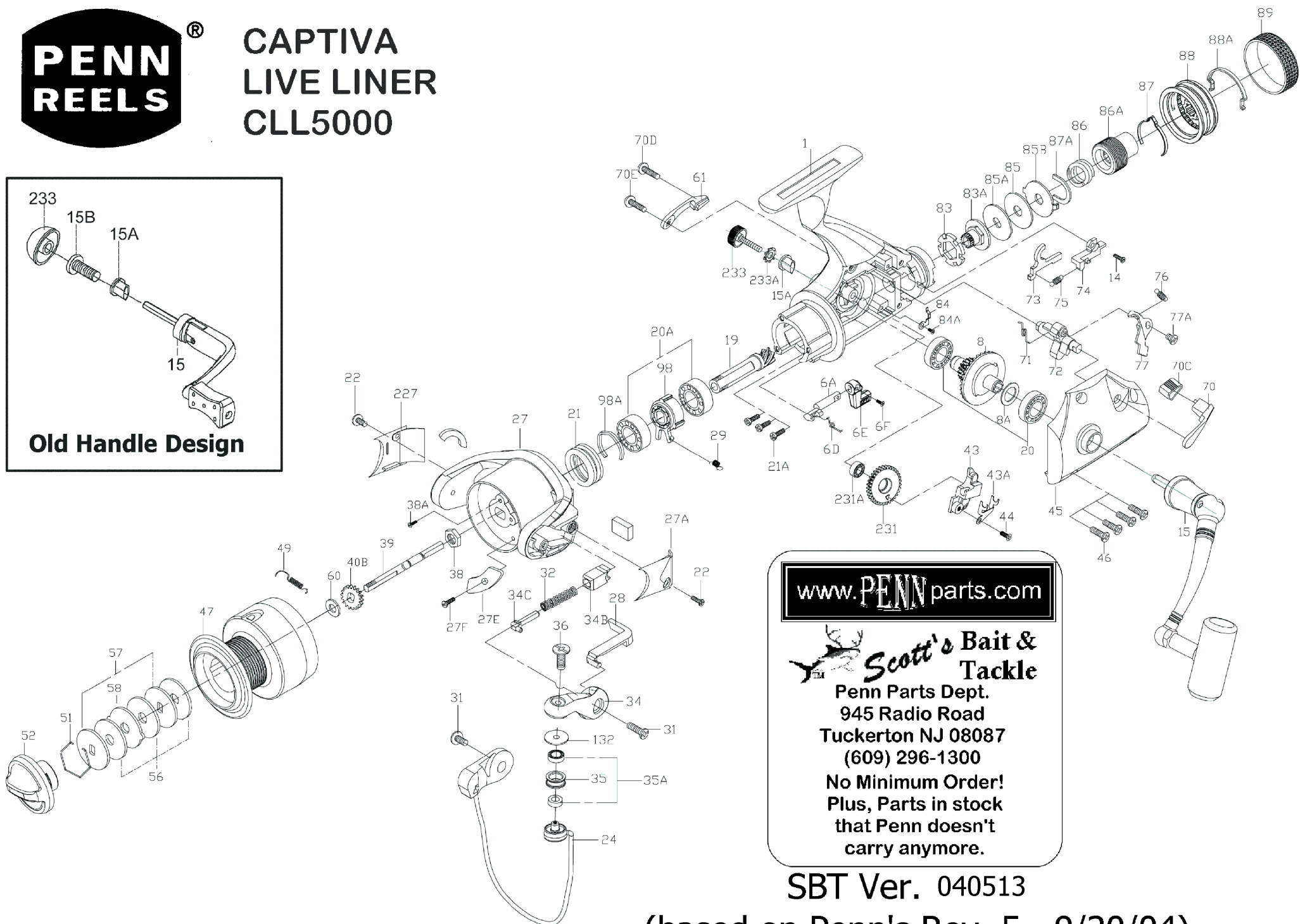
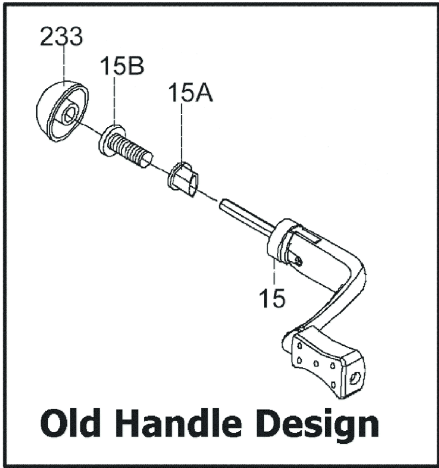


CAPTIVA LIVE LINER CLL5000



www.PENNparts.com

Scott's Bait & Tackle

Penn Parts Dept.
945 Radio Road
Tuckerton NJ 08087
(609) 296-1300

No Minimum Order!
Plus, Parts in stock
that Penn doesn't
carry anymore.

SBT Ver. 040513
(based on Penn's Rev. 5 - 9/20/04)

Penn Reel Parts list for Model: CLL5000 Captive Live Liner

| KEY NO | Penn's Part # | DESCRIPTION | KEY NO | Penn's Part # | DESCRIPTION |
|--------|---------------|-----------------------------------|--------|---------------|--------------------------------------|
| 1 | 1-5000CLL | HOUSING | 47 | 47-5000CLL | SPOOL ASSEMBLY |
| 6A | 6A-5000CLL | ECCENTRIC | 49 | 49-5000CV | CLICK SPRING |
| 6D | 6D-5000CLL | ECCENTRIC SPRING | 51 | 51-2000CV | RETAINING RING |
| 6E | 6E-5000CLL | ECCENTRIC LEVER | 52 | 52-5000CLL | DRAG KNOB |
| 6F | 6F-5000CLL | ECCENTRIC LEVER MOUNTING SCREW | 56 | 56-2000CV | FRICTION DRAG WASHER (3 REQ.) |
| 8 | 8-5000CLL | MAIN GEAR ASSEMBLY | 57 | 57-5000CV | KEYED WASHER (2 REQ.) |
| 8A | 8A-500CV | MAIN GEAR SHIM | 58 | 58-2000CV | EARED DRAG WASHER |
| 14 | 14-5000CLL | SCREW | 60 | 60-5000CLL | THRUST WASHER |
| 19 | 19-5000CLL | PINION GEAR | 70 | 70A-4000CLL | LEFT SIDE LIVELINER ECCENTRIC LEVER |
| 20 | 20-5000CV | HOUSING BALL BEARING (2 REQ.) | 70B | 70B-4000CLL | RIGHT SIDE LIVELINER ECCENTRIC LEVER |
| 20A | 20A-500CV | PINION BALL BEARING (2 REQ.) | 70C | 70C-4000CLL | MID LIVELINER ECCENTRIC LEVER |
| 21 | 21-5000CV | COLLAR | 70D | 70D-4000CLL | ECCENTRIC LEVER SCREW |
| 21A | 21A-2000CV | BEARING MOUNTING SCREW (3 REQ.) | 70E | 70E-4000CLL | ECCENTRIC LEVER SCREW |
| 22 | 22-4000CLL | COVER SCREW (2 REQ.) | 71 | 71-5000CLL | LIVELINER ECCENTRIC SPRING |
| 24 | 24-5000CV | BAIL WIRE | 72 | 72-5000CLL | LIVELINER ECCENTRIC LEVER |
| 27 | 27-5000CLL | ROTOR CUP | 73 | 73-5000CLL | LIVELINER DOG |
| 27A | 27A-5000CV | BAIL PIVOT COVER | 74 | 74-5000CLL | LIVELINER PLATE |
| 27E | 27E-5000CV | BALANCE WEIGHT | 75 | 75-4000CLL | DOG SPRING |
| 27F | 27F-2000CV | BALANCE WEIGHT SCREW | 76 | 76-5000CLL | TRIP SPRING |
| 28 | 28-6000CV | TRIP LEVER | 77 | 77-4000CLL | ECCENTRIC TRIP |
| 29 | 29-5000CV | SPRING | 77A | 77A-4000CLL | ECCENTRIC TRIP SCREW |
| 31 | 31-2000CV | BAIL SCREW (2 REQUIRED) | 83 | 83-5000CLL | REAR DRAG RATCHET |
| 32 | 32-4000CV | BAIL SPRING | 83A | 83A-5000CLL | REAR RATCHET INSERT |
| 34 | 34-5000CV | BAIL ARM | 84 | 84-5000CLL | REAR DRAG CLICK SPRING |
| 34B | 34B-4000CV | PIVOT GUIDE | 84A | 84A-5000CLL | CLICK SPRING SCREW |
| 34C | 34C-5000CV | PIVOT ARM | 85 | 85-5000CLL | REAR DRAG WASHER |
| 35 | 35-5000CV | LINE ROLLER | 85A | 85A-5000CLL | REAR KEYED WASHER |
| 35A | 35A-5000CV | LINE ROLLER BALL BEARING (2 REQ.) | 85B | 85B-5000CLL | REAR EARED WASHER |
| 36 | 36-5000CV | BAIL STUD SCREW | 86 | 86-5000CLL | REAR DRAG SPRING |
| 38 | 38-5000CV | ROTOR NUT | 86A | 86A-5000CLL | REAR DRAG NUT |
| 38A | 38A-2000CV | ROTOR NUT SCREW | 87 | 87-5000CLL | REAR CLICK SPRING |
| 39 | 39-5000CLL | SPOOL SHAFT | 87A | 87A-5000CLL | REAR DRAG RETAINER |
| 40B | 40B-5000CV | CLICK RATCHET | 88 | 88-5000CLL | REAR DRAG KNOB |
| 43 | 43-5000CLL | CROSSWIND BLOCK | 88A | 88A-5000CLL | REAR DRAG KNOB RETAINER |
| 43A | 43A-5000CLL | SPOOL SHAFT CLIP | 89 | 89-5000CLL | REAR DRAG KNOB GRIP |
| 44 | 44-5000CV | CROSSWIND BLOCK SCREW | 98 | 98-5000CLL | CLUTCH RETAINER W/ BEARING |
| 45 | 45-5000CLL | HOUSING COVER | 98A | 98A-5000CLL | CLUTCH CLIP |
| 46 | 46-5000CV | HOUSING COVER SCREWS (4 REQ.) | 132 | 132-4000CLL | LINE ROLLER WASHER |
| | | | 227 | 227-5000CLL | CAM COVER |
| | | | 231 | 231-5000CLL | CROSSWIND GEAR |
| | | | 231A | 20-500CV | CROSSWIND GEAR BALL BEARING |

NOTE: Many of www.pennparts.com schematics include changes that were either made by Penn, or errors found and corrected by our parts dept.
SBT Ver. 040513 (based on Penn's Rev. 5 - 9/20/04)

ESIGN CHANGE: Old Handle setup

| Key NO | Part NO./Description |
|--------|----------------------------|
| 15 | 15-4000CLL Handle |
| 15A | 15A-4000CLL Handle Bushing |
| 15B | 15B-4000CLL Handle Screw |
| 233 | 233-5000CV Bearing Cover |

New Handle setup

| Key NO | Part NO./Description |
|--------|---|
| 15 | 15N-5000CV Handle |
| 15A | 15A-5000CV Bushing |
| 233A | 233A-2000CV Handle Washer |
| 233 | 233N-2000CV Bearing Cover w/attached screw ** |

ERROR: On some of Penn's schematics, 132-2000CV is listed as the line roller washer, but this part is NOT compatible on this reel. Use 132-4000CLL