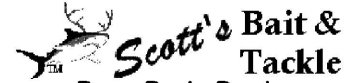




# PARTS LIST FOR MODEL CFT4000

www.PENNparts.com

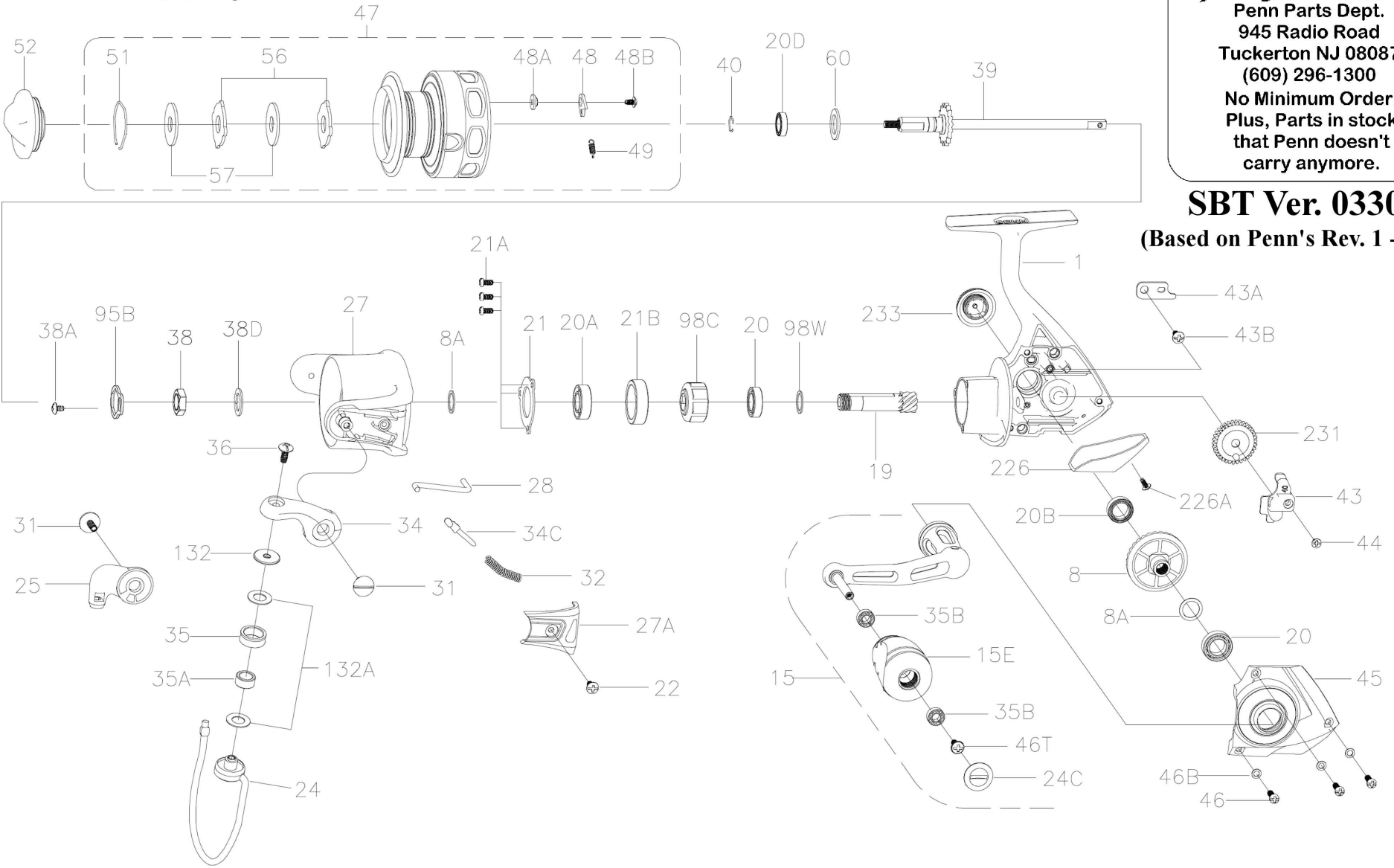


Penn Parts Dept.  
945 Radio Road  
Tuckerton NJ 08087  
(609) 296-1300

No Minimum Order!  
Plus, Parts in stock  
that Penn doesn't  
carry anymore.

## SBT Ver. 033014

(Based on Penn's Rev. 1 - 5/13/13)



## Penn Reel Parts list for Model: CFT4000 Conflict Spinning Series

| PUREFISHING PENN PART |         |             |                                     | PUREFISHING PART |         |             |                                   |
|-----------------------|---------|-------------|-------------------------------------|------------------|---------|-------------|-----------------------------------|
| S NO                  | NO.     | NO.         | DESCRIPTION                         | KEY NO           | NO.     | NO.         | DESCRIPTION                       |
| 1                     | 1308046 | 1-CFT4000   | HOUSING                             | 39               | 1308072 | 39-CFT4000  | SPOOL SHAFT                       |
| 8                     | 1308047 | 8-CFT3000   | MAIN GEAR ASSEMBLY                  | 40               | 1308073 | 40-CFT3000  | BEARING LOCK SPRING               |
| 8A                    | 1191028 | 8A-3000SG   | MAIN GEAR SHIM                      | 43               | 1200531 | 43-4000SG   | CROSSWIND BLOCK                   |
| 15                    | 1308048 | 15-CFT3000  | HANDLE ASSEMBLY                     | 43A              | 1191818 | 43A-3000SG  | CROSSWIND BLOCK PLATE             |
| 15E                   | 1316412 | 15E-CFT3000 | HANDLE KNOB                         | 43B              | 1191826 | 43B-3000SG  | CROSSWIND BLOCK PLATE SCREW       |
| 19                    | 1308049 | 19-CFT3000  | PINION GEAR                         | 44               | 1191843 | 44-3000SG   | CROSSWIND BLOCK SCREW             |
| 20                    | 1308050 | 20-CFT3000  | BALL BEARING (2 REQUIRED)           | 45               | 1308075 | 45-CFT4000  | HOUSING COVER                     |
| 20A                   | 1308051 | 20A-CFT3000 | UPPER PINION BALL BEARING           | 46               | 1191901 | 46-3000SG   | HOUSING COVER SCREW (3 REQUIRED)  |
| 20B                   | 1211610 | 20D-5000BTL | BALL BEARING                        | 46B              | 1191907 | 46B-3000SG  | HOUSING COVER WASHER (3 REQUIRED) |
| 20D                   | 1211588 | 20D-3000BTL | SPOOL BALL BEARING                  | 46T              | 1316411 | 46T-CFT2000 | SCREW                             |
| 21                    | 1308052 | 21-CFT3000  | BEARING RETAINER                    | 47               | 1308077 | 47-CFT4000  | SPOOL ASSEMBLY                    |
| 21A                   | 1192644 | 21A-3000SG  | BEARING RETAINER SCREW (3 REQUIRED) | 48               | 1211604 | 48-3000SG   | CLICK TONGUE                      |
| 21B                   | 1308053 | 21B-CFT3000 | COLLAR                              | 48A              | 1214226 | 48A-3000SG  | CLICK TONGUE WASHER               |
| 22                    | 1208997 | 43B-3000PUR | BAIL PIVOT COVER SCREW              | 48B              | 1211591 | 48B-3000BTL | SPOOL CLICK SCREW                 |
| 24                    | 1308055 | 24-CFT4000  | BAIL WIRE                           | 49               | 1211605 | 49-3000SG   | CLICK TONGUE SPRING               |
| 24C                   | 1316409 | 24C-CFT2000 | HANDLE KNOB CAP                     | 51               | 1308078 | 51-CFT3000  | RETAINING SPACER                  |
| 25                    | 1308056 | 25-CFT3000  | BAIL HOLDER                         | 52               | 1308079 | 52-CFT3000  | DRAG KNOB                         |
| 27                    | 1308058 | 27-CFT4000  | ROTOR CUP                           | 56               | 1308080 | 56-CFT3000  | DRAG WASHER (2 REQUIRED)          |
| 27A                   | 1308060 | 27A-CFT4000 | BAIL PIVOT COVER                    | 57               | 1192043 | 57-3000SG   | KEYED DRAG WASHER (2 REQUIRED)    |
| 28                    | 1308062 | 28-CFT4000  | TRIP LEVER                          | 60               | 1192060 | 60-3000SG   | THRUST WASHER                     |
| 31                    | 1308063 | 31-CFT3000  | BAIL ARM SCREW (2 REQUIRED)         | 95B              | 1308081 | 95B-CFT3000 | ROTOR LOCKING PLATE               |
| 32                    | 1191586 | 32-3000SG   | BAIL SPRING                         | 98C              | 1308082 | 98C-CFT3000 | CLUTCH/SLEEVE ASSEMBLY            |
| 34                    | 1308064 | 34-CFT3000  | BAIL ARM                            | 98W              | 1204004 | 98W-3000PUR | CLUTCH WASHER (2 REQUIRED)        |
| 34C                   | 1308065 | 34C-CFT3000 | PIVOT ARM                           | 132              | 1192296 | 132-3000SG  | ROLLER WASHER                     |
| 35                    | 1308066 | 35-CFT3000  | LINE ROLLER                         | 132A             | 1192302 | 132A-3000SG | LINE ROLLER WASHER (2 REQUIRED)   |
| 35A                   | 1308067 | 35A-CFT3000 | LINE ROLLER BUSHING                 | 226              | 1308083 | 226-CFT3000 | REAR COVER                        |
| 35B                   | 1316410 | 35B-CFT2000 | BALL BEARING (2 REQUIRED)           | 226A             | 1192473 | 226A-3000SG | REAR COVER SCREW                  |
| 36                    | 1191699 | 36-3000SG   | BAIL PIVOT COVER SCREW              | 231              | 1200522 | 231-4000SG  | CROSSWIND GEAR                    |
| 38                    | 1308068 | 38-CFT3000  | ROTOR NUT                           | 233              | 1308084 | 233-CFT3000 | BEARING COVER                     |
| 38A                   | 1308069 | 38A-CFT3000 | ROTOR LOCKING PLATE SCREW           |                  |         |             |                                   |
| 38D                   | 1308070 | 38D-CFT3000 | ROTOR NUT WASHER                    |                  |         |             |                                   |

NOTE: Many of www.pennparts.com schematics include changes that were either made by Penn, or errors found and corrected by our parts dept.  
 SBT Ver. 033014 (based on Penn's Rev. 1 - 5/13/13)