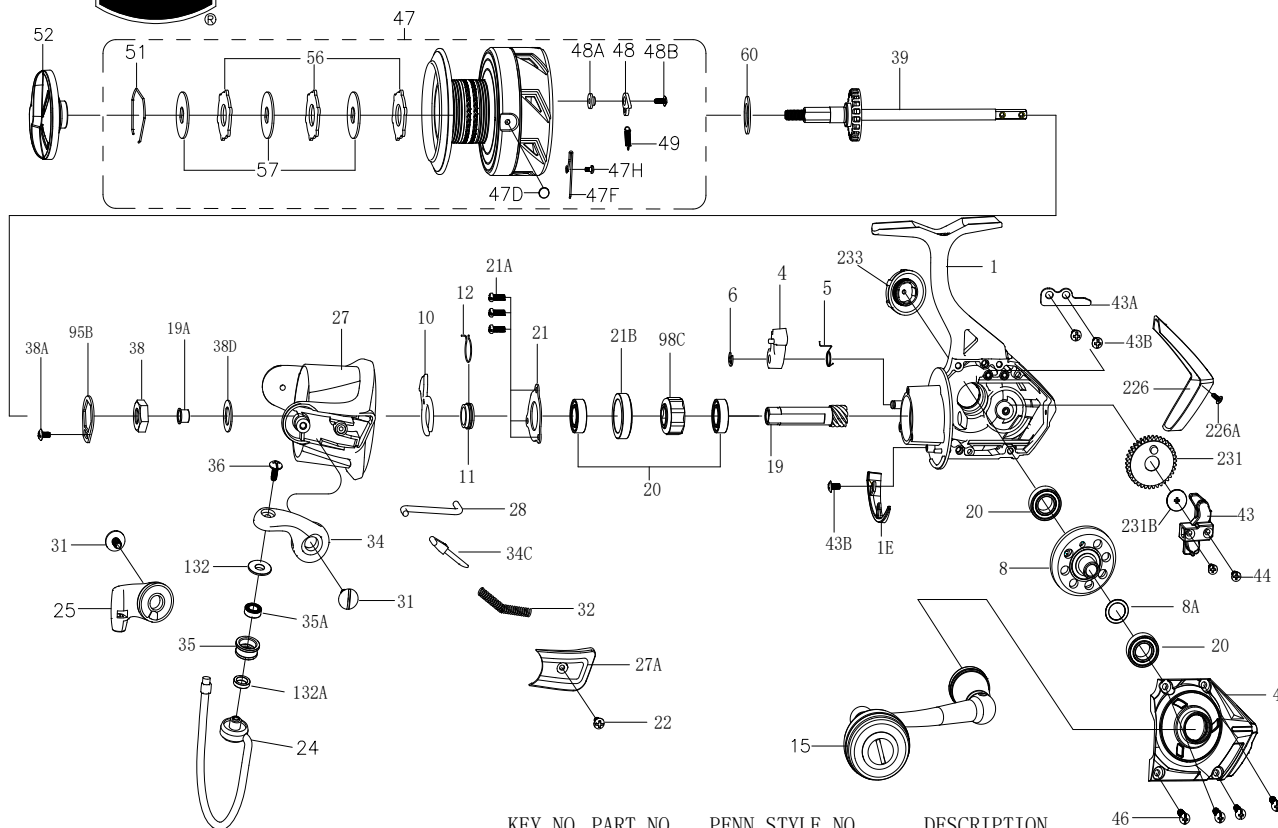




PARTS LIST FOR MODEL BTLIII6000LE



KEY NO.	PART NO.	PENN STYLE NO.	DESCRIPTION
21B	1529479	21B-BTLIII5000	Collar
22	1203997	43B-3000PUR	Bail Pivot Cover Screw
24	1529505	24-BTLIII6000	Bail Wire Assembly
25	1529481	25-BTLIII5000	Bail Holder
27	1529515	27-BTLIII6000LE	Rotor
27A	1529507	27A-BTLIII6000	Bail Pivot Cover
28	1529508	28-BTLIII6000	Trip Lever
31	1489396	31-SSVI5500	Bail Arm Screw (2 req)
32	1308101	32-CFT5000	Bail Spring
34	1308102	34-CFT5000	Bail Arm
34C	1529485	34C-BTLIII5000	Pivot Arm
35	1489400	35-SSVI5500	Line Roller
35A	1242222	35A-5000BTL	Line Roller Bearing
36	1191699	36-3000SG	Bail Stud Screw
38	1529486	38-BTLIII5000	Rotor Nut
38A	1365741	38A-FRCII5000	Screw
38D	1308104	38D-CFT5000	Rotor Nut Washer
39	1529509	39-BTLIII6000	Main Shaft Assembly
43	1529488	43-BTLIII5000	Crosswind Block
43A	1529489	43A-BTLIII5000	Crosswind Block Plate
43B	1489213	43B-SSVI3500	Plate Screw (3 req)
44	1191845	44-5000SG	Crosswind Block Screw (2 req)
45	1529516	45-BTLIII6000LE	Housing Cover
46	1191903	46-5000SG	Housing Cover Screw (4 req)
47	1529517	47-BTLIII6000LE	Spool Assembly
47D	1489408	47D-SSVI5500	Line Clip
47F	1489218	47F-SSVI3500	Line Clip Spring
47H	1529492	47H-BTLIII5000	Line Clip Spring Screw
48	1211625	48-5000SG	Click Tongue
48A	1211626	48A-5000SG	Click Tongue Washer
48B	1192658	22-2000SG	Spool Click Screw
49	1211627	49-5000SG	Click Tongue Spring
51	1308112	51-CFT5000	Drag Retaining Ring
52	1529512	52-BTLIII6000	Drag Knob Assembly
56	1308114	56-CFT5000	Drag Washer (3 req)
57	1192044	57-5000SG	Keyed Washer (3 req)
60	1489320	39A-SSVI7500	Thrust Washer
95B	1308115	95B-CFT5000	Rotor Locking Plate
98C	1308116	98C-CFT5000	Clutch/Sleeve Assembly
132	1529513	132-BTLIII6000	Roller Washer
132A	1489411	132A-SSVI5500	Line Roller Bushing
226	1529494	226-BTLIII5000	Rear Cover
226A	1529386	226A-BTLIII3000	Rear Cover Screw
231	1489444	231-SSVI6500	Crosswind Gear
231B	1489338	231B-SSVI7500	Crosswind Gear Screw
233	1529496	233-BTLIII5000	Bearing Cover Assembly

KEY NO.	PART NO.	PENN STYLE NO.	DESCRIPTION
1	1529514	1-BTLIII6000LE	Housing Assembly
1E	1529475	1E-BTLIII5000	Housing Slope
4	1190937	4-5000SG	Dog
5	1190966	5-5000SG	Dog Spring
6	1190979	6-5000SG	Retaining Clip
8	1529503	8-BTLIII6000	Main Gear
8A	1191030	8A-5000SG	Shim
10	1191066	10-5000SG	A/R Holder
11	1191085	11-5000SG	Bushing
12	1313865	12-CFT8000	A/R Bushing Spring
15	1529498	15-BTLIII5000LE	Handle Assembly
19	1529504	19-BTLIII6000	Pinion Gear
19A	1489429	19A-SSVI5500	Pinion Bushing
20	1308090	20-CFT5000	Ball Bearing (4 req)
21	1192636	21-5000SG	Bearing Retainer
21A	1192645	21A-5000SG	Bearing Retainer Screw (3 req)

407-BTLIII6000LE Rev. 0 3-6-2020

1528665