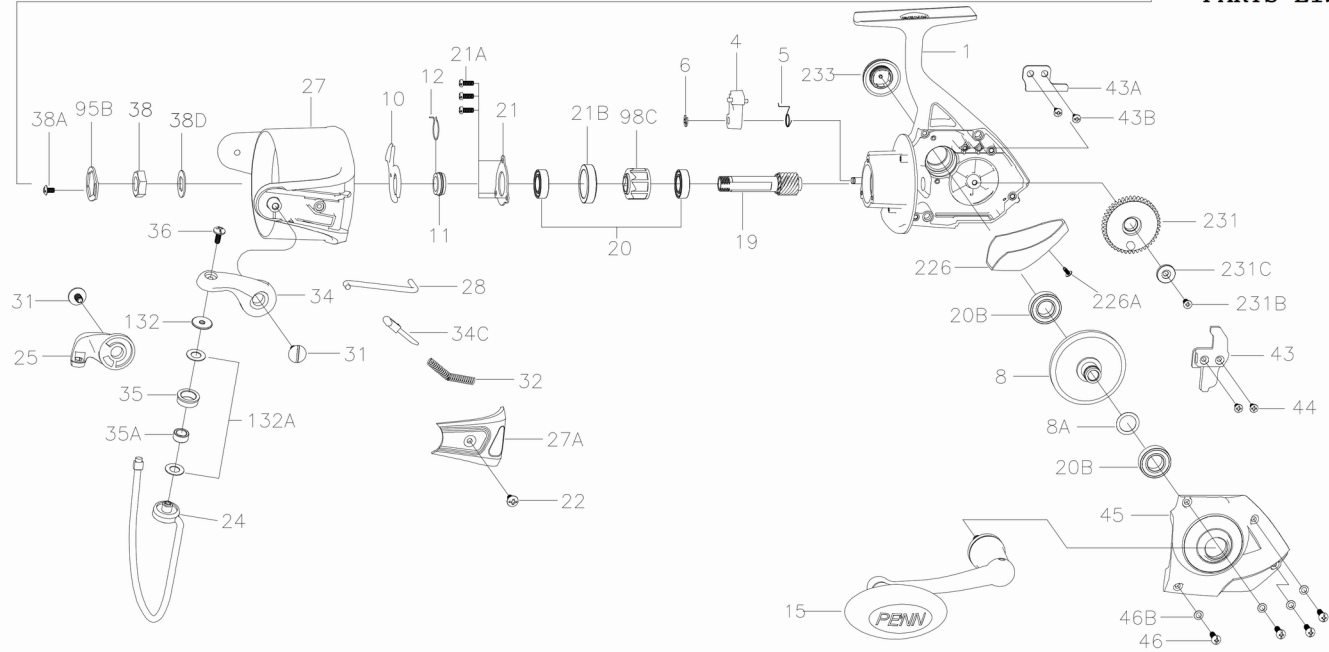


PARTS LIST FOR MODEL BTLII8000 1338222



mysticparts.com

MYSTIC REEL PARTS

965 Radio Road
 Little Egg Harbor, NJ 08087
 +1 (609) 296-1300
 www.mysticparts.com
 customerservice@mysticparts.com

MRP Ver. 031515
 (based on Penn's Rev. 0 11-8-13)

Penn Reel Parts list for Model: BTLi8000 Battle ii Spinning Series

KEY NO	PUREFISHING NO.	PENN PART NO.	DESCRIPTION	KEY NO	PUREFISHING NO.	PART NO.	DESCRIPTION
1	1324219	1-BTLi8000	HOUSING	38A	1191736	38A-5000SG	ROTOR LOCKING PLATE SCREW
4	1190939	4-7000SG	DOG	38D	1308104	38D-CFT5000	ROTOR NUT WASHER
5	1190966	5-5000SG	DOG SPRING	39	1313878	39-CFT8000	SPOOL SHAFT
6	1190979	6-5000SG	RETAINING CLIP	40	1211620	40-5000BTL	BEARING LOCKING SPRING
8	1313863	8-CFT8000	MAIN GEAR	43	1313879	43-CFT8000	CROSSWIND BLOCK
8A	1191031	8A-7000SG	MAIN GEAR SHIM	43A	1191821	43A-7000SG	CROSSWIND BLOCK PLATE
10	1313864	10-CFT8000	A/R HOLDER	43B	1191826	43B-3000SG	CROSSWIND BLOCK PLATE SCREW (2 REQUIRED)
11	1191087	11-7000SG	BUSHING	44	1191845	44-5000SG	CROSSWIND BLOCK SCREW (2 REQUIRED)
12	1313865	12-CFT8000	A/R BUSHING SPRING	45	1324223	45-BTLi8000	HOUSING COVER
15	1324220	15-BTLi8000	HANDLE ASSEMBLY	46	1191903	46-5000SG	HOUSING COVER SCREW (4 REQUIRED)
19	1313868	19-CFT8000	PINION GEAR	46B	1191908	46B-5000SG	HOUSING COVER WASHER (4 REQUIRED)
20	1308090	20-CFT5000	BALL BEARING (2 REQUIRED)	47	1324224	47-BTLi8000	SPOOL ASSEMBLY
20B	1192621	20B-7000SG	BALL BEARING (2 REQUIRED)	48	1211625	48-5000SG	CLICK TONGUE
20D	1211610	20D-5000BTL	SPOOL BALL BEARING	48A	1211626	48A-5000SG	CLICK TONGUE WASHER
21	1192636	21-5000SG	BEARING RETAINER	48B	1211612	48B-5000SG	SPOOL CLICK SCREW
21A	1192645	21A-5000SG	BEARING RETAINER SCREW (3 REQUIRED)	49	1211627	49-5000SG	CLICK TONGUE SPRING
21B	1324209	21B-BTLi5000	COLLAR	51	1308112	51-CFT5000	DRAG RETAINING RING
22	1192662	22-7000SG	BAIL PIVOT COVER SCREW	52	1324225	52-BTLi8000	DRAG KNOB
24	1313869	24-CFT8000	BAIL WIRE	56	1313883	56-CFT8000	DRAG WASHER HT100 (3 REQUIRED)
25	1313870	25-CFT8000	BAIL HOLDER	57	1211646	57-7000BTL	KEYED DRAG WASHER (3 REQUIRED)
27	1324221	27-BTLi8000	ROTOR CUP	60	1211629	60-5000BTL	THRUST WASHER
27A	1313872	27A-CFT8000	BAIL PIVOT COVER	95B	1308115	95B-CFT5000	ROTOR LOCKING PLATE
28	1313873	28-CFT8000	TRIP LEVER	98C	1313884	98C-CFT8000	CLUTCH/SLEEVE ASSEMBLY
31	1308100	31-CFT5000	BAIL ARM SCREW (2 REQUIRED)	132	1192298	132-7000SG	ROLLER WASHER
32	1313874	32-CFT8000	BAIL SPRING	132A	1192302	132A-3000SG	LINE ROLLER WASHER (2 REQUIRED)
34	1313875	34-CFT8000	BAIL ARM	226	1313885	226-CFT8000	REAR COVER
34C	1191656	34C-7000SG	PIVOT ARM	226A	1192473	226A-3000SG	REAR COVER SCREW
35	1324222	35-BTLi8000	LINE ROLLER	231	1313886	231-CFT8000	CROSSWIND GEAR
35A	1313877	35A-CFT8000	LINE ROLLER BUSHING	231B	1313887	231B-CFT8000	SCREW, CROSSWIND GEAR
36	1191704	36-7000SG	BAIL STUD SCREW	231C	1313888	231C-CFT8000	CROSSWIND GEAR SCREW SLEEVE (BUSHING)
38	1191731	38-8000SG	ROTOR NUT	233	1211631	233-5000BTL	BEARING COVER

MYSTIC REEL PARTS REVISION!

NOTE:

Many of www.mysticparts.com schematics include changes that were either made by Penn, or errors found and corrected by our parts dept.

MRP Ver. 031515 (based on Penn's Rev. 0 11-8-13)