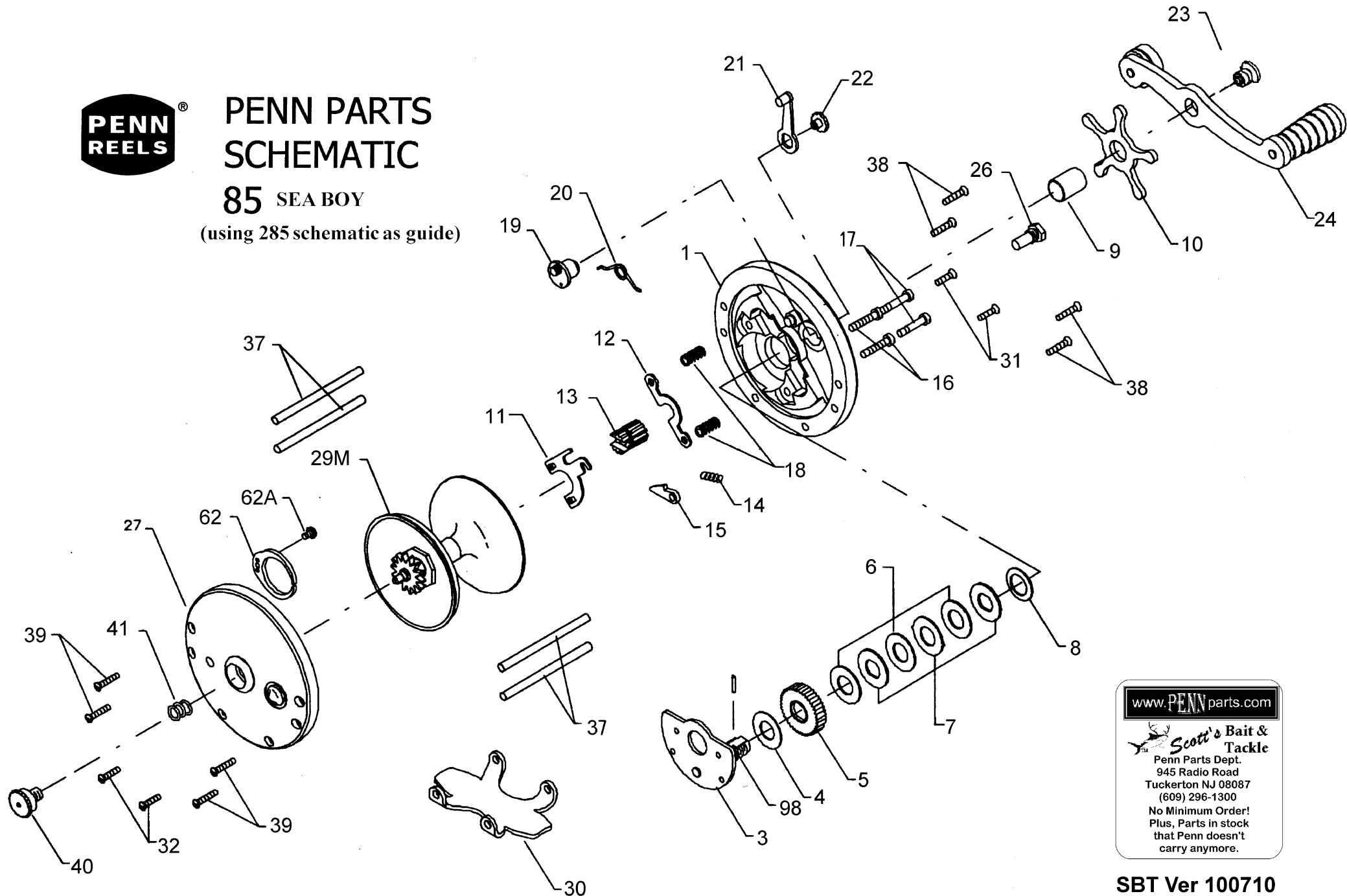




# PENN PARTS SCHEMATIC

## 85 SEA BOY

(using 285 schematic as guide)



[www.PENNparts.com](http://www.PENNparts.com)

**Scott's Bait & Tackle**  
Penn Parts Dept.  
945 Radio Road  
Tuckerton NJ 08087  
(609) 296-1300  
No Minimum Order!  
Plus, Parts in stock  
that Penn doesn't  
carry anymore.

**Penn Reel Parts list for:****Model: 85****Sea Boy**

KEY NO.	PART NO.	DESCRIPTION	KEY NO.	PART NO.	DESCRIPTION
1	1-85	RIGHT SIDE PLATE	21	21-285	ECCENTRIC LEVER
3	3-85	BRIDGE W/ SLEEVE	22	22-60CH	ECCENTRIC SCREW
4	4-155	FIBER WASHER	23	23-85	HANDLE SCREW
5	5-60	MAIN GEAR	24	24-85	COMPLETE HANDLE
6	6-60	DRAG WASHER	26	26-60	R.S. BEARING
7	7C-60	METAL WASHER SET	27	27-85	LEFT SIDE PLATE
8	8-60	TENSION SPRING	29	29L-85	ALUMINUM SPOOL
9	9-60	SPACING SLEEVE	29M	29M-60	METAL SPOOL
10	10-60	STAR DRAG WHEEL	30	30-60	STAND
11	11-60	ECCENTRIC JACK	31	32-16CH	R.S. STAND SCREW
12	12-60	PINION YOKE	32	32-14CH	L.S. STAND SCREW
13	13-85	PINION	35	35-60	CLICK TONGUE
14	14-99	DOG SPRING	36	36-60	CLICK BUTTON
15	15-85	DOG	37	37-60	FRAME POST
16	16-60CH	LOWER BRIDGE SCREW	38	39-5	R.S. POST SCREW
17	17-60CH	UPPER BRIDGE SCREW	39	39-4CH	L.S. POST SCREW
18	18-60	CLUTCH SPRING	40	40-60	L.S. BEARING (OLD #40-85)
19	19-60	ECCENTRIC	41	41-60	L.S. BEARING SPRING
20	20-60L	ECCENTRIC SPRING	62	62-309	CLICK SPRING
			62A	63-209	CLICK SPRING SCREW
			**	98-155	GEAR SLEEVE

\*\* = Not shown on drawing

NOTE: Many of [www.pennparts.com](http://www.pennparts.com) schematics include changes that were either made by Penn, or errors found and corrected by our parts dept.  
SBT Ver. 082606