

PENN PARTS LIST FOR MODEL 706Z (BAILLESS)

REEL ASSEMBLY NO. 000F706Z (1291091)

www.PENNparts.com

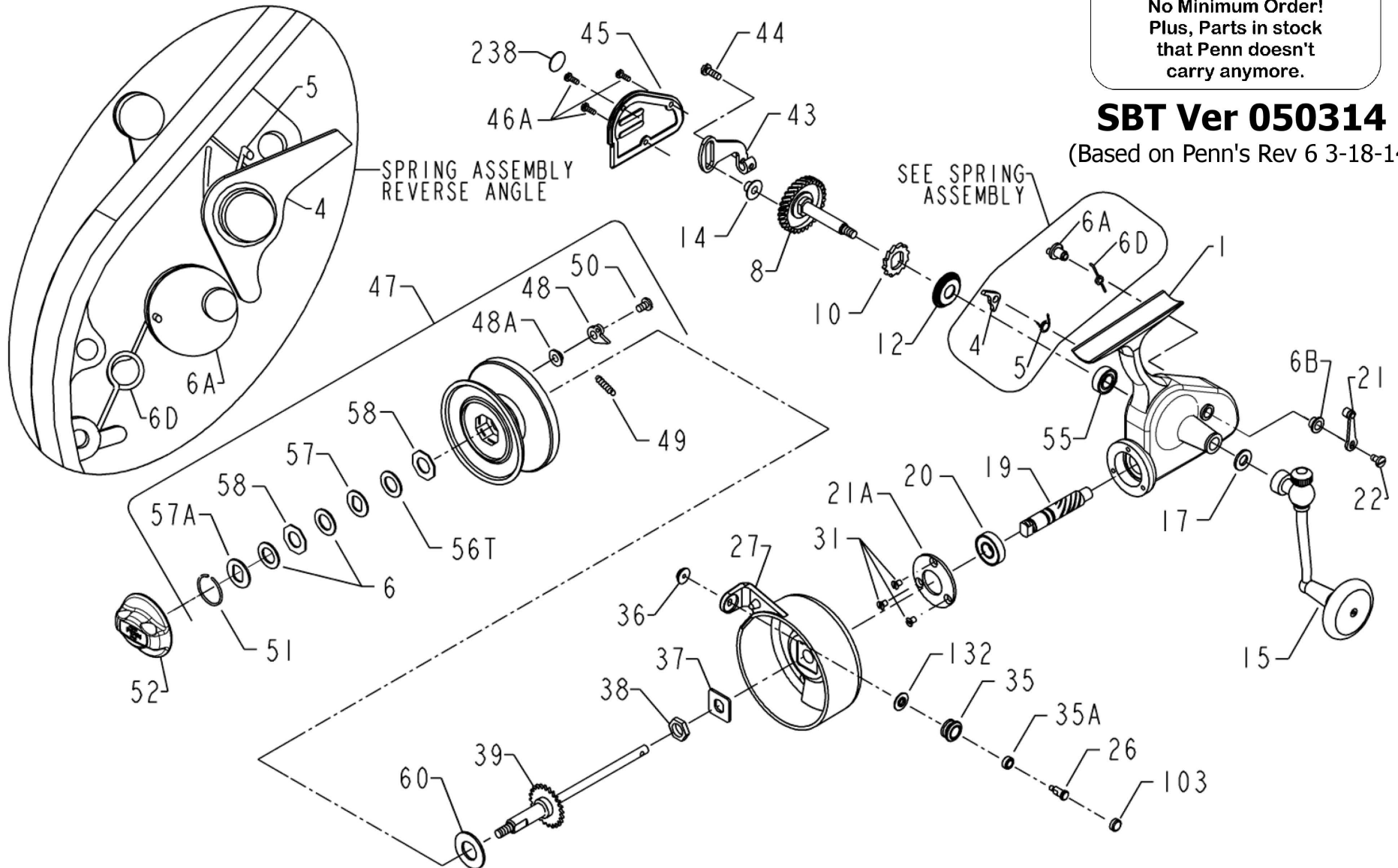
Scott's Bait & Tackle

Penn Parts Dept.
945 Radio Road
Tuckerton NJ 08087
(609) 296-1300

No Minimum Order!
Plus, Parts in stock
that Penn doesn't
carry anymore.

SBT Ver 050314

(Based on Penn's Rev 6 3-18-14)



Penn Reel Parts list for Model: 706Z

KEY	PENN	PureFishing	
NO	Part No.	Part No.	DESCRIPTION
1	1-706	1180542	HOUSING W/ BUSHING
4	4-704	1180783	DOG
5	5-704	1180877	DOG SPRING
6	6-60	1180906	DRAG WASHER BRAKE LINING (2 REQ.)
6A	6A-704	1180954	ECCENTRIC
6B	6B-700Z	1180965	ECCENTRIC LINE
6D	6D-710	1180977	ECCENTRIC SPRING
8	8-704	1181097	MAIN GEAR W/ RATCHET
10	10-704	1181208	RATCHET
12	12-704	1181272	MAIN GEAR THRUST WASHER
14	14-710	1181409	CROSSWIND ROLLER
15	15-706	1181494	HANDLE (COMPLETE)
17	17-710	1181601	HANDLE WASHER
20	20-704	1181790	PINION BEARING
21A	21-706	1181875	BEARING RETAINER
22	22-109	1181912	ECCENTRIC SCREW
26	26-706	1182128	ROLLER SHAFT
31	31-19	1182654	BEARING COVER SCREW (3 REQ)
35	35-706	1182938	LINE ROLLER
35A	35A-706	1182963	ROLLER BEARING

KEY	PENN	PureFishing	
NO	Part No.	Part No.	DESCRIPTION
36	36-706	1183015	BAIL LOCK NUT
37	37-706	1183084	ROTOR CUP WASHER
38	38-704	1183156	ROTOR CUP NUT
39	39-704	1183230	SPOOL SHAFT
43	43-704	1183399	CROSSWIND ARM
44	44-704	1183458	CROSSWIND SCREW
45	45-706	1183523	HOUSING PLATE
46A	46A-704	1183586	RETAINING SCREW (3 REQ)
48	48-450	1183709	CLICK TONGUE
48A	48A-750	1183722	CLICK TONGUE WASHER
49	49-710	1183741	CLICK SPRING
51	51-704	1183795	RETAINING SPRING
52	52-750	1183837	DRAG KNOB
55	55-320	1183887	GEAR BEARING
56T	56T-704	1183918	DRAG WASHER
58	58-704	1183960	METAL WASHER (OCTAGON) (2 REQ)
60	60-710	1184004	REAR DRAG WASHER (TEFLON)
103	103-706	1184415	BEARING CAP
132	132-706	1184594	ROLLER WASHER
238	238-706	1185179	DECAL

Original 706, 706Z (Parts Differences)

2014 706Z

19	19-704	~N/A~	PINION GEAR
21	21-109	1181843	ECCENTRIC LEVER
27	27-706	1182274	ROTOR CUP
47	47-706	~N/A~	SPOOL (COMPLETE)
50	22-750	1181922	CLICK SCREW
57A	57A-750	1183942	METAL WASHER (2 REQ)

19	19N-704	1181708	PINION GEAR (TEETH STOP WHERE PINION COVERED BY HOUSING)
21	21E-704	1320714	ECCENTRIC LEVER (JUST A 21-109 WITH A RUBBER SLEEVE ON THE END)
27	27N-706	1358609	ROTOR CUP (DOES NOT USE A DECAL)
47	47N-706	1183659	SPOOL (COMPLETE) (#50 and #57/57A only differences)
50	48B-750M	1186969	CLICK SCREW (FLATTER STYLE HEAD)
57	57-704	1183937	METAL KEYED WASHER (1 REQ.)
57A	57A-750	1183942	METAL KEYED WASHER (1 REQ.)

NOTE: Many of www.pennparts.com schematics include changes that were either made by Penn, or errors found and corrected by our parts dept.
SBT 050314 (Based on Penn's Rev 6 - 3/18/14)

706Z is the black/gold cosmetics
706 was the older version that came in green, blue, brown or black
All parts are interchangeable

Note to owners of Penn Green series of Spinfishers. All parts are interchangeable between the Green Series and the New Z series except parts 1, 15, 27, 45, 47, 52." TRANSLATION: 1, 15, 27, 45, and 52 were just differences in cosmetics - newer parts fit but are black. Only on 47- Spool does the difference become a problem, as the newer clicker does not seat the same. If you don't care about having the clicker, this isn't an issue. There is a photo page in this .pdf file to show how to modify a click tongue to work as a sub.