

www.PENNparts.com

 **Scott's Bait & Tackle**

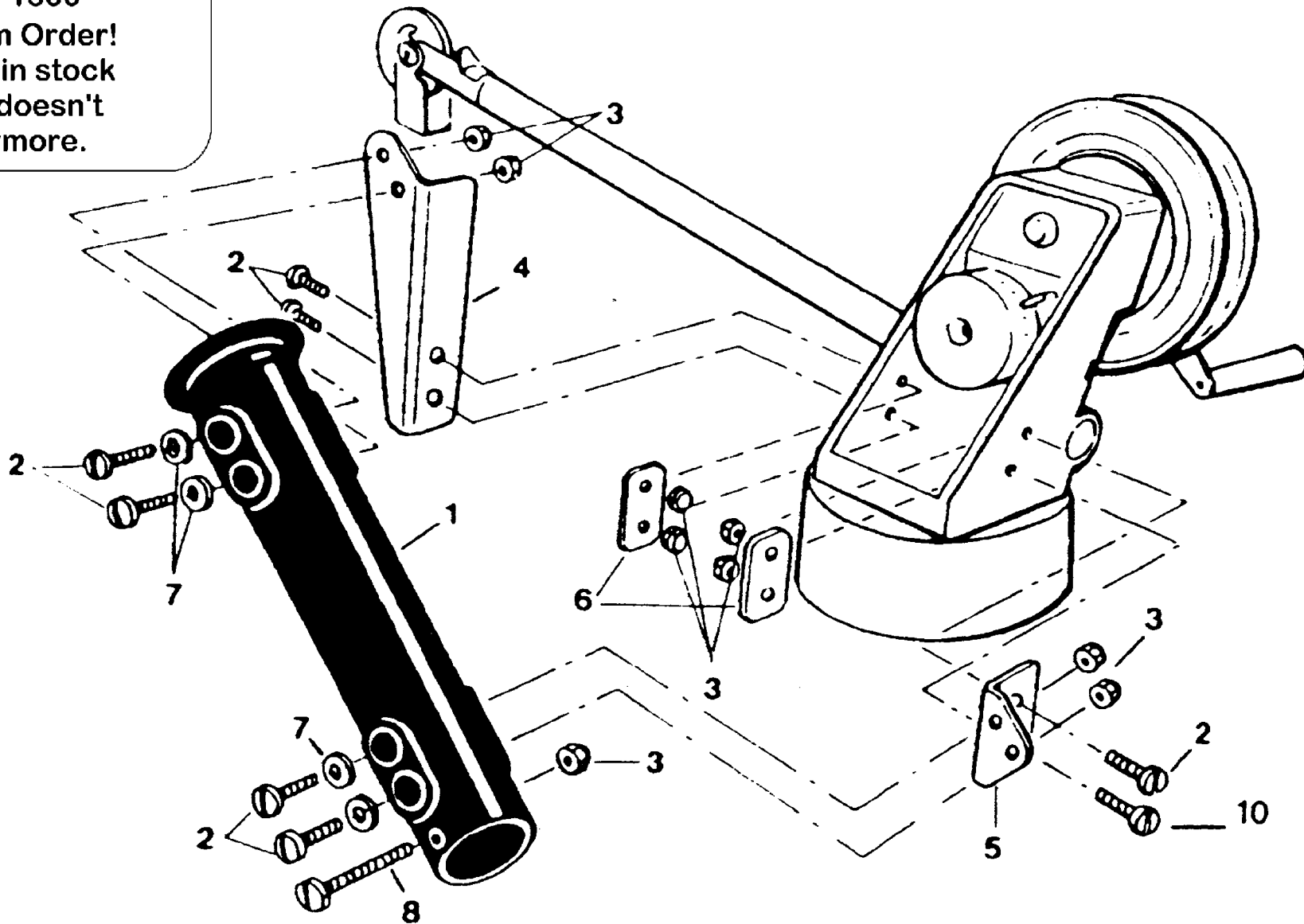
Penn Parts Dept.
945 Radio Road
Tuckerton NJ 08087
(609) 296-1300

No Minimum Order!
Plus, Parts in stock
that Penn doesn't
carry anymore.

PARTS FOR FATHOM-MASTER[®] ACCESSORIES

ROD HOLDER 610 RH

**PENN
REELS[®]**



Penn Reel Parts list for:

Model: 610RH ROD HOLDER SYSTEM

KEY PART

NO	NO.	DESCRIPTION
1	256-610	ROD HOLDER TUBE
2	267A-610	MOUNTING BOLTS (7REQ.)
3	208-815	SELF LOCKING NUTS (9 REQ.) (Old # was 208-600)
4	258-610	FORWARD BRACKET
5	259-610	REAR BRACKET
6	265-610	BACKING PLATES (2 REQ.)
7	220-600	FLAT WASHERS(4 REQ.)
8	182-610	ROD BUTT PIN (Old # was 260-610 Gimbal Bolt w/nut)
9	196-600	RETAINING RING (2 REQ.)
10	267-815	LONG MOUNTING BOLT

NOTE: Many of www.pennparts.com schematics include changes that were either made by Penn, or errors found and corrected by our parts dept.
SBT Ver. 091208 (modified to include older part #s for reference)