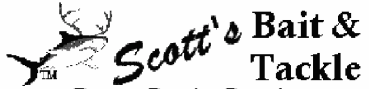


www.PENNparts.com

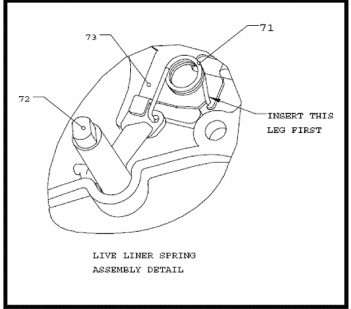
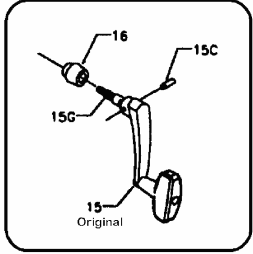
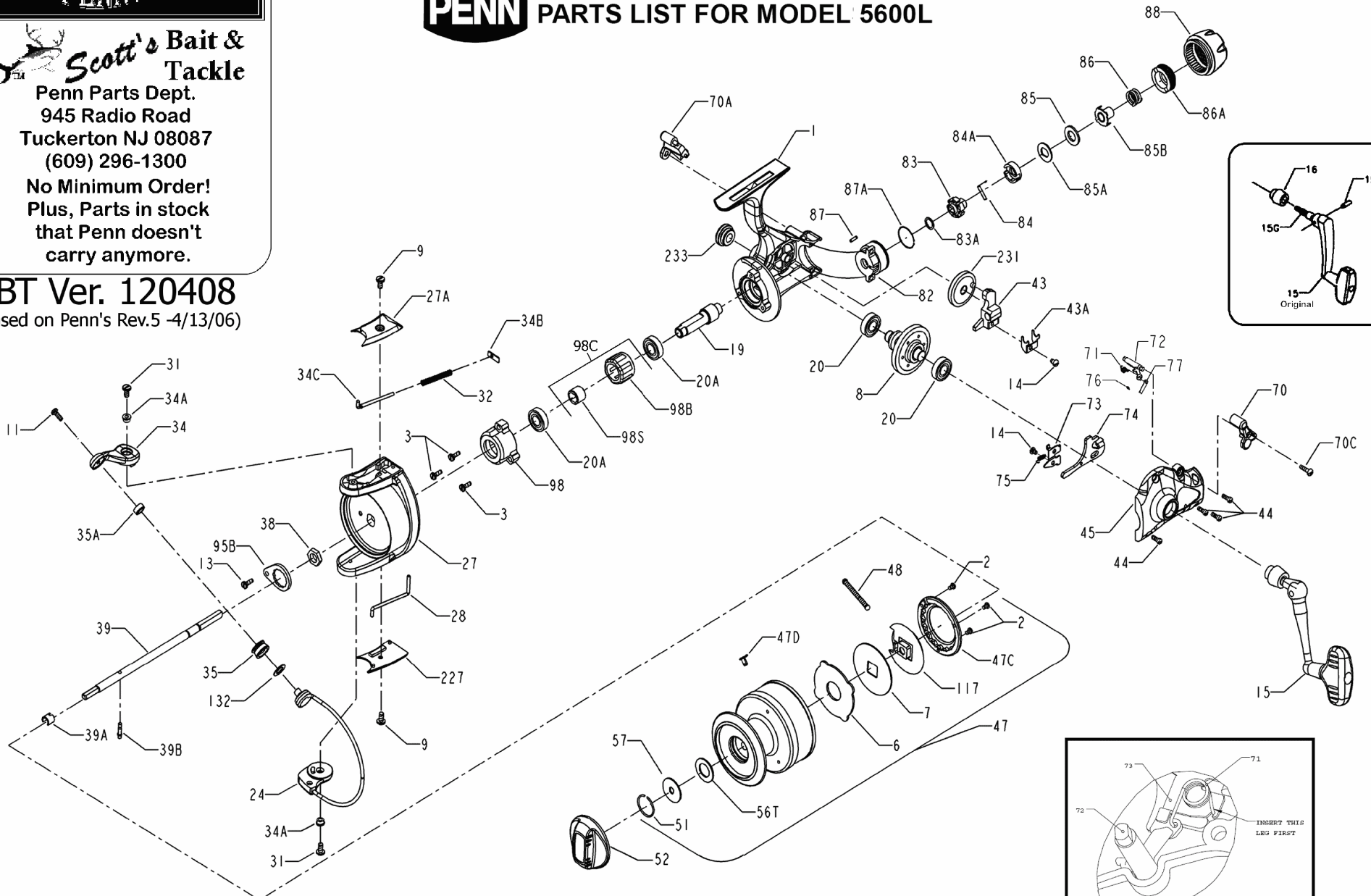


Penn Parts Dept.  
945 Radio Road  
Tuckerton NJ 08087  
(609) 296-1300

No Minimum Order!  
Plus, Parts in stock  
that Penn doesn't  
carry anymore.

**SBT Ver. 120408**  
(based on Penn's Rev.5 -4/13/06)

# PENN® PARTS LIST FOR MODEL 5600L



## Penn Reel Parts list for:

Model: 5600L LiveLiner

KEY NO	PART NO.	DESCRIPTION	KEY NO	PART NO.	DESCRIPTION
1	1-5600	HOUSING	53	53-5600	DRAG KNOB INSERT
2	44-5600	SCREW (3 REQ.)	53A	53A-5600	DRAG KNOB CLICK PIN
3	44-710	SCREW (5 REQ.)	53B	53B-5600	DRAG KNOB CLICK SPRING
6	6-5600	MAIN DRAG WASHER HT-100	54	54-440	DRAG SPRING
7	7-5600	MAIN KEYED DRAG WASHER	55	55-550	DRAG KNOB NUT
8	8N-5500	GEAR	56T	56T-650	DRAG WASHER (TEFLON)
9	22-750	SCREW (2 REQ.)	57	57-5600	DRAG WASHER (KEYED)
11	36-5600	SCREW	59	59-5600	DRAG KNOB PLATE
12	36A-5600	LOCK WASHER	63	63-500S	SCREW (2 REQ.)
13	63A-2.5FR	SCREW	70	70-5600	LIVE LINER ECCENTRIC LEVER (LEFT)
14	44-4400	SCREW (2 REQ.)	70A	70A-5600	LIVE LINER ECCENTRIC LEVER (RIGHT)
15	15-560	HANDLE NEW GOLD COMPLETE	70C	70C-5600	SCREW
15C	15C-650	PIVOT SCREW	71	71-5600	LIVE LINER ECCENTRIC SPRING
15G	15G-5600	HANDLE PIVOT	72	72-5600	LIVE LINER ECCENTRIC
16	16-560	COLLAR	73	73-5600	LIVE LINER PLATE
19	19-5600	PINION	74	74-5600	LIVE LINER DOG
20	20-722	BALL BEARING (2 REQ.)	75	75-5600	LIVE LINER DOG SPRING
20A	20-6500	BALL BEARING (2 REQ.)	76	76-5600	TRIP SPRING
24	24-5600	BAIL WIRE	77	77-5600	TRIP LEVER
27	27-5600	ROTOR CUP	82	82-5600	REAR HOUSING
27A	27A-5600	BAIL PIVOT COVER	83	83-5600	REAR DRAG RATCHET
28	28-5600	TRIP LEVER	83A	83A-5600	REAR DRAG RATCHET WASHER
31	36-750	SCREW (2 REQ.)	84	84-5600	REAR DRAG CLICK SPRING
32	32-5600	BAIL SPRING	84A	84A-5600	REAR DRAG CLICK RETAINER
34	34-5600	BAIL ARM	85	85-5600	REAR DRAG WASHER
34A	34A-5600	ROTOR BUSHING (2 REQ.)	85A	85A-5600	REAR KEYED WASHER
34B	34B-5600	PIVOT PLATE	85B	85B-5600	REAR EARED WASHER
34C	34C-5600	PIVOT ARM	86	86-5600	REAR DRAG SPRING
35	35-5600	LINE ROLLER	86A	86A-5600	REAR DRAG NUT
35A	35A-706	BAIL BEARING	87	87-5600	REAR CLICK PIN
38	38-5600	ROTOR NUT	87A	87A-5600	REAR CLICK PIN RING
39	39-5600	SPOOL SHAFT	88	88-5600	REAR DRAG KNOB
39A	39A-5600	LOCATING PIN CLIP	95B	95B-70	ROTOR LOCKING PLATE
39B	39B-5600	LOCATING PIN	98	98-5600	CLUTCH RETAINER
43	43-5600	CROSSWIND BLOCK	98C	98C-5600	CLUTCH BEARING ASSEMBLY
43A	43A-5600	SPOOL SHAFT CLIP	***ASSEMBLY REPLACES 98B and 98S***		
44	39-4CH	SCREW (4 REQ.)	98B	98B-5600	BEARING
45	45-5600	HOUSING COVER	98S	98S-5600	CLUTCH BEARING SLEEVE
47	47-5600	SPOOL (COMPLETE)	117	117-5600	DRIVE PLATE
47C	47C-5600	DRAG COVER	132	132-5600	LINE ROLLER WASHER
47D	47D-5600	LINE CLIP	227	227-5600	BAIL TRIP COVER
48	48-5600	CLICK TONGUE W/SPRING	231	231-5600	CROSSWIND GEAR
51	51-650	RETAINING RING	233	233-5600	BEARING COVER
52	52-5600	DRAG KNOB (COMPLETE)			

NOTE: Many of www.pennparts.com schematics include changes that were either made by Penn, or errors found and corrected by our parts dept.

SBT Ver. 120408 (based on Penn's Rev.5 0 4/13/06)

## HANDLE NOTES

### ORIGINAL RELEASE:

15	15-650	HANDLE (original)
15C	15C-650	PIVOT SCREW
15G	15G-5600	HANDLE PIVOT
16	16-5600	COLLAR
	15-5600	HANDLE (original complete)

### 2004 NEW STYLE HANDLE

15	15-560	HANDLE NEW GOLD COMPLETE
15C	15C-650	PIVOT SCREW
15G	15G-5600	HANDLE PIVOT
16	16-560	COLLAR