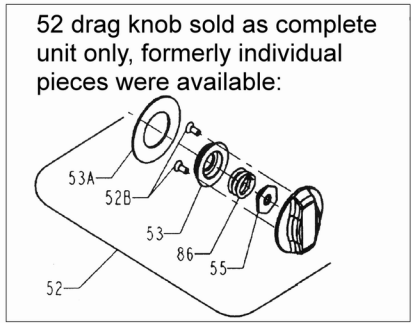
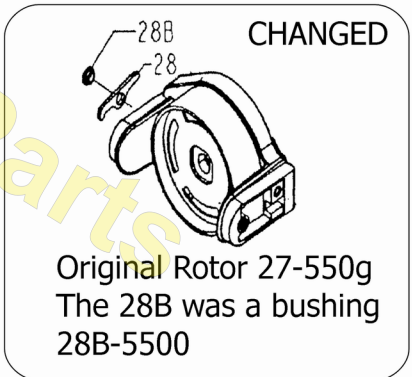
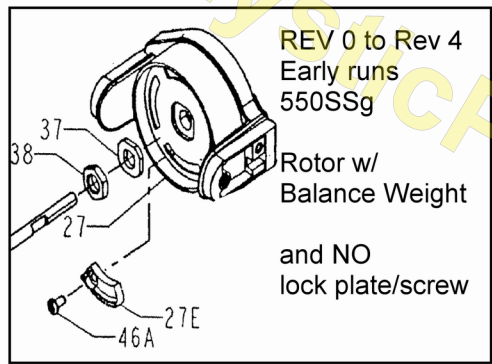
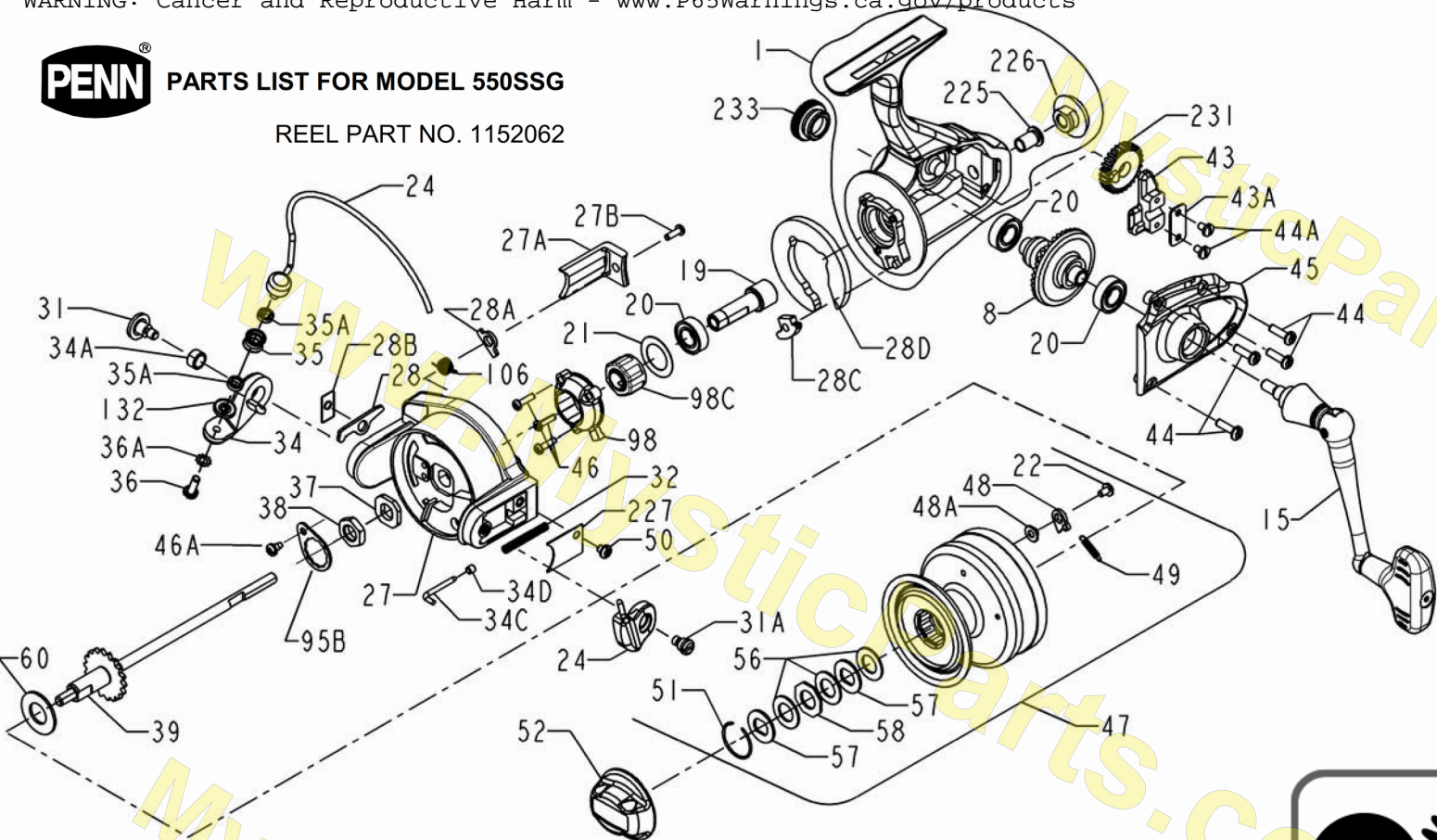




PARTS LIST FOR MODEL 550SSG

REEL PART NO. 1152062



mysticparts.com

**MYSTIC
REEL PARTS**

965 Radio Road
Little Egg Harbor, NJ 08087
+1 (609) 296-1300
www.mysticparts.com
customerservice@mysticparts.com

MRP Ver 101922
(BASED ON PENN'S REV. 11, 10-4-10)

Penn Reel Parts list for Model: 550SSg

KEY NO	7 DIGIT #	PUREFISHING PART NO.	DESCRIPTION
1	1180529	1-550G	HOUSING
8	1181134	8N-5500	MAIN GEAR
15	1181481	15-550G	HANDLE
15C	1181550	15C-650	HANDLE PIVOT SCREW
15G	1191185	15G-550G	HANDLE PIVOT
16	1191197	16-550G	HANDLE COLLAR
19	1191243	19-550G	PINION
20	1181792	20-722	BALL BEARING
21	1192638	21-550G	BEARING COVER
22 See SPOOL CLICK SCREW info below			
24	1191312	24-550G	BAIL WIRE
27, 27E, 28B, 46, 46A2, 95B See ROTOR info below			
27A	1182326	27A-5500	BAIL TRIP COVER
27B	1182338	27B-420	ROTOR END SCREW
28	1182401	28-5500	TRIP LEVER
28A	1182426	28A-440	CAM LEVER
28C	1182451	28C-440	TRIP CAM
28D	1191509	28D-550G	FRICTION RING
31	1182671	31-550	BAIL ARM SCREW
31A	1182689	31A-550G	TRIP ARM SCREW
32	1182732	32-5600	BAIL SPRING
34	1182819	34-450	BAIL ARM
34A	1182845	34A-550	BAIL ARM BUSHING
34C	1191655	34C-550G	PIVOT ARM
34D	1191663	34D-550G	PIVOT ARM BUSHING
35	1182931	35-550G	LINE ROLLER
35A	1182965	35A-8500J	BALL BEARING
36	1183016	36-750	BAIL STUD SCREW
36A	1183032	36A-750	LOCK WASHER
37	1183077	37-450	ROTOR WASHER
38	1183153	38-550	ROTOR NUT
39	1191755	39-550G	SPOOL SHAFT

KEY NO	7 DIGIT #	PUREFISHING PART NO.	DESCRIPTION
43	1191808	43-550G	CROSSWIND BLOCK
43A	1183425	43A-550	CROSSWIND BLOCK PLATE
44	1183458	44-704	COVER SCREW (4 REQUIRED)
44A See CROSSWIND BLOCK SCREW PAGE 3			
45	1191872	45-550G	HOUSING COVER
46	1183567	46-4300	CLUTCH RETAINER SCREW (3 REQUIRED)
47	1191940	47-550G	SPOOL
48	1183722	48-750	CLICK TONGUE
48A	1183741	48A-750	CLICK TONGUE WASHER
49	1183766	49-710	CLICK TONGUE SPRING
50	1183766	50-712	BAIL SPRING COVER SCREW
51	1183796	51-710	RETAINING RING
52 See DRAG KNOB info below			
56	1183907	56-710	DRAG WASHER-HT 100 (3 REQUIRED)
57	1183938	57-710	METAL KEYED WASHER (2 REQUIRED)
58	1183961	58-710	METAL WASHER (OCTAGON)
60	1183999	60-550	THRUST WASHER (TEFLON)
98	1192201	98-550G	CLUTCH RETAINER
98C See CLUTCH BEARING info below			
106	1184432	106-5500	LEVER SPRING
132	1184589	132-5500J	ROLLER WASHER
225	1185005	225-5500	SPOOL SHAFT BUSHING
226	1192462	226-550G	REAR CAP
227	1185045	227-440	BAIL SPRING COVER
231	1192505	231-550G	CROSSWIND GEAR
233	1185145	233-550G	BEARING COVER
**	NLA	237-550G	Decal, Housing ("Penn 450SSg")
**	NLA	238-550G	Decal, Housing (Reel Speed)
**	NLA	240-550G	Decal, Spool (Line Capacity)

** not shown on schematic

ROTOR INFO DESIGN CHANGES:

ORIGINAL DESIGN

KEY	PUREFISHING PART		
NO	7 DIGIT #	NO.	DESCRIPTION
27	NLA	27-550G	ROTOR, ORIGINAL
28B	1191469	28B-5500	TRIP LEVER BUSHING (ROUND)
27E	1191469	27E-550G	BALANCE WEIGHT
46A2	1183586	46A-704	BALANCE WEIGHT SCREW

NEWER DESIGN

KEY	PUREFISHING PART		
NO	7 DIGIT #	NO.	DESCRIPTION
27	1191418	27N-550G	ROTOR (NEWER TYPE)
28B	1191501	28B-550g	TRIP LEVER WASHER (RECTANGULAR)
95B	1184312	95B-70	ROTOR LOCKING PLATE
46A	1224252	46A-550G	SCREW, FOR LOCKING PLATE

CHANGED: We do not know why Penn made the change to NOT use the balance weight on later 550SSG per rev 11

22 SPOOL CLICK SCREW and 44A CROSSWIND BLOCK SCREW CHANGED

22 & 44A	1181922	22-750	SCREW w/straight pan head (EARLY SSg REELS)
TWO KEY#S	1186969	48B-750M	SCREW w/phillips flat head (LATER SSg REELS) LOWER PROFILE
SCREWS 4-40X .187 LONG -- SCREWS APPEAR TO BE INTERCHANGEABLE BUT THE PHILLIPS HEAD SITS LOWER			

CLUTCH BEARING ASSEMBLY (aka A/R Bearing)

98B	NLA	98B-360	BEARING	98C	1192216	98C-550G	CLUTCH BEARING ASSEMBLY
98S	NLA	98S-550G	CLUTCH BEARING SLEEVE				

98C ASSEMBLY REPLACES 98B and 98S

DRAG KNOB

52	1183823	52-550G	DRAG KNOB ASSEMBLY
52A	1183843	52A-260	SELF TAPPING SCREW
53	1183844	53-5500I	DRAG KNOB INSERT
53A	1183847	53A-6500	DRAG KNOB SEAL
86	1183862	54-440	DRAG KNOB SPRING
55	1183890	55-550	DRAG KNOB NUT

KNOB NOW ONLY SOLD AS THE ASSEMBLY PER PENN 2018

So the sub-parts may become unavailable over time

SERVICE NOTES:

35B 35B-550G (HAS NEVER BEEN MADE AVAILABLE, NON-SERVICEABLE)
LINE ROLLER SPACER (on orig. schematic but not on new schem/first run reels)

MYSTIC REEL PARTS REVISION!

NOTE: Many of www.mysticparts.com schematics include changes that were either made by Penn, or errors found and corrected by our parts dept.
MRP Ver 101922 DRAWING (BASED ON PENN'S REV. 11, 10-4-10)
MRP Ver 022424 TEXT PARTS LIST (BASED ON PENN'S REV. 11, 10-4-10)