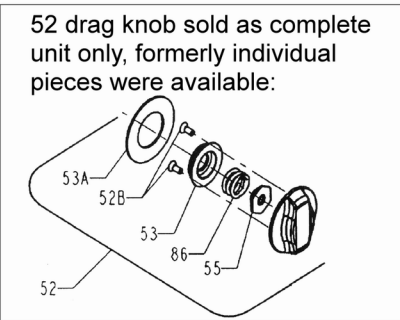
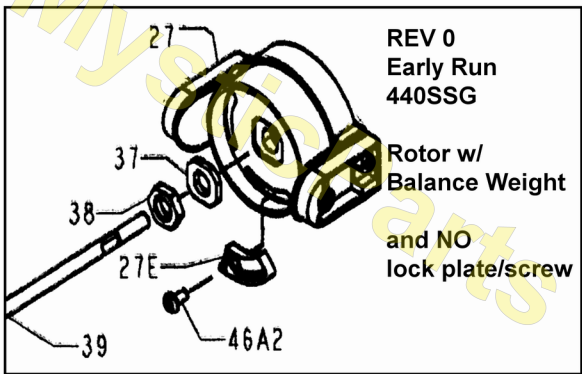
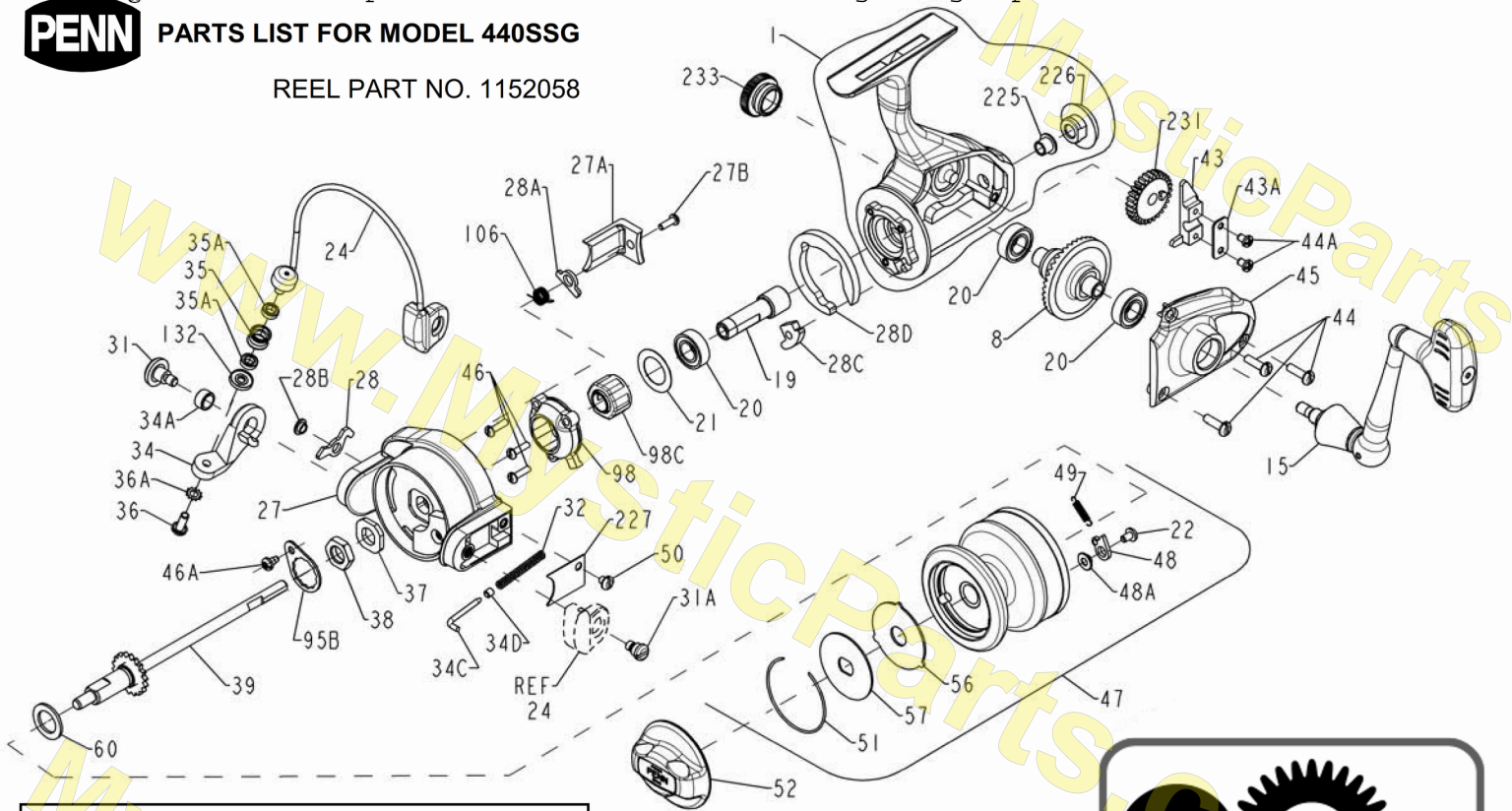




# PARTS LIST FOR MODEL 440SSG

REEL PART NO. 1152058



mysticparts.com

## MYSTIC REEL PARTS

965 Radio Road  
Little Egg Harbor, NJ 08087  
+1 (609) 296-1300  
www.mysticparts.com  
customerservice@mysticparts.com

**MRP Ver 101922**  
**(BASED ON PENN'S REV. 9, 10-4-10)**

# Penn Reel Parts list for Model: 440SSg

## KEY PUREFISHING PART

| NO   | 7 DIGIT # | NO.       | DESCRIPTION        |
|--|-----------|-----------|--------------------|
| 1  | 1180512   | 1-440G    | HOUSING            |
| 8  | 1181133   | 8N-4400   | MAIN GEAR          |
| 15   | 1181470   | 15-440G   | HANDLE             |
| 15C  | 1181550   | 15C-650   | HANDLE PIVOT SCREW |
| 15G  | 1181556   | 15G-5600  | HANDLE PIVOT       |
| 16   | 1191196   | 16-440G   | HANDLE COLLAR      |
| 19   | 1191239   | 19-440G   | PINION             |
| 20   | 1181792   | 20-722    | BALL BEARING       |
| 21   | 1192638   | 21-550G   | BEARING COVER      |
| <b>22 See SPOOL CLICK SCREW PAGE 3</b>         |           |           |                    |
| 24   | 1191303   | 24-440G   | BAIL WIRE          |
| <b>27, 27E, 46, 46A2, 95B See ROTOR PAGE 3</b> |           |           |                    |
| 27A  | 1182321   | 27A-440   | BAIL TRIP COVER    |
| 27B  | 1182338   | 27B-420   | ROTOR END SCREW    |
| 28   | 1182394   | 28-440    | TRIP LEVER         |
| 28A  | 1182426   | 28A-440   | CAM LEVER          |
| 28B  | 1182441   | 28B-440   | TRIP LEVER BUSHING |
| 28C  | 1182451   | 28C-440   | TRIP CAM           |
| 28D  | 1191507   | 28D-440G  | FRICTION RING      |
| 31   | 1182671   | 31-550    | BAIL ARM SCREW     |
| 31A  | 1182689   | 31A-550G  | TRIP ARM SCREW     |
| 32   | 1182732   | 32-5600   | BAIL SPRING        |
| 34   | 1182819   | 34-450    | BAIL ARM           |
| 34A  | 1182845   | 34A-550   | BAIL ARM BUSHING   |
| 34C  | 1191655   | 34C-550G  | PIVOT ARM          |
| 34D  | 1191663   | 34D-550G  | PIVOT ARM BUSHING  |
| 35   | 1182931   | 35-550G   | LINE ROLLER        |
| 35A  | 1182965   | 35A-8500J | BALL BEARING       |
| 36   | 1183016   | 36-750    | BAIL STUD SCREW    |
| 36A  | 1183032   | 36A-750   | LOCK WASHER        |
| 37   | 1183077   | 37-450    | ROTOR WASHER       |

## KEY PUREFISHING PART

| NO                                   | 7 DIGIT # | NO.       | DESCRIPTION                        |
|--------------------------------------|-----------|-----------|------------------------------------|
| 38                                   | 1183153   | 38-550    | ROTOR NUT                          |
| 39                                   | 1183215   | 39-440    | SPOOL SHAFT                        |
| 43                                   | 1183390   | 43-440G   | CROSSWIND BLOCK                    |
| 43A                                  | 1191819   | 43A-4400  | CROSSWIND BLOCK PLATE              |
| 44                                   | 1183458   | 44-704    | COVER SCREW (4 REQUIRED)           |
| 44A                                  | 1183452   | 44-4400   | CROSSWIND BLOCK SCREW              |
| 45                                   | 1191868   | 45-440G   | HOUSING COVER                      |
| 46                                   | 1183567   | 46-4300   | CLUTCH RETAINER SCREW (3 REQUIRED) |
| 47                                   | 1191932   | 47-440G   | SPOOL                              |
| 48                                   | 1183709   | 48-450    | CLICK TONGUE                       |
| 48A                                  | 1183722   | 48A-750   | CLICK TONGUE WASHER                |
| 49                                   | 1183741   | 49-710    | CLICK TONGUE SPRING                |
| 50                                   | 1183766   | 50-712    | BAIL SPRING COVER SCREW            |
| 51                                   | 1183792   | 51-440    | RETAINING RING                     |
| <b>52 See DRAG KNOB PAGE 3</b>       |           |           |                                    |
| 56                                   | 1183906   | 56-440    | DRAG WASHER-HT 100                 |
| 57                                   | 1183932   | 57-440    | METAL KEYED WASHER                 |
| 60                                   | 1183995   | 60-450    | THRUST WASHER (TEFLON)             |
| 98                                   | 1192201   | 98-550G   | CLUTCH RETAINER                    |
| <b>98C See CLUTCH BEARING PAGE 3</b> |           |           |                                    |
| 106                                  | 1184432   | 106-5500  | LEVER SPRING                       |
| 132                                  | 1184589   | 132-5500J | ROLLER WASHER                      |
| 225                                  | 1192452   | 225-440G  | SPOOL SHAFT BUSHING                |
| 226                                  | 1192462   | 226-550G  | REAR CAP                           |
| 227                                  | 1185045   | 227-440   | BAIL SPRING COVER                  |
| 231                                  | 1185079   | 231-440G  | CROSSWIND GEAR                     |
| 233                                  | 1185145   | 233-550G  | BEARING COVER                      |
| **                                   | NLA       | 237-440G  | Decal, Housing ("Penn 440SSg")     |
| **                                   | NLA       | 238-440G  | Decal, Housing (Reel Speed)        |
| **                                   | NLA       | 240-440G  | Decal, Spool (Line Capacity)       |

\*\* not shown on schematic

## ROTOR INFO:

NOTE: Currently manufactured 27-440G rotor cup is marked 27-4400-1, with balance weight included.

The difference is the underside of the rotor where the shaft goes through is filed down to fit the 440G reels.

CHANGED: We do not know why Penn made the change to NOT use the balance weight on later 440SSG per rev 9

|      |         |          |   |
|------|---------|----------|---|
| 27   | 1191412 | 27-440G  | ROTOR   |
| 27E  | 1182345 | 27E-5500 | BALANCE WEIGHT (Not on later manufactured 440ssg reels)       |
| 46A2 | 1183586 | 46A-704  | BALANCE WEIGHT SCREW (Not on later manufactured 440ssg reels) |
| 95B  | 1222690 | 95B-440G | ROTOR LOCKING PLATE (Not on early 440ssg schematics)          |
| 46A  | 1224252 | 46A-550G | SCREW, FOR LOCKING PLATE (Not on early 440ssg schematics)     |

## SPOOL CLICK SCREW CHANGED

|    |                |                 |   |
|----|----------------|-----------------|---|
| 22 | 1181922        | 22-750          | SPOOL CLICK SCREW w/straight pan head (EARLY REELS)                       |
|    | <b>1186969</b> | <b>48B-750M</b> | <b>SPOOL CLICK SCREW w/phillips flat head (LATER REELS) LOWER PROFILE</b> |

**SCREWS 4-40X .187 LONG -- SCREWS APPEAR TO BE INTERCHANGEABLE BUT THE PHILLIPS HEAD SITS LOWER**

## CLUTCH BEARING ASSEMBLY (aka A/R Bearing)

|     |     |          |                       |            |                |                 |                                |
|-----|-----|----------|-----------------------|------------|----------------|-----------------|--------------------------------|
| 98B | NLA | 98B-360  | BEARING               | <b>98C</b> | <b>1192216</b> | <b>98C-550G</b> | <b>CLUTCH BEARING ASSEMBLY</b> |
| 98S | NLA | 98S-550G | CLUTCH BEARING SLEEVE |            |                |                 |                                |

\*\*\*98C ASSEMBLY REPLACES 98B and 98S\*\*\*

## DRAG KNOB

|     |         |          |                    |
|-----|---------|----------|--------------------|
| 52  | 1183817 | 52-440G  | DRAG KNOB ASSEMBLY |
| 52A | 1183843 | 52A-260  | SELF TAPPING SCREW |
| 53  | 1192011 | 53-4400i | DRAG KNOB INSERT   |
| 53A | 1192014 | 53A-440G | DRAG KNOB SEAL     |
| 86  | 1183862 | 54-440   | DRAG KNOB SPRING   |
| 55  | 1183890 | 55-550   | DRAG KNOB NUT      |

*KNOB NOW ONLY SOLD AS THE ASSEMBLY PER PENN 2018*

So the sub-parts may become unavailable over time

### MYSTIC REEL PARTS REVISION!

NOTE: Many of [www.mysticparts.com](http://www.mysticparts.com) schematics include changes that were either made by Penn, or errors found and corrected by our parts dept.

MRP Ver 101922 (BASED ON PENN'S REV. 9, 10-4-10)

### SERVICE NOTES:

35B 35B-550G (HAS NEVER BEEN MADE AVAILABLE, NON-SERVICEABLE)

LINE ROLLER SPACER (on orig. schematic but not on new schem/first run reels)