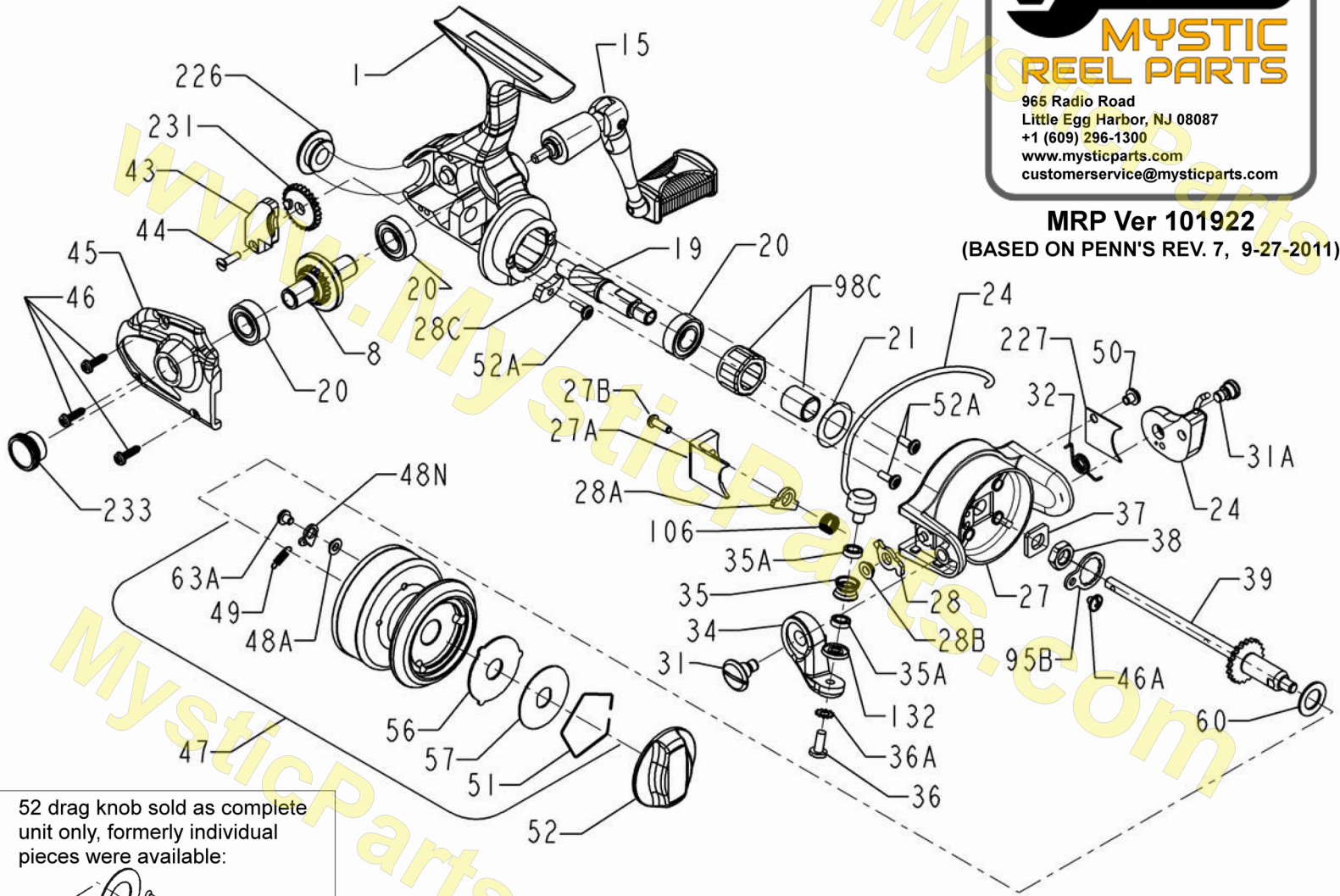




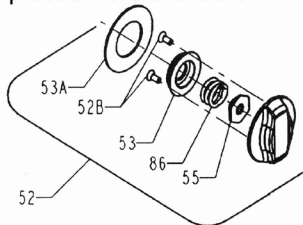
**PARTS LIST FOR MODEL 430SSG REEL PART NO. 1152057**

mysticparts.com  
**MYSTIC REEL PARTS**  
965 Radio Road  
Little Egg Harbor, NJ 08087  
+1 (609) 296-1300  
www.mysticparts.com  
customerservice@mysticparts.com

**MRP Ver 101922**  
(BASED ON PENN'S REV. 7, 9-27-2011)



52 drag knob sold as complete unit only, formerly individual pieces were available:



Penn Reel Parts list for: Model: 430SSg

KEY NO	PUREFISHING 7 DIGIT #	Penn PART NO.	DESCRIPTION
1	1180509	1-430G	HOUSING
8	1181083	8-430G	MAIN GEAR
<b>15 See Handle Info below</b>			
19	1191238	19-430G	PINION
20	1181792	20-722	BALL BEARING
21	1192635	21-430G	BEARING COVER
24	1191301	24-430G	BAIL WIRE
27	1191410	27-430G	ROTOR
27A	1182320	27A-430G	BAIL TRIP COVER
27B	1182338	27B-420	ROTOR END SCREW
28	1182393	28-420	TRIP LEVER
28A	1182426	28A-440	CAM LEVER
28B	1182441	28B-440	TRIP LEVER BUSHING
28C	1192674	28C-420G	TRIP CAM
31	1191568	31-430G	BAIL ARM SCREW
31A	1182689	31A-550G	TRIP ARM SCREW
32	1182725	32-420	BAIL SPRING
34	1182818	34-420	BAIL ARM
35	1182931	35-550G	LINE ROLLER
35A	1182965	35A-8500J	BALL BEARING
36	1183016	36-750	BAIL STUD SCREW
36A	1183032	36A-750	LOCK WASHER
37	1183076	37-420	ROTOR WASHER
38	1183158	38-720	ROTOR NUT
39	1191752	39-430G	SPOOL SHAFT
43	1191804	43-430G	CROSSWIND BLOCK
44	1183443	44-260	CROSSWIND BLOCK SCREW

KEY NO	PUREFISHING 7 DIGIT #	Penn PART NO.	DESCRIPTION
45	1191867	45-430G	HOUSING COVER
46	1191902	46-430G	COVER SCREW (3 REQUIRED)
46A	1235665	46a-420	RETAINING PLATE SCREW (ADDED)
47	1191930	47-430G	SPOOL
48A	1183720	48A-4300	CLICK TONGUE WASHER
48N	1183727	48N-4300	CLICK TONGUE
49	1183737	49-4300	CLICK TONGUE SPRING
50	1183766	50-712	BAIL SPRING COVER SCREW
51	1191977	51-430G	RETAINING RING
52	1183816	52-430G	DRAG KNOB ASSEMBLY
52A	1183843	52A-260	SELF TAPPING SCREW
56	1183905	56-4200	DRAG WASHER-HT 100
57	1183930	57-4200	METAL KEYED WASHER
60	1184006	60-716	THRUST WASHER (TEFLON)
63A	1184057	63A-2.5FR	CLICK SPRING SCREW
95B	1235666	95B-420	RETAINING PLATE (ADDED)
<b>98C See CLUTCH BEARING info below</b>			
106	1184432	106-5500	LEVER SPRING
132	1184589	132-5500J	ROLLER WASHER
226	1192459	226-430G	REAR CAP
227	1185044	227-4300	BAIL SPRING COVER
231	1192504	231-430G	CROSSWIND GEAR
233	1185140	233-430G	BEARING COVER
**	NLA	237-430G	Decal, Housing ("Penn 430SSg")
**	NLA	238-430G	Decal, Housing (Reel Speed)
**	NLA	240-430G	Decal, Spool (Line Capacity)

\*\* not shown on schematic

**DRAG KNOB**

52	1183816	52-430G	DRAG KNOB ASSEMBLY
52B	1192008	52A-430G	SELF TAPPING SCREW
53	1192009	53-430G	DRAG KNOB INSERT
53A	1192012	53A-430G	DRAG KNOB SEAL
54	NLA	54-430	DRAG SPRING
55	1192027	55-430G	DRAG KNOB NUT
86	1184263	86-5600	DRAG KNOB SPRING

*KNOB NOW ONLY SOLD AS THE ASSEMBLY PER PENN 2018*

So the sub-parts may become unavailable over time

**Parts non-servicable - design changed**

28D	28D-430G	FRICTION RING **
225	225-430G	SPOOL SHAFT BUSHING **

**Handle (Sub components may become unavailable)**

15	1181469	15-430G	HANDLE ASSEMBLY
15C	1181550	15C-650	HANDLE PIVOT SCREW
15G	1191183	15G-430G	HANDLE PIVOT
16	1191195	16-430G	HANDLE COLLAR

**CLUTCH BEARING ASSEMBLY (aka A/R Bearing)**

98B	1192209	98B-420G	BEARING	98C	1192216	98C-550G	CLUTCH BEARING ASSEMBLY
98S	NLA	98S-550G	CLUTCH BEARING SLEEVE				

\*\*\*98C ASSEMBLY REPLACES 98B and 98S\*\*\*

**MYSTIC REEL PARTS REVISION!**

NOTE: Many of www.mysticparts.com schematics include changes that were either made by Penn, or errors found and corrected by our parts dept.

MRP Ver 101922 (BASED ON PENN'S REV. 7, 9-27-2011)