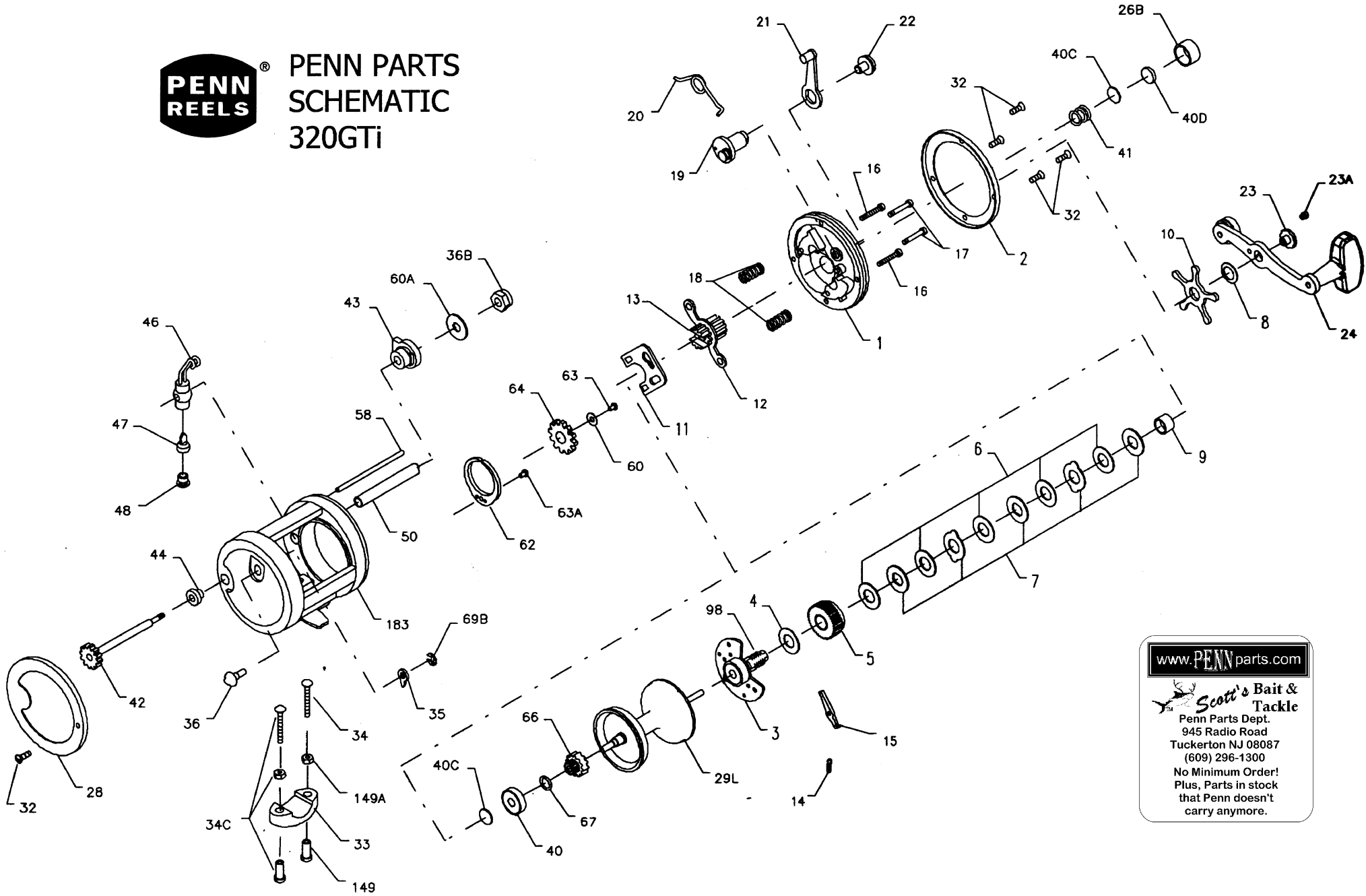




PENN PARTS SCHEMATIC 320GTi



www.PENNparts.com

Scott's Bait & Tackle
Penn Parts Dept.
945 Radio Road
Tuckerton NJ 08087
(609) 296-1300
No Minimum Order!
Plus, Parts in stock
that Penn doesn't
carry anymore.

Penn Reel Parts list for:

Model: 320GTi

KEY PART			KEY PART		
NO	NO.	DESCRIPTION	NO	NO.	DESCRIPTION
1	1-320	RIGHT SIDE PLATE	34	34-45	CLAMP SCREW ONLY
2	2-320	RIGHT SIDE RING	34C	34C-45	CLAMP SCREW W/ NUTS
3	3-320	BRIDGE ASSEMBLY	35	35-320	CLICK TONGUE
4	4-349	FIBER WASHER	36	36-320	CLICK BUTTON
5	5N-320	MAIN GEAR	36B	36-700	WORM SHAFT NUT
6	6-320	FRICTION DRAG WAHSER (5 REQ.)	40	40-320	BALL BEARING
7	7C-113H	METAL DRAG WASHER (SET OF 5)	40C	40C-320	METAL THRUST WASHER (2 REQ.)
8	8-349	TENSION SPRING	40D	40D-320	RUBBER THRUST WASHER
9	9-320	SPACING SLEEVE	41	41-330	RIGHT SIDE THRUST SPRING
10	10-349	STAR DRAG	42	42-320N	WORM
11	11-320	ECCENTRIC JACK	43	43-330	RIGHT SIDE WORM BEARING
12	12-155	PINION YOKE	44	44-330	LEFT SIDE WORM BUSHING
13	13N-320	PINION GEAR	46	46-320N	LINE GUIDE CARRIAGE
14	14-330	DOG SPRING	47	47-320	PAWL
15	15-320	DOG	48	48-330N	PAWL COVER SCREW
16	16-113H	LOWER BRIDGE SCREW (2 REQ.)	50	50N-320	WORM SHEILD
17	17-113H	UPPER BRIDGE SCREW (2 REQ.)	58	58-320	LINE GUIDE POST
18	18-60	CLUTCH SPRING (2 REQ.)	60	60-320	IDLER GEAR WASHER
19	19-320	ECCENTRIC CAM	60A	60-320	WORM NUT WASHER
20	20-155	ECCENTRIC SPRING	62	62-209	CLICK SPRING
21	21-285	ECCENTRIC LEVER ASSEMBLY	63	63-500S	IDLER GEAR SCREW
22	22-60CH	ECCENTRIC SCREW	63A	63-330	CLICK SPRING SCREW
23	23-114	HANDLE ASSEMBLY SCREW	64	64-320	IDLER GEAR
23A	110-60	HANDLE LOCK SCREW	66	66-320	SPOOL GEAR CLICK RATCHET
24	24-320	HANDLE ASSEMBLY	67	67-9	SPOOL GEAR LOCK RING
26B	26B-320	SPOOL TENSION CONTROL CAP	69B	69B-600	RETAINING RING (CLICK BUTTON)
28	28-320	LEFT SIDE RING	98	98-320	GEAR SLEEVE
29L	29L-320	ALUMINUM SPOOL	149	149-45	CLAMP NUT ONLY
32	32-17	SIDE PLATE SCREW (5 REQ.)	149A	149-200	HEX NUT ONLY
33	33-113	ROD CLAMP	183	183-320	FRAME
*	33R-200	RINGED ROD CLAMP (OPTIONAL)	* Not Shown		

NOTE: Many of www.pennparts.com schematics include changes that were either made by Penn, or errors found and corrected by our parts dept.