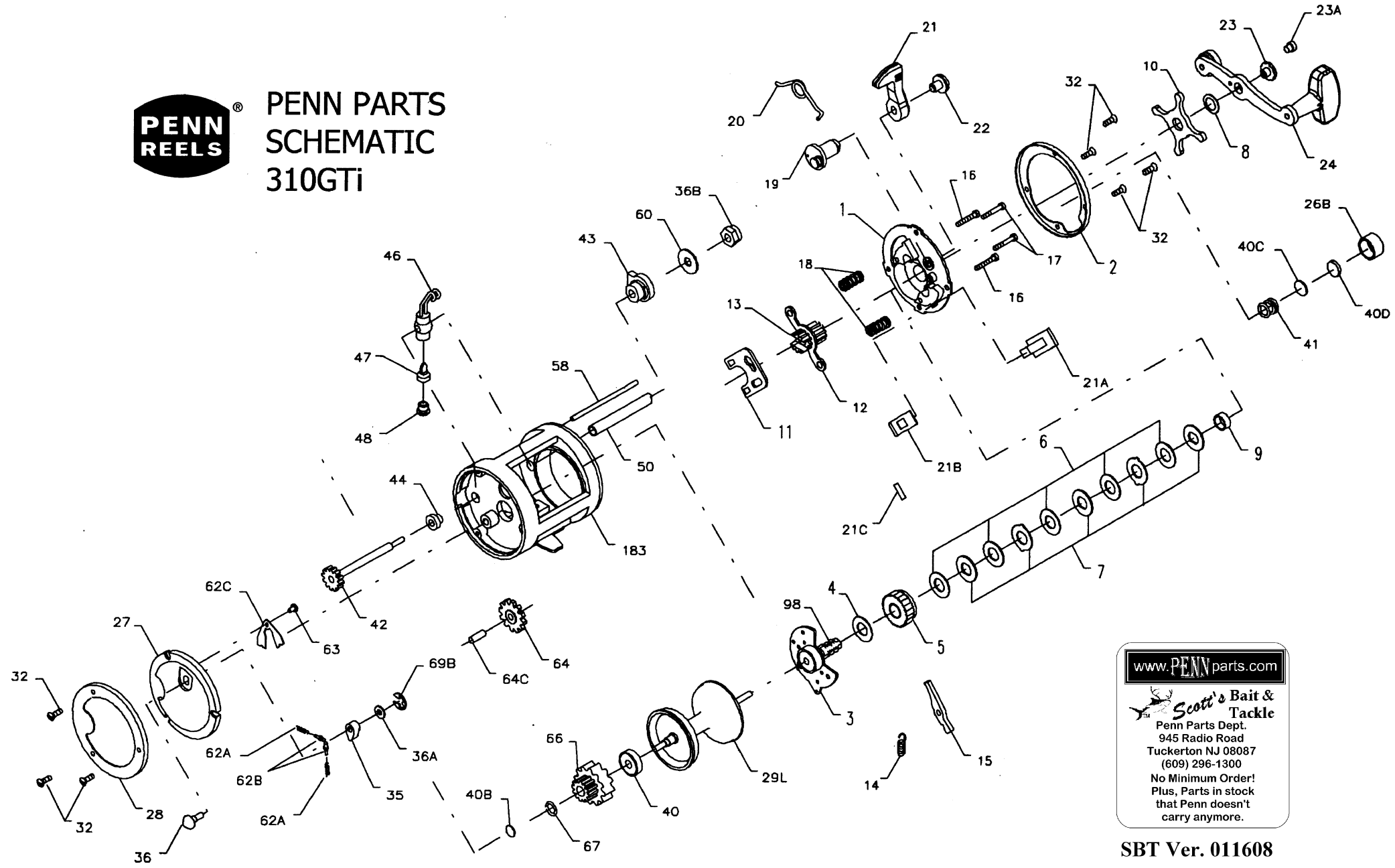




PENN PARTS SCHEMATIC 310GTi



www.PENNparts.com
Scott's Bait & Tackle
Penn Parts Dept.
945 Radio Road
Tuckerton NJ 08087
(609) 296-1300
No Minimum Order!
Plus, Parts in stock
that Penn doesn't
carry anymore.

Penn Reel Parts list for:

Model: 310GTi

KEY PART			KEY PART		
NO	NO.	DESCRIPTION	NO	NO.	DESCRIPTION
1	1-310	RIGHT SIDE PLATE	29L	29L-310	SPOOL
2	2-310	RIGHT SIDE RING	32	32-310	SIDE PLATE SCREW (7 REQ.)
3	3B-310	BRIDGE ASSEMBLY	35	35-310N	CLICK TONGUE
4	4-155	FIBER WASHER	36	36-310	CLICK BUTTON
5	5-310	MAIN GEAR	36A	36A-40	CLICK BUTTON WASHER
6	6-60	FRICTION DRAG WASHER (5 REQ.)	36B	36-700	WORM SHAFT NUT
7	7c-310	METAL DRAG WASHER (SET OF 5)	40	40-310	LEFT SIDE BEARING
8	8-60	TENSION SPRING	40B	40C-310	L.S. METAL THRUST WASHER
9	9-310	SPACING SLEEVE	40C	40C-320	R.S. METAL THRUST WASHER
10	10-310	STAR DRAG	40D	40D-320	RUBBER THRUST WASHER
11	11-310	ECCENTRIC JACK	41	41-330	RIGHT SIDE THRUST SPRING
12	12-9	PINION YOKE	42	42-310	WORM ASSEMBLY
13	13-310	PINION GEAR	43	43-330	RIGHT SIDE WORM BEARING
14	14-10	DOG SPRING	44	44-330	LEFT SIDE WORM BUSHING
15	15-310	DOG	46	46-310	LINE GUIDE CARRIAGE
16	16-310	LOWER BRIDGE SCREW (2 REQ.)	47	47-320	PAWL
17	17-310	UPPER BRIDGE SCREW (2 REQ.)	48	48-330N	PAWL COVER SCREW
18	18-9	CLUTCH SPRING (2 REQ.)	50	50N-310	WORM SHEILD
19	19-310	ECCENTRIC CAM	58	58-310	LINE GUIDE POST
20	20-109	ECCENTRIC SPRING	60	60-320	IDLE GEAR WASHER
21	21-310	ECCENTRIC LEVER	62A	62A-310	CLICK SPRING (2 REQ.)
21A	21A-310	DIRECT DRIVE BUTTON	62B	62B-310	CLICK PIN (2 REQ.)
21B	21B-310	DIRECT DRIVE BUTTON SPRING	62C	62C-310	CLICK SPRING COVER
21C	21C-310	DIRECT DRIVE BUTTON PIN	63	63-500S	CLICK SPRING SCREW
22	22-310	ECCENTRIC SCREW	64	64-310	IDLE GEAR
23	23-60	HANDLE ASSEMBLY SCREW	64C	64C-310	WORM GEAR IDLER SHAFT
23A	110-60	HANDLE LOCK SCREW	66	66-310	SPOOL GEAR
24	24-310	HANDLE ASSEMBLY	67	67-9	LOCK SPRING
26B	26B-310	SPOOL TENSION CONTROL CAP	69B	69B-600	RETAINING RING
27	27-310	LEFT SIDE PLATE	98	98-310	GEAR SLEEVE
28	28-310	LEFT SIDE RING	183	183-310	FRAME ASSEMBLY

NOTE: Many of www.pennparts.com schematics include changes that were either made by Penn, or errors found and corrected by our parts dept.

SBT Ver. 011608 (Penn's REV 5, 10/15/04)

3-310 replaced by 3B-310 - change of the bearing, we believe