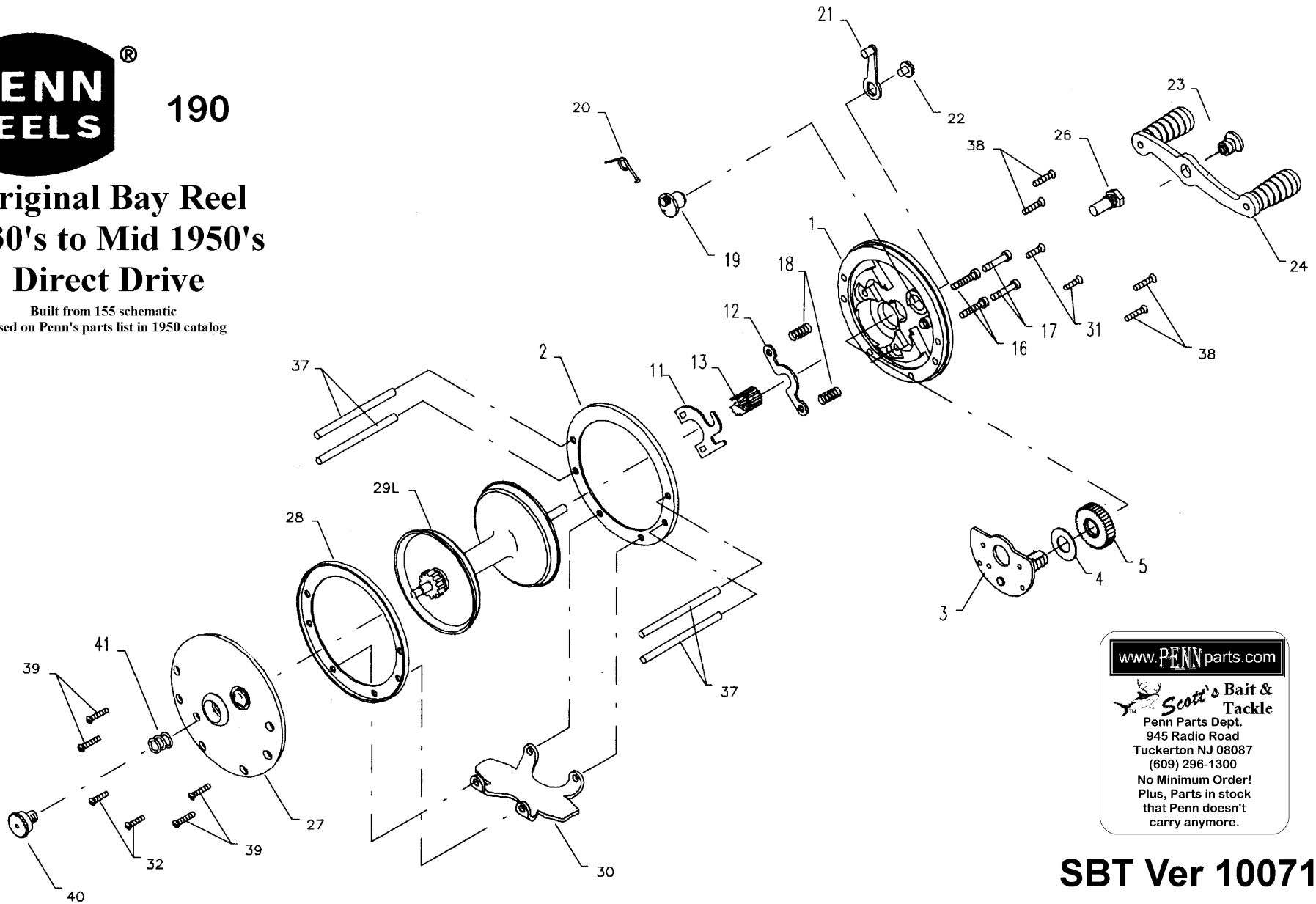




190

Original Bay Reel 1930's to Mid 1950's Direct Drive

Built from 155 schematic
based on Penn's parts list in 1950 catalog



www.PENNparts.com

Scott's Bait & Tackle
Penn Parts Dept.
945 Radio Road
Tuckerton NJ 08087
(609) 296-1300
No Minimum Order!
Plus, Parts in stock
that Penn doesn't
carry anymore.

SBT Ver 100710

Penn Reel Parts list for:

Model: 190 Original Bay Reel (1930s to mid-1950s)

| KEY PART | | | KEY PART | | |
|----------|----------|--------------------|----------|-----------|---|
| NO | NO. | DESCRIPTION | NO | NO. | DESCRIPTION |
| 1 | 1-190old | RIGHT SIDE PLATE | 23 | 23-85 | HANDLE SCREW |
| 3 | 3-165 | BRIDGE W/ SLEEVE | 24 | 24-109 | HANDLE, TWO KNOB |
| 4 | 4-155 | FIBER WASHER | 26 | 26-155 | RIGHT SIDE BEARING |
| 5 | 5-165 | MAIN GEAR | 27 | 27-190OLD | LEFT SIDE PLATE |
| 11 | 11-155 | ECCENTRIC JACK | 29 | 29L-100 | SPOOL, ALUMINUM (Old 29M Bronzed Metal, 29P Plastic Spools) |
| 12 | 12-155 | PINION YOKE | 30 | 30-180S | STAND |
| 13 | 13-155 | PINION | 31 | 32-16CH | R.S. STAND SCREW (2 REQ.) (OLD# 31-285) |
| 16 | 16-60CH | LOWER BRIDGE SCREW | 32 | 32-14CH | L.S. STAND SCREW (2 REQ.) (OLD# 32-155) |
| 17 | 17-60CH | UPPER BRIDGE SCREW | 37 | 37-180 | FRAME POST |
| 18 | 18-60 | CLUTCH SPRING | 38 | 38-8 | RIGHT SIDE PLATE SCREW (4 REQ.) (OLD#31-60) |
| 19 | 19-155 | ECCENTRIC | 39 | 32-22 | LEFT SIDE POST SCREW (4 REQ.) (OLD#31-155) |
| 20 | 20-155 | ECCENTRIC SPRING | 40 | 40-60 | LEFT SIDE BEARING |
| 21 | 21-155 | ECCENTRIC LEVER | 41 | 41-60 | LEFT SIDE BEARING SPRING |
| 22 | 22-60CH | ECCENTRIC SCREW | | | |

NOTE: Many of www.pennparts.com schematics include changes that were either made by Penn, or errors found and corrected by our parts dept.
 SBT Version 041407