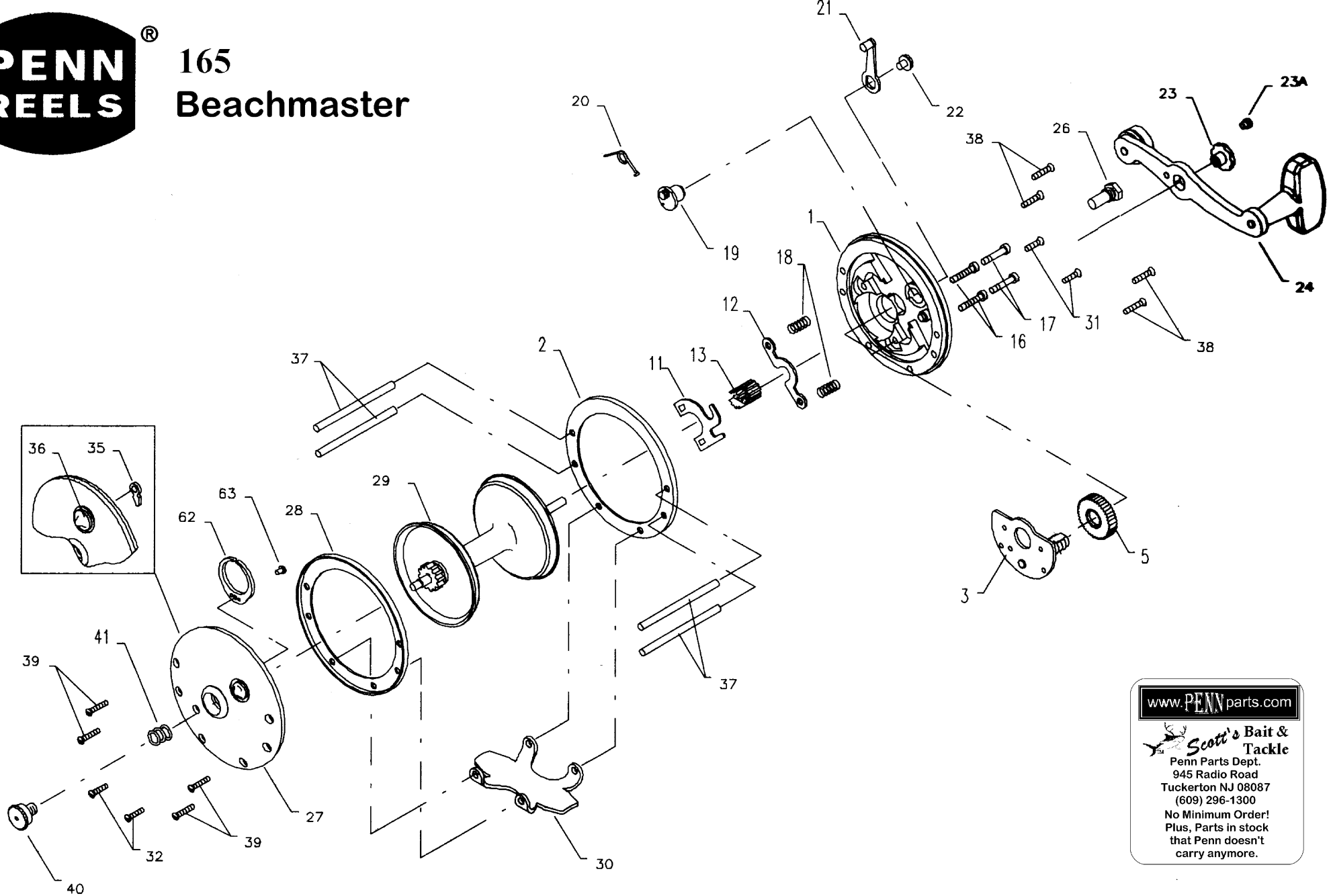


165 Beachmaster



www.PENNparts.com
Scott's Bait & Tackle
Penn Parts Dept.
945 Radio Road
Tuckerton NJ 08087
(609) 296-1300
No Minimum Order!
Plus, Parts in stock
that Penn doesn't
carry anymore.

Penn Reel Parts list for:

KEY	PART	DESCRIPTION
NO	NO.	
1	1-165	R.S. PLATE
2	2-155	R.S. RING
3	3-165	BRIDGE W/ SLEEVE
5	5-165	MAIN GEAR
11	11-155	ECCENTRIC JACK
12	12-155	PINION YOKE
13	13-155	PINION
16	16-60CH	LOWER BRIDGE SCREW
17	17-60CH	UPPER BRIDGE SCREW
18	18-60	CLUTCH SPRING
19	19-155	ECCENTRIC
20	20-155	ECCENTRIC SPRING
21	21-155	ECCENTRIC LEVER
22	22-60CH	ECCENTRIC SCREW
23	23-60	HANDLE SCREW
23A	110-60	HANDLE LOCK SCREW

Model:165

KEY	PART
NO	NO.
24	24N-160
26	26-155
27	27-155
28	2-155
29	29L-150
30	30-65
31	32-22
32	32-14CH
35	35-155
36	36-155CH
37	37-160
38	38-8
39	32-22
40	40-60
41	41-60
62	62-209
63	63-209

Beachmaster

DESCRIPTION
HANDLE
R.S.BEARING
L.S. PLATE
L.S. RING
SPOOL
STAND
R.S. STAND SCREW
L.S. STAND SCREW
CLICK TONGUE
CLICK BUTTON
FRAME POST
R.S. POST SCREW
L.S. POST SCREW
L.S. BEARING
SPRING BEARING
CLICK SPRING
CLICK SPRING SCREW

NOTE: Many of www.pennparts.com schematics include changes that were either made by Penn, or errors found and corrected by our parts dept.
 LAST UPDATE 2/19/04