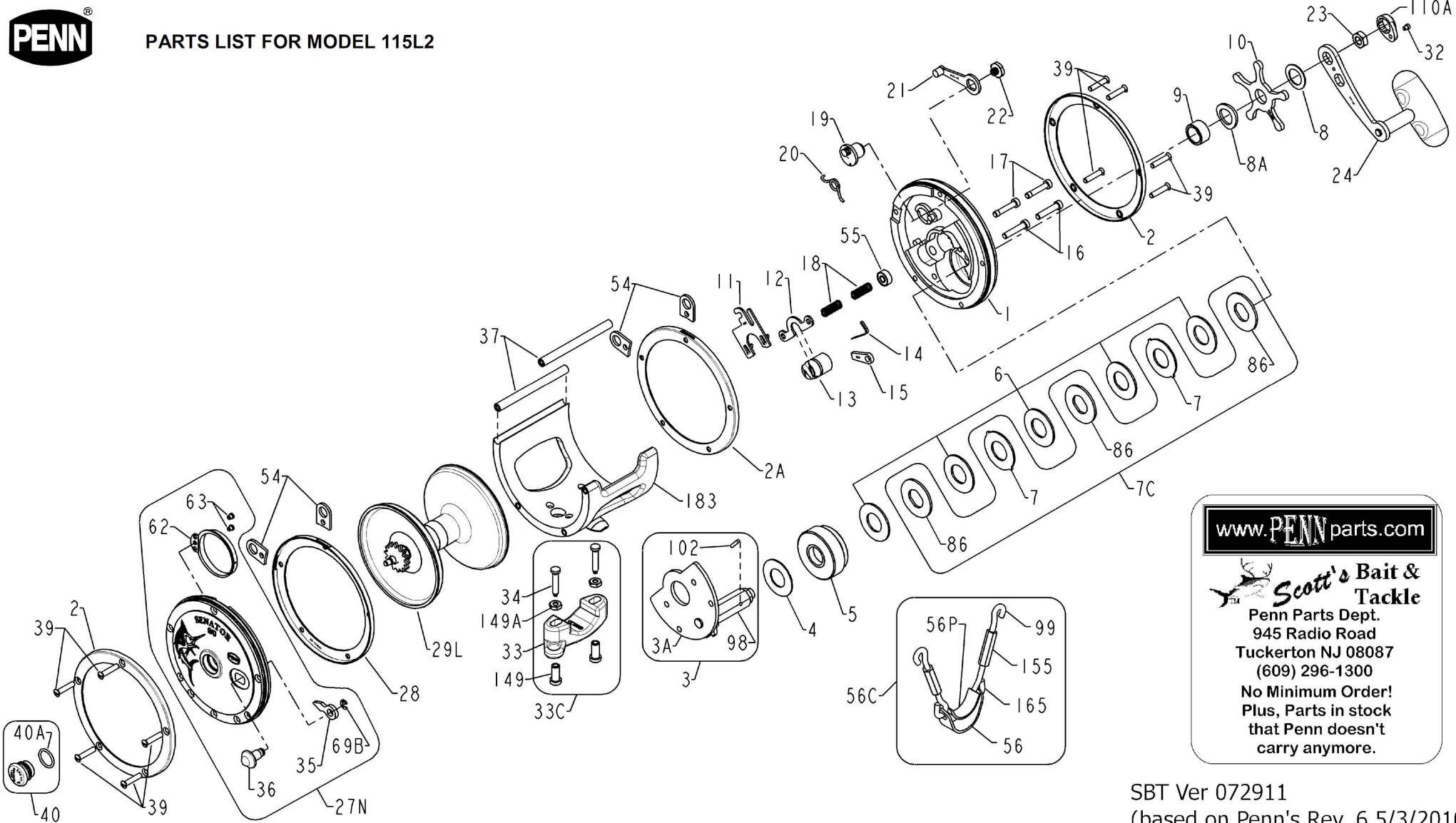




PARTS LIST FOR MODEL 115L2



www.PENNparts.com

Scott's Bait & Tackle
 Penn Parts Dept.
 945 Radio Road
 Tuckerton NJ 08087
 (609) 296-1300
No Minimum Order!
Plus, Parts in stock that Penn doesn't carry anymore.

SBT Ver 072911
 (based on Penn's Rev. 6 5/3/2010)

Penn Reel Parts list for Model: 115L2 9/0 Senator

KEY	PENN	Purefishing	DESCRIPTION	KEY	PENN	Purefishing	DESCRIPTION
NO	Part #	Part #		NO	Part #	Part #	
1	1-115L2	1197485	HANDLE SIDE PLATE	32	32-15	1182708	HANDLE NUT CAP SCREW
2	2-115L2O	1197492	OUTER SIDE RING (2 REQUIRED)	33	33-114H2	1197532	ROD CLAMP
2A	2-115L2i	1197491	INNER SIDE RING	*	*33R-114	1182779	RINGED ROD CLAMP (OPTIONAL)
3	3-115L2	1197504	BRIDGE W/ SLEEVE	33C	33C-114H2	1197532	ROD CLAMP KIT
3A	3-115L2-1	1197505	BRIDGE SUB-ASSEMBLY	34	34-16VS	1182786	CLAMP SCREW (2 REQUIRED)
4	4-115	1180766	FIBER WASHER	35	35-115	1182916	CLICK TONGUE
5	5-115	1180848	MAIN GEAR	36	36-115L	1199908	CLICK BUTTON
6	6-115	1180911	DRAG WASHER (5 REQUIRED)	37	37-115	1183069	FRAME POST (2 REQUIRED)
7	7-115	1181011	METAL DRAG WASHER EARRED	39	39-115L2	1197541	SIDE PLATE SCREW (10 REQUIRED)
7	7C-115	1181044	METAL DRAG WASHER SET	40	40-114H	1191766	NON-HANDLE SIDE BEARING
8	8-114	1181067	TENSION SPRING	40A	120-114H	1184523	O'RING FOR LS BEARING
8A	8-115	1181068	TENSION SPRING	54	54-114	1183857	HARNESS LUG (4 REQUIRED)
9	9-115L2	1223682	SPACING SLEEVE	55	55-116	1183882	HANDLE SIDE BEARING
10	10-114	1181185	STAR DRAG WHEEL	56	56-116	1183901	ROD BRACE (ONLY)
11	11-115	1181235	ECCENTRIC JACK	56C	56C-115	1183909	ROD BRACE COMPLETE
12	12-114	1181262	PINION YOKE	56P	56P-117	1183913	ROD BRACE PAD (ONLY)
13	13-115	1191106	PINION	62	62-114H2	1197546	CLICK SPRING
14	14-116	1181397	DOG SPRING	63	31-2.5FR	1182662	CLICK SPRING SCREW (2 REQUIRED)
15	15-115	1181439	DOG	69B	69B-4400	1184128	RETAINING RING
16	16-114	1181572	BRIDGE SCREW LOWER (2 REQUIRED)	86	86-115L	1184255	KEYED METAL WASHER (3 REQUIRED)
17	17-114	1181596	BRIDGE SCREW UPPER (2 REQUIRED)	98	98-114H2	1198891	GEAR SLEEVE (COMES WITH PIN)
18	18-114	1181618	CLUTCH SPRING	99	99-115	1184401	HOOK SCREW L.H. THREW (2 REQUIRED)
19	19-115	1181665	ECCENTRIC	102	102-114	1192231	PIN FOR GEAR SLEEVE
20	20-114	1181766	ECCENTRIC SPRING	110A	110A-114H2	1198893	PIN FOR GEAR SLEEVE
21	21-114	1181845	ECCENTRIC LEVER	149	149-45	1184702	CLAMP NUT (2 REQUIRED)
22	22-114H2	1197514	ECCENTRIC SCREW	149A	149-200	1184706	HEX NUT (2 REQUIRED)
23	23-114H2	1197515	HANDLE SCREW	155	155-115	1184724	TURN BUCKLE (2 REQUIRED)
24	24-114H2	1197519	HANDLE	165	165-115	1184797	HOOK SCREW R.H. THREAD (2 REQUIRED)
27	27N-115	1191474	NON-HANDLE SIDE PLATE	183	183-115L2	1198905	PIN FOR GEAR SLEEVE
28	28-115L2i	1197528	NON-HANDLE SIDE INNER				
29	29L-115	1182514	SPOOL-ALUMINUM				

** Not Shown*

NOTE: Many of www.pennparts.com schematics include changes that were either made by Penn, or errors found and corrected by our parts dept.

SBT Ver 101213 (based on Penn's Rev. 6 - 5/14/2010)